**READ ME !** 

Thank you for purchasing a Front Runner Mercedes Sprinter H2 Ladder.

Before you start, take a moment to familiarize yourself with the Fitting Instructions and the included components.

Refer to Page 2 for a list of all the components, quantities and tools required.

**IMPORTANT WARNING!** 

IT IS CRITICAL THAT ALL FRONT RUNNER PRODUCTS BE PROPERLY AND SECURELY ASSEMBLED AND ATTACHED TO YOUR VEHICLE. IMPROPER ATTACHMENT COULD RESULT IN AN AUTOMOBILE ACCIDENT, AND COULD CAUSE SERIOUS BODILY INJURY OR DEATH. YOU ARE RESPONSIBLE FOR ASSEMBLING AND SECURING ALL FRONT RUNNER PRODUCTS TO YOUR VEHICLE, CHECKING THE ATTACHMENTS PRIOR TO USE, AND PERIODICALLY INSPECTING THE PRODUCTS FOR ADJUSTMENT, WEAR AND DAMAGE. THEREFORE, YOU MUST READ AND UNDERSTAND ALL OF THE INSTRUCTIONS AND PRECAUTIONS SUPPLIED WITH YOUR FRONT RUNNER PRODUCT PRIOR TO INSTALLATION OR USE. IF YOU DO NOT UNDERSTAND ALL OF THE INSTRUCTIONS AND CAUTIONS, OR IF YOU HAVE NO MECHANICAL EXPERIENCE AND ARE NOT THOROUGHLY FAMILIAR WITH THE INSTALLATION PROCEDURES, YOU SHOULD HAVE THE PRODUCT INSTALLED BY A PROFESSIONAL INSTALLER OR OTHER QUALIFIED PERSONNEL.

**NOTE:** Front Runner will not be responsible for any damage caused by the failure to install the product according to these instructions.

Please call us if you have any questions about the installation of this product.



**1 GET ORGANIZED**

**IN THE BOX**

1	1 X	Ladder Top Assembly
2	10 X	M6 x 16 Button Head Bolt
3	2 X	Ladder Side Top
4	2 X	Ladder Side Bottom
5	2 X	Outer Joiner Channel
6	2 X	Inner Joiner Channel
7	1 X	Ladder Base Bracket
8	6 X	Rung
9	1 X	Ladder Base Mount Assembly
10	12 X	M6 x 25 Thread Forming Screw
11	10 X	M6 Nut Cap
12	13 X	M6 Nyloc Nut
13	3 X	M6 x 20 Button Head Bolt
14	3 X	M6 x 20 x 2 Flat Washer

**IN THE BOX**

15	2 X	M8 x 19 x 2 Flat Washer
16	4 X	M8 Nyloc Nut
17	2 X	M8 Nut Cap
18	1 X	Top Stopper Rubber
19	2 X	M8 x 16 Button Head Bolt

**TOOLS NEEDED**

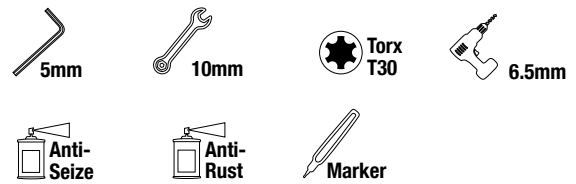
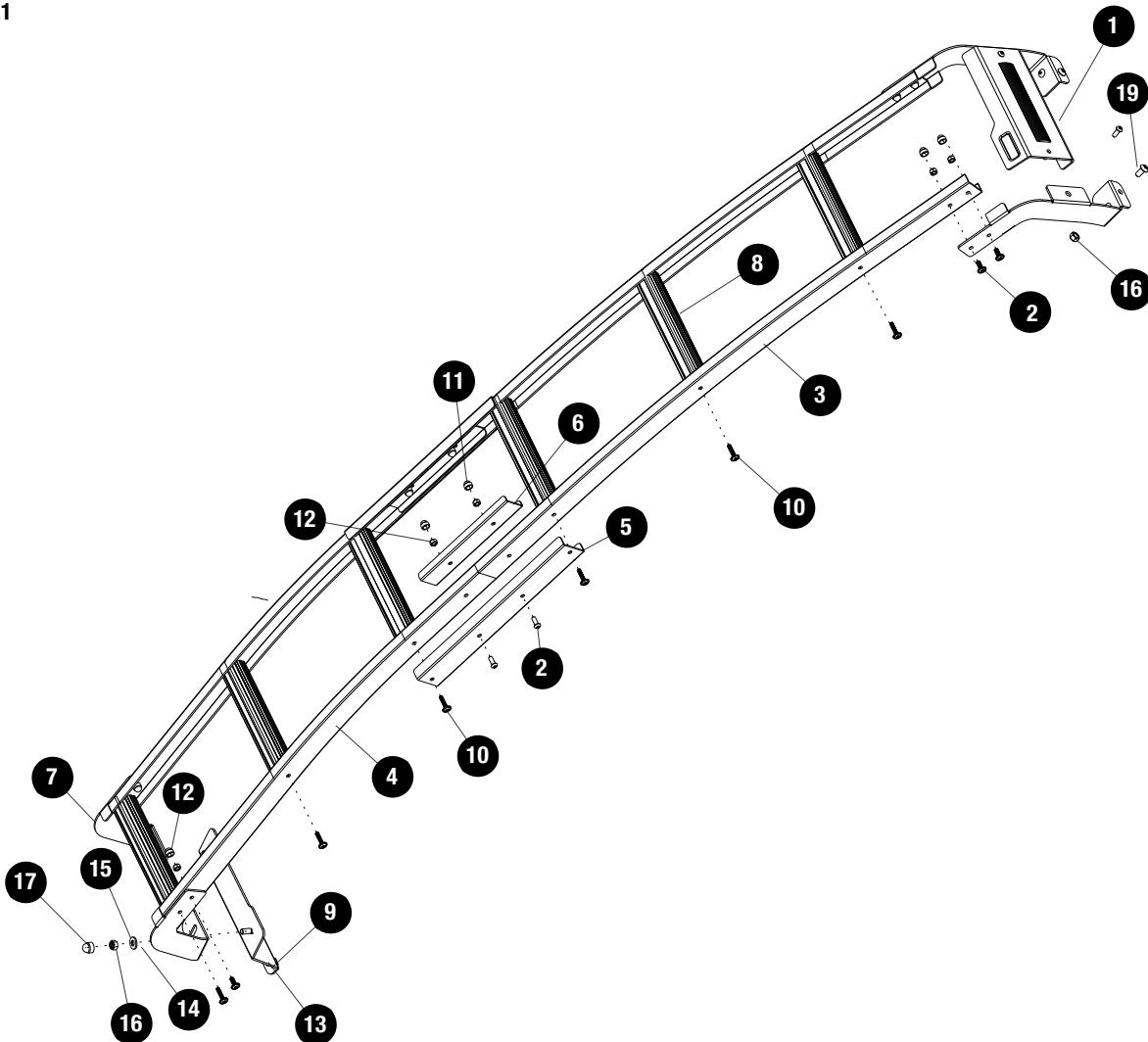


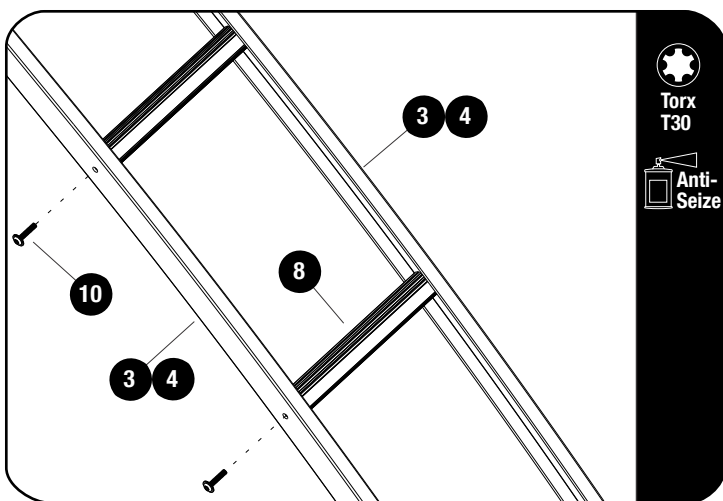
FIGURE 1.1



2

FIT AND SECURE

2.1



Apply a little Anti seize/oil on screw threads before inserting.



Secure the Ladder Rungs (Item 8) to the Top and Bottom Ladder Sides (Item 3 & 4) using M6 x 25 Thread Forming Screws (Item 10).

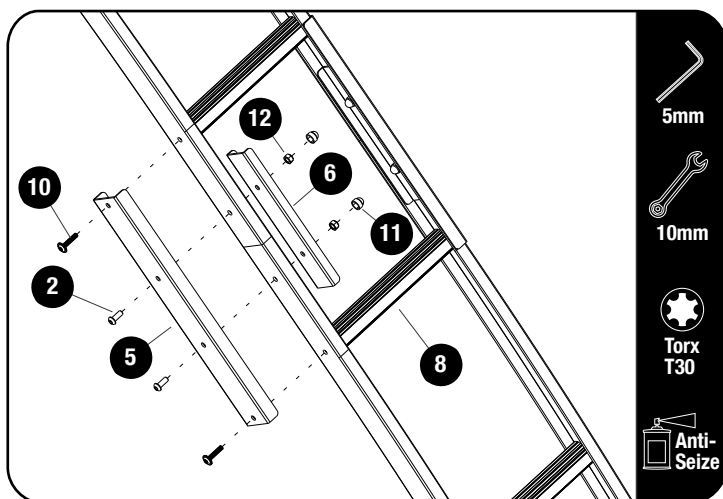
Fully tighten all fasteners.



**Tightening Torque:**

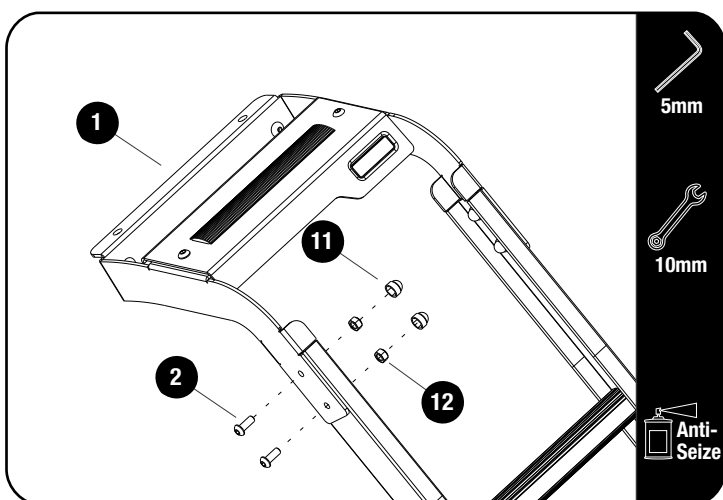
M6 : 8-10Nm / 5.9 ft lb - 7.38 ft lb

2.2



Join the Ladder Top and Bottom using the Outer and Inner Joiner Channels,

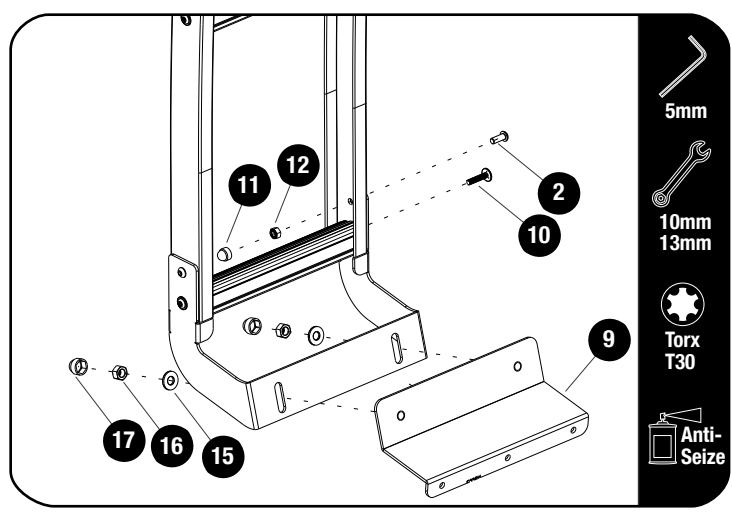
2.3



Add Text

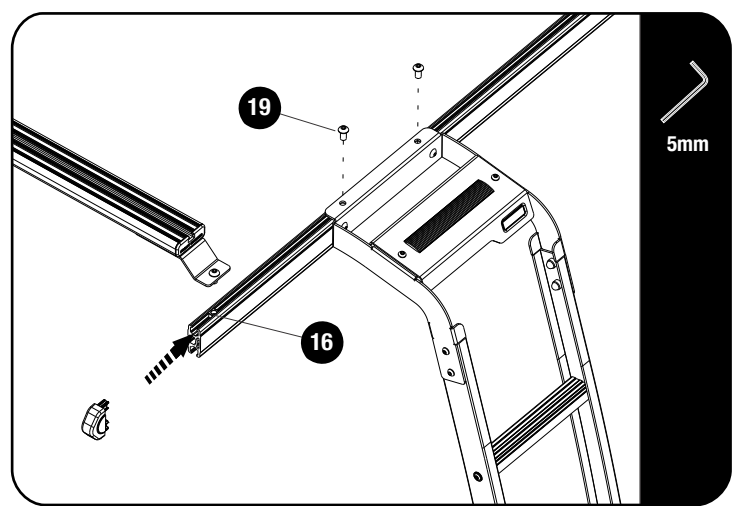
## 2 FIT AND SECURE

2.4



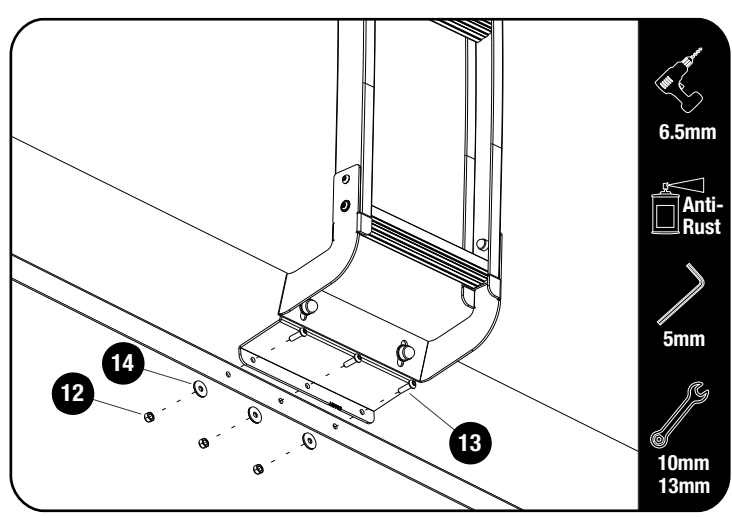
🔄 Add Text

2.5



🔄 Add Text

2.6



🔄 Add Text

**3**

### **FINISH**

**Congratulations! You did it. Take a step back and admire your work!**

**4**

### **INSTALL OTHER VEHICLE AND RACK ACCESSORIES**

**Now's the time to visit your favorite Front Runner Dealer in person or online.**

**Be sure to tag us. We love to see our gear in action! #FrontRunnerOutfitters #BornToRoam**

**Share your adventures on:** 