

READ ME !

Thank you for purchasing Front Runner Land Rover Defender (2020-Current) Side Mount Ladder.
Before you start, take a moment to familiarize yourself with the Fitting Instructions and the components received.
Refer to Page 2 for a list of all the components, quantities and tools required.

IMPORTANT WARNING!

IT IS CRITICAL THAT ALL FRONT RUNNER PRODUCTS BE PROPERLY AND SECURELY ASSEMBLED AND ATTACHED TO YOUR VEHICLE. IMPROPER ATTACHMENT COULD RESULT IN AN AUTOMOBILE ACCIDENT, AND COULD CAUSE SERIOUS BODILY INJURY OR DEATH. YOU ARE RESPONSIBLE FOR ASSEMBLING AND SECURING ALL FRONT RUNNER PRODUCTS TO YOUR VEHICLE, CHECKING THE ATTACHMENTS PRIOR TO USE, AND PERIODICALLY INSPECTING THE PRODUCTS FOR ADJUSTMENT, WEAR AND DAMAGE. THEREFORE, YOU MUST READ AND UNDERSTAND ALL OF THE INSTRUCTIONS AND PRECAUTIONS SUPPLIED WITH YOUR FRONT RUNNER PRODUCT PRIOR TO INSTALLATION OR USE. IF YOU DO NOT UNDERSTAND ALL OF THE INSTRUCTIONS AND CAUTIONS, OR IF YOU HAVE NO MECHANICAL EXPERIENCE AND ARE NOT THOROUGHLY FAMILIAR WITH THE INSTALLATION PROCEDURES, YOU SHOULD HAVE THE PRODUCT INSTALLED BY A PROFESSIONAL INSTALLER OR OTHER QUALIFIED PERSONNEL.

NOTE: Front Runner will not be responsible for any damage caused by the failure to install the product according to these instructions.
Please call us if you have any questions about the installation of this product.

1 GET ORGANIZED

IN THE BOX

| | | |
|----|------|--|
| 1 | 1 X | Ladder Side - LH |
| 2 | 1 X | Ladder Side - RH |
| 3 | 2 X | Ladder Rung (T-Slot Rubber Both Sides) |
| 4 | 2 X | Ladder Rung (T-Slot Rubber One Side) |
| 5 | 1 X | Ladder Top |
| 6 | 1 X | Ladder Support |
| 7 | 6 X | M6 x 16 Button Head Flange |
| 8 | 6 X | M6 x 12 x 1 Flat Washer |
| 9 | 6 X | M6 Nyloc Nut |
| 10 | 16 X | M6 x 25 Thread Forming Screw |
| 11 | 6 X | M6 Nut Cap |
| 12 | 2 X | Spacer 20 x 18 |
| 13 | 2 X | Foam Washer |
| 14 | 2 X | M10 Flat Washer |
| 15 | 2 X | M10 Spring Washer |
| 16 | 2 X | M10 x 40 Hex Bolt |
| 17 | 2 X | M10 Nut Cap |
| 18 | 2 X | Plastic Spacer 6mm |
| 19 | 2 X | M8 x 25 Hex Bolt |
| 20 | 2 X | M8 x 16 x 1.6 Flat Washer |
| 21 | 2 X | M8 Nyloc Nut |
| 22 | 2 X | M8 Nut Cap |

TOOLS NEEDED

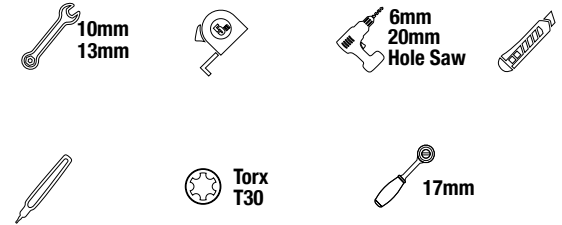
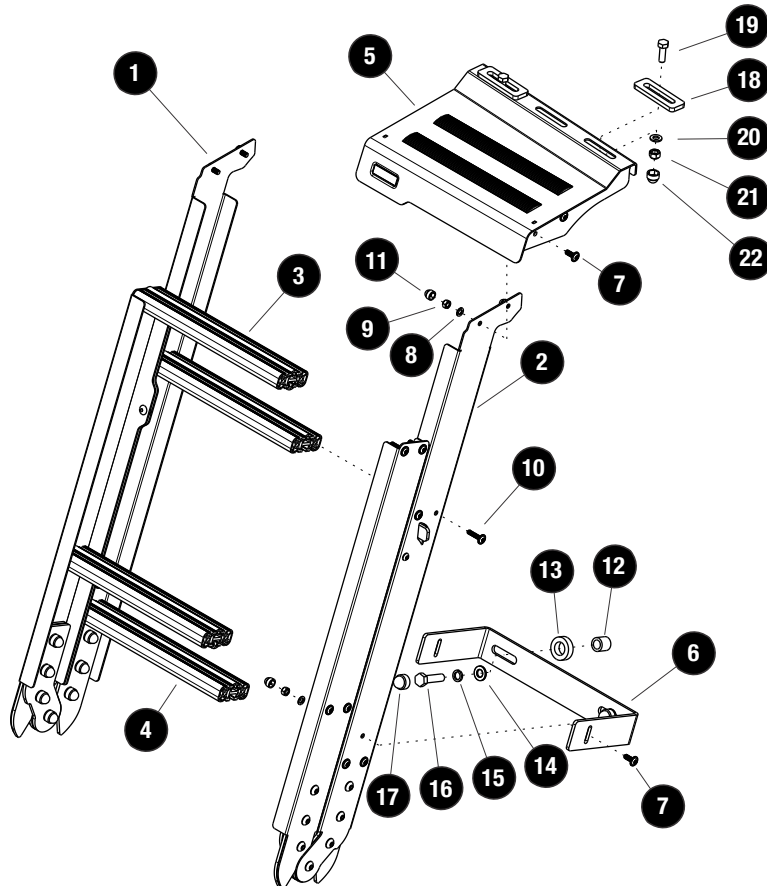


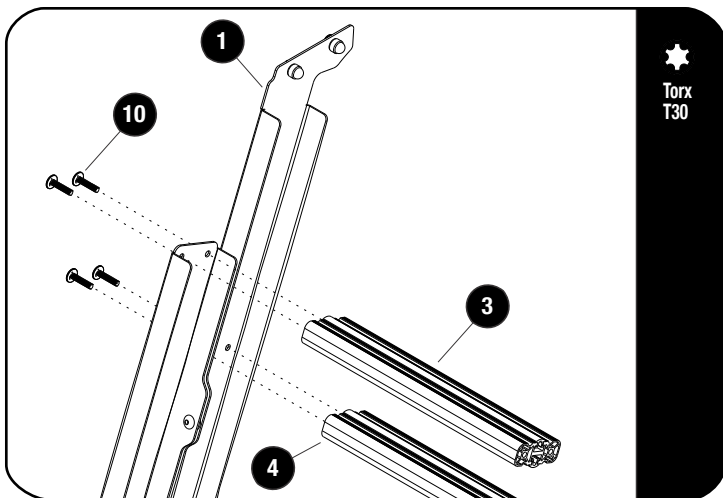
FIGURE 1.1



2

FIT AND SECURE

2.1



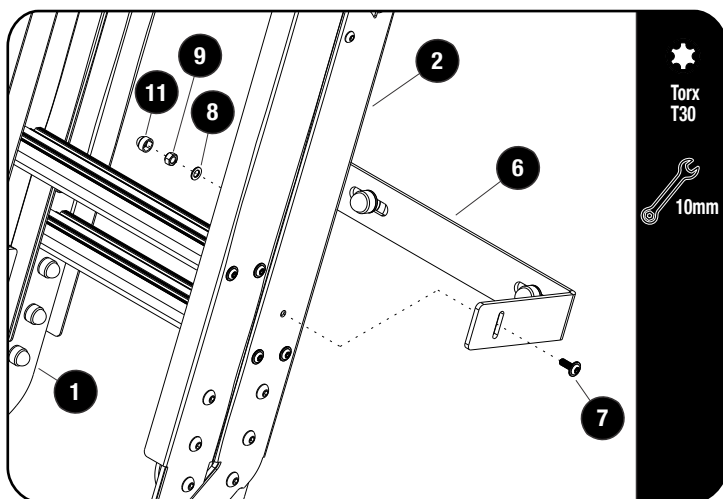
Torx T30

Assemble the Ladder Rungs (Item 3 & 4) to the Ladder Sides (Items 1 & 2) using M6 x 25 Thread Forming Screws (Item 10) as shown.



Apply a Little oil on screw threads before inserting. Note these are Thread forming screws.

2.2



Torx T30

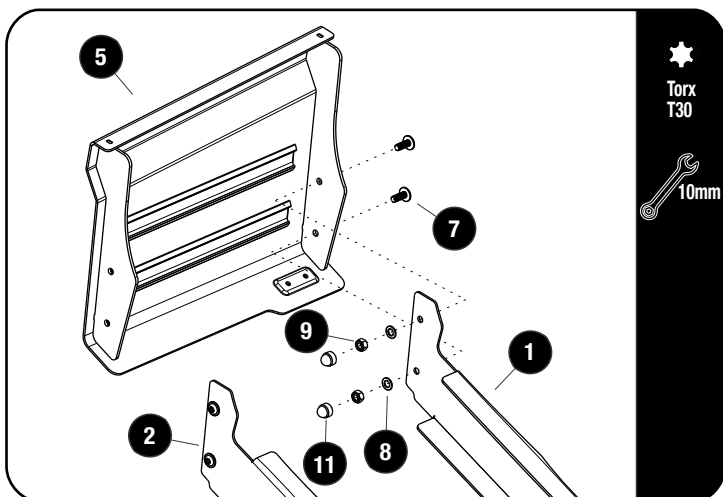


Assemble Support Bracket (Item 6) to Ladder Sides (Item 1 & 2) using M6 x 16 Button Head Flange Bolts, M6 x 12 x 1 Flat Washers and M6 Nyloc Nuts (Items 7, 8 & 9) as shown.



Do Not Tighten, as the Bracket will still need to be adjusted.

2.3



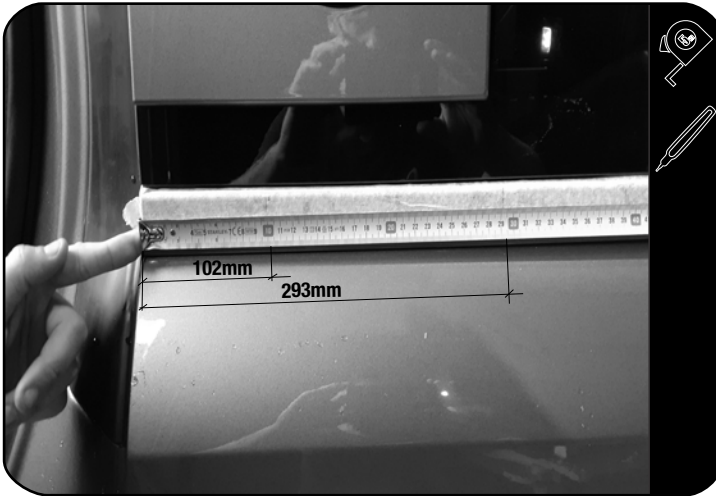
Torx T30



Assemble the Ladder Top Assembly (Item 5) to the Ladder Sides (Items 1 & 2) using M6 x 16 Button Head Flange Bolts, M6 x 12 x 1 Flat Washers and M6 Nyloc Nuts (Items 7, 8 & 9) as shown, Fully Tighten.

Place M6 Nut Caps (Item 11) on all Nyloc Nuts.

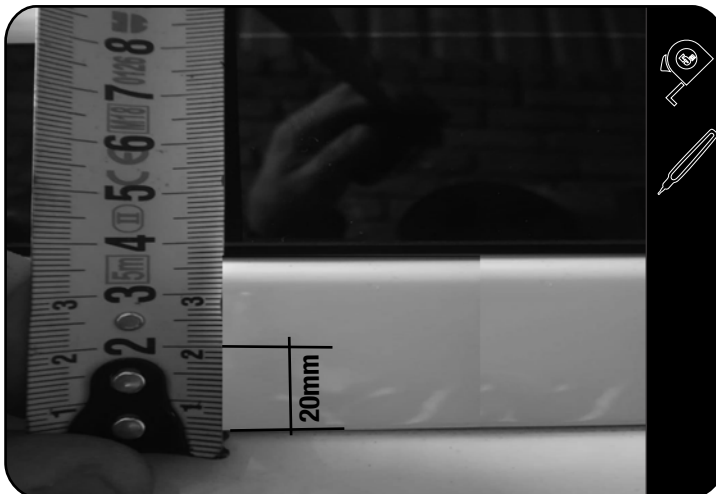
2.4



Starting from the front (Left Side) of the Plastic Trim.
Measure and mark the following distances on the Plastic Trim.

Markings:
1 - 102mm
2 - 293mm

2.5



From the bottom of the Plastic Trim, measure and mark to get the Centres.

Markings:
1 - 20mm

2.6



Drill 2 pilot holes using the marks you made (Fig 2.4 & 2.5) with a 6mm Drill bitt.

2.7



Remove the Plastic Trim by using a Plastic Panel Tool or similar.

2.8



Using a 20mm Hole Saw and a suitable surface to drill on, open the two holes in the Plastic Trim (Fig 2.6) to 20mm.

2.9



Remove Sealing Patch that is located behind the plastic trim shown in Fig 2.7.

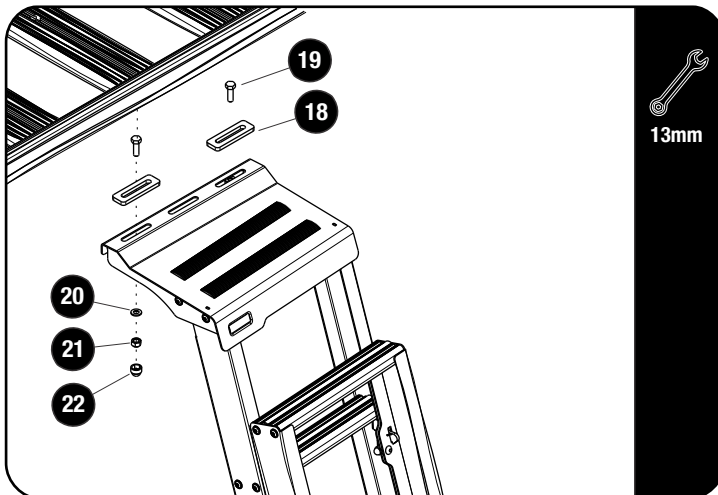
2.10



Refit Plastic Trim removed in Fig 2.7.

Insert Spacer 20 x 18 & Foam Washer (Items 12 & 13) into the holes Drilled earlier Fig 2.8 into the Plastic Trim.

2.11



Fit your Land Rover Defender Side Mount Ladder to your Roof Rack using M8 x 25 hex Bolt, Plastic Spacer 6mm, M8 x 16 x 1.6 Flat Washer, M8 Nyloc Nut, (Items 19, 18, 20 & 21) as shown.

Do not fully tighten as the ladder needs to be able to slide in the T-Slot for adjustment.



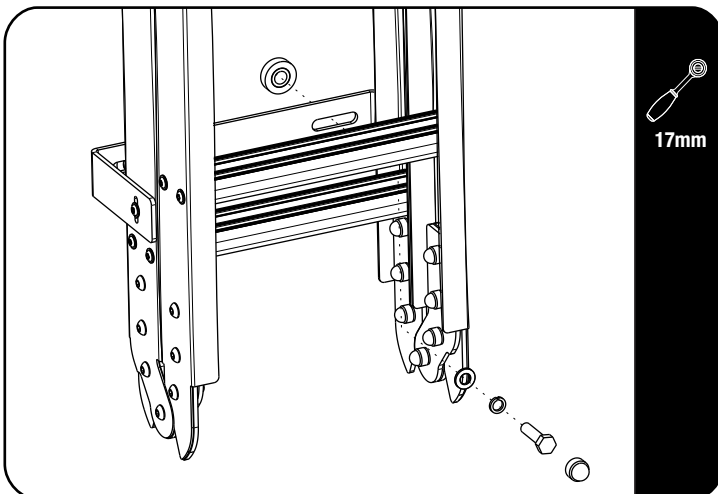
Depending on what Front Runner Rack mounting system is used the spacer position will vary

Spacer Position:

Front Runner Foot Rails , spacer as shown.

OEM Tracks , one Spacer centered

2.12



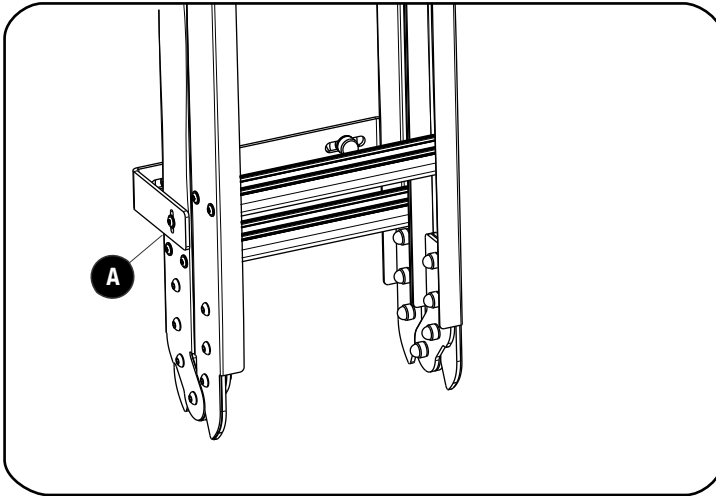
Secure your Land Rover Defender Side Mount Ladder to your vehicle using M10 x 40 Hex Bolt, M10 Spring Washer, M10 Flat Washer (Items 14, 15 & 16) Fully Tighten.

Place M10 Nut Caps (Items 17) on all Nyloc Nuts.

2

FIT AND SECURE

2.13

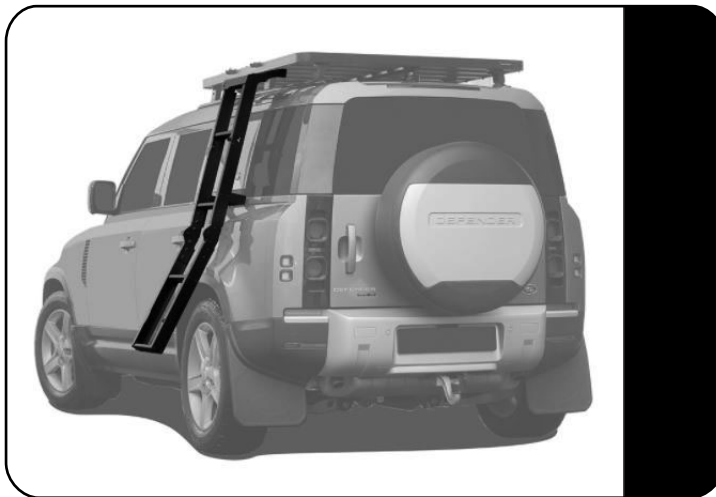


Adjust Ladder angle to suit vehicle side profile
Fully Tighten all fasteners inserted in step 2.2 & 2.11.

Place Nut Caps on all Nyloc Nuts.

3

FINISHED



Congratulations! You did it. Take a step back and admire your work!

4

INSTALL OTHER VEHICLE AND RACK ACCESSORIES

Now's the time to visit your favorite Front Runner Dealer in person or online.

Be sure to tag us. We love to see our gear in action! #FrontRunnerOutfitters #BornToRoam

Share your adventures on:

