



**FRONT RUNNER**

**VOLKSWAGEN TOUAREG  
SLIMLINE II RACK  
(1255MM X 1762MM )**

**ENG**

KRVT005T



**INSTALL TIME: 2 Hour**

# **START HERE**

## **READ ME FIRST**

Thank you for purchasing a Front Runner Slimline II Rack.

This Roof Rack consists of a kit that contains:

1. A Slimline II Tray
2. A mounting system specific to your vehicle

Before you start, take a moment and open all your boxes and gather the assembly instructions for the various components.

This document will guide you through the assembly of the various mounting system components and assist you in fitting the Slimline II Tray to your specific vehicle.

### **IMPORTANT WARNING!**

**IT IS CRITICAL THAT ALL FRONT RUNNER PRODUCTS BE PROPERLY AND SECURELY ASSEMBLED AND ATTACHED TO YOUR VEHICLE. IMPROPER ATTACHMENT COULD RESULT IN AN AUTOMOBILE ACCIDENT, AND COULD CAUSE SERIOUS BODILY INJURY OR DEATH TO YOU OR TO OTHERS. YOU ARE RESPONSIBLE FOR ASSEMBLING AND SECURING ALL FRONT RUNNER PRODUCTS TO YOUR VEHICLE, CHECKING THE ATTACHMENTS PRIOR TO USE, AND PERIODICALLY INSPECTING THE PRODUCTS FOR ADJUSTMENT, WEAR, AND DAMAGE. THEREFORE, YOU MUST READ AND UNDERSTAND ALL OF THE INSTRUCTIONS AND CAUTIONS SUPPLIED WITH YOUR FRONT RUNNER PRODUCT PRIOR TO INSTALLATION OR USE. IF YOU DO NOT UNDERSTAND ALL OF THE INSTRUCTIONS AND CAUTIONS, OR IF YOU HAVE NO MECHANICAL EXPERIENCE AND ARE NOT THOROUGHLY FAMILIAR WITH THE INSTALLATION PROCEDURES, YOU SHOULD HAVE THE PRODUCT INSTALLED BY A PROFESSIONAL INSTALLER OR OTHER QUALIFIED PERSONNEL.**

# 1

## ASSEMBLE YOUR SLIMLINE II RACK

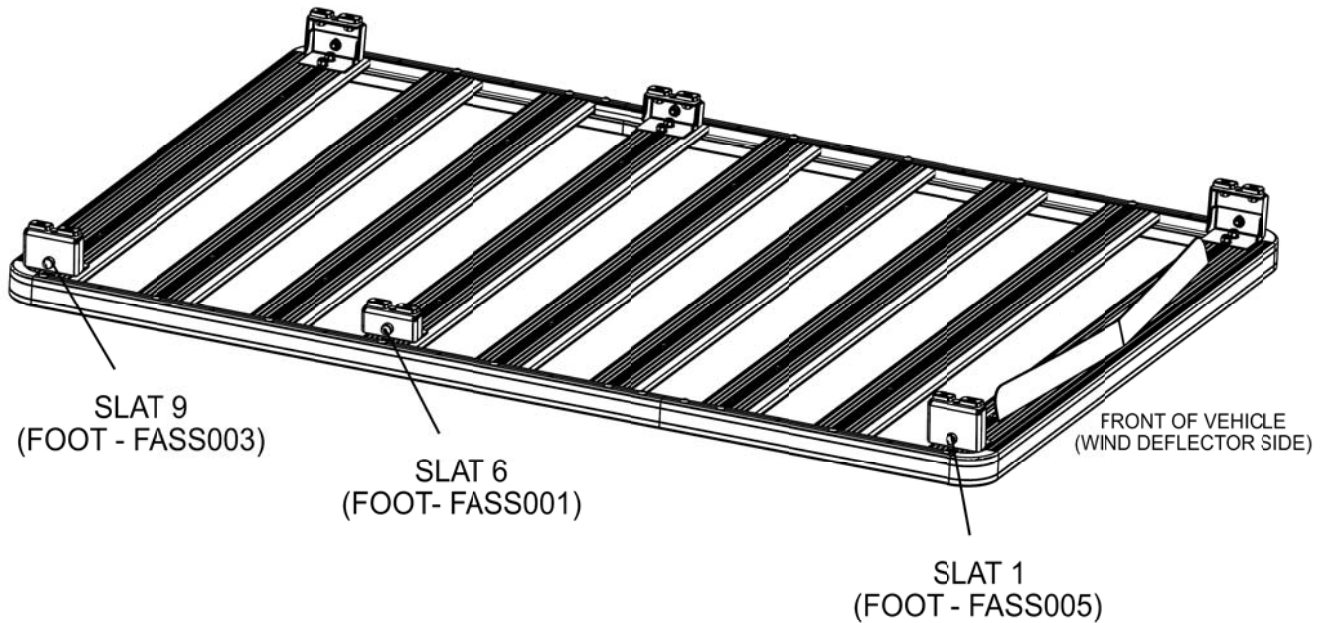
REFER TO SLIMLINE II TRAY UNIVERSAL ASSEMBLY INSTRUCTION (DOCUMENT RRSTUNI)

# 2

## FIT THE FEET

REFER TO FOOT ASSEMBLY INSTRUCTION (DOCUMENT FASSUNI)

- (A) With your Rack in the upside down position (Product sticker should be upside down), fit the Top of the Feet to your Slimline II Tray as illustrated below.



# 3

## REMOVE ROOF RAILS - IF FITTED

- (A) Remove only the vehicle's Roof Rails that run from front to back if fitted. Do not remove the Original Tracks fitted to the vehicle.



**NOTE:** DO NOT SLIDE THE RACK AND FEET ACROSS THE ROOF! If there is a chance that you are going to set the roof rack on to the roof, place some moving blankets and/or towels over the roof. If you must lower the rack before it is in position, carefully set the Feet on the padded surface.

Once your Slimline II Roof Rack is fitted, ensure a 15mm clearance is maintained between the Wind Deflector and the vehicles roof otherwise damage to the roof may occur. Bend the Wind Deflector by hand if necessary.

# 4

## MOUNT THE RACK TO YOUR VEHICLE

REFER TO FOOT ASSEMBLY INSTRUCTION (DOCUMENT FASSUNI)

- (A) Looking at the Front Feet, you will see three holes in the base of the Bottom Foot. Use the Middle and Rear Holes for fitment. Insert the required Bottom Feet into each Track and space according to the distances between the Top Feet fitted to the Rack in Step 2 (Document FASSUNI).

Grab your friend and with one of you on each side of the Rack, flip the rack end over end (This prevents the Hex Bolts from falling out of the machines slots) so that the Feet are facing down. With the Wind Deflectors facing forward, approach the vehicle from the rear lifting the Rack up and over the roof.

Position the Rack as far back as possible without it overhanging the rear of the vehicle and ensure that the rear door is able to open fully without hitting the rack or accessories. Bring the rack down slowly lining up the Top and Bottom Feet and loosely fasten.

Center the Rack left to right. Ensure that the Rack is level - front to back and left to right - before tightening.



**Congratulations, you have completed your installation. Take a step back and admire your work. Good Job!**

# 5

## TAKE A TRIP

- (A) After your first adventure, check that all nuts, bolts, screws and fittings are tight. Re-tighten where needed. You'll find a small amount of settling has happened.

Go on many more adventures, periodically checking all nuts, bolts, screws and fittings.



**Front Runner can not recommend a maximum load carrying capacity. Please refer to your vehicle manufacturer's recommendations.**