

READ ME ! 

Thank you for purchasing a Front Runner Volkswagen T5/T6 Transporter Ladder.

Before you start, take a moment to familiarize yourself with the Fitting Instructions and the included components.

Refer to Page 2 for a list of all the components, quantities and tools required.

IMPORTANT WARNING! 

IT IS CRITICAL THAT ALL FRONT RUNNER PRODUCTS BE PROPERLY AND SECURELY ASSEMBLED AND ATTACHED TO YOUR VEHICLE. IMPROPER ATTACHMENT COULD RESULT IN AN AUTOMOBILE ACCIDENT, AND COULD CAUSE SERIOUS BODILY INJURY OR DEATH. YOU ARE RESPONSIBLE FOR ASSEMBLING AND SECURING ALL FRONT RUNNER PRODUCTS TO YOUR VEHICLE, CHECKING THE ATTACHMENTS PRIOR TO USE, AND PERIODICALLY INSPECTING THE PRODUCTS FOR ADJUSTMENT, WEAR AND DAMAGE. THEREFORE, YOU MUST READ AND UNDERSTAND ALL OF THE INSTRUCTIONS AND PRECAUTIONS SUPPLIED WITH YOUR FRONT RUNNER PRODUCT PRIOR TO INSTALLATION OR USE. IF YOU DO NOT UNDERSTAND ALL OF THE INSTRUCTIONS AND CAUTIONS, OR IF YOU HAVE NO MECHANICAL EXPERIENCE AND ARE NOT THOROUGHLY FAMILIAR WITH THE INSTALLATION PROCEDURES, YOU SHOULD HAVE THE PRODUCT INSTALLED BY A PROFESSIONAL INSTALLER OR OTHER QUALIFIED PERSONNEL.

NOTE: Front Runner will not be responsible for any damage caused by the failure to install the product according to these instructions.

Please call us if you have any questions about the installation of this product.



1 GET ORGANIZED

IN THE BOX

1	1 X	T5 Stud Plate Tape Assembly
2	1 X	Top Step
3	2 X	Ladder Side
4	4 X	Ladder Rung (228mm Long)
5	1 X	Bottom Bracket Assembly
6	8 X	M6 x 25 Thread Forming Screw
7	1 X	Leg Clamp Bracket
8	2 X	M6 x 12 x 1 Flat Washer
9	2 X	M6 x 40 Button Head Bolt
10	1 X	T6 Stud Plate Tape Assembly
11	6 X	M6 x 16 Flange Button Head
12	6 X	M6 Nyloc Nut
13	6 X	M6 Nut Cap

IN THE BOX

14	2 X	M8 Nyloc Nut
15	2 X	M8 Nut Cap
16	1 X	Pinch Weld (200mm Long)
17	1 X	M6 Jack Nut
18	1 X	M6 x 25 Button Head
19	1 X	Jack Nut Tool

TOOLS NEEDED

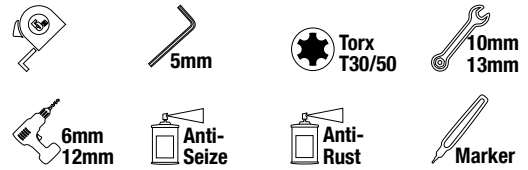
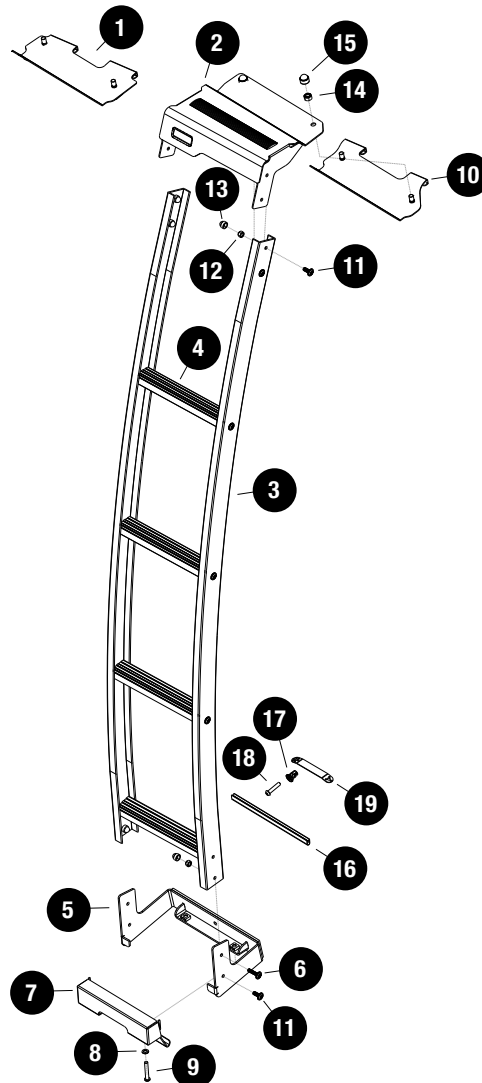


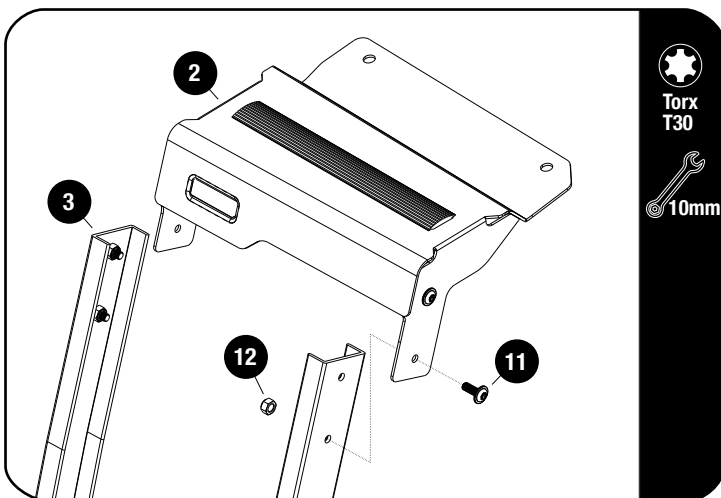
FIGURE 1.1



2

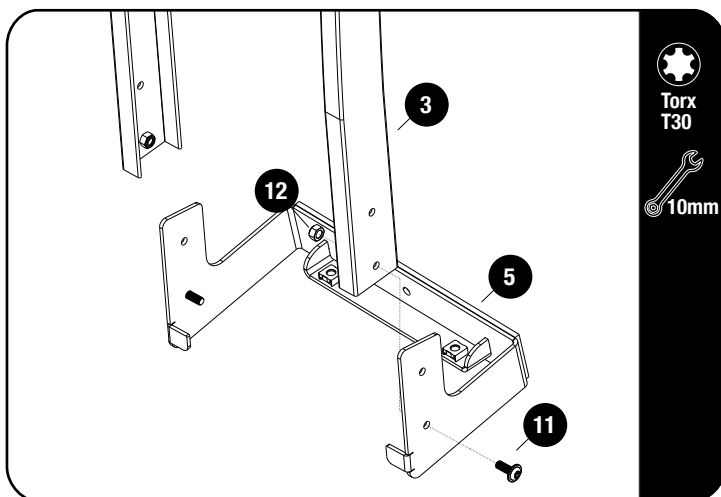
FIT AND SECURE

2.1



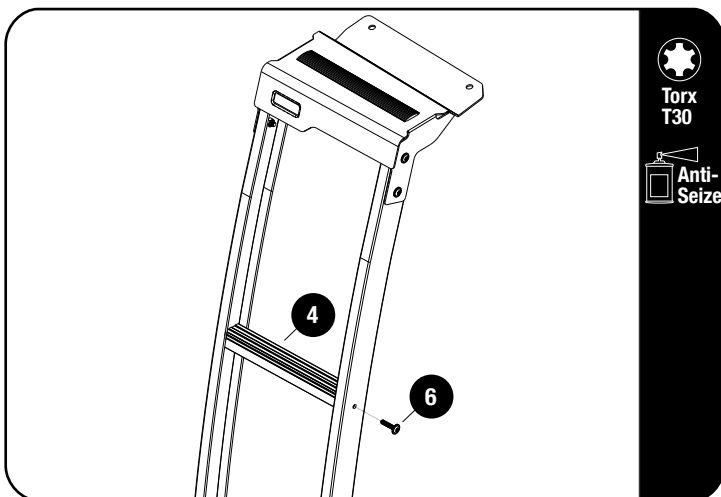
Loosely assemble the Top Step (Item 2) to the Ladder Sides (Item 3) using M6 x 16 Flange Button Head Bols and M6 Nyloc Nuts (Items 11 & 12).

2.2



Loosely assemble the Bottom Bracket (Item 5) to the Ladder Sides (Item 3) using M6 x 16 Flange Button Head Bols and M6 Nyloc Nuts (Items 11 & 12).

2.3



Apply a little Anti seize/oil on screw threads before inserting.



Secure the Ladder Rungs (Item 4) to the Ladder Sides (Item 3) using M6 x 25 Thread Forming Screws (Item 6).

Fully tighten all fasteners.



Tightening Torque:

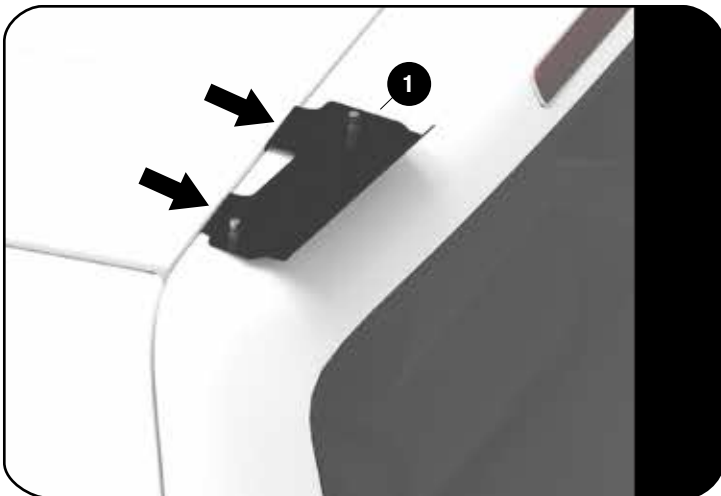
M6 : 8-10Nm / 5.9 ft lb - 7.38 ft lb

Place M6 Nut Caps (Item 13) over all Nyloc Nuts (Item 12).

3

FIT AND SECURE - T5 OR T6 TOP BRACKET

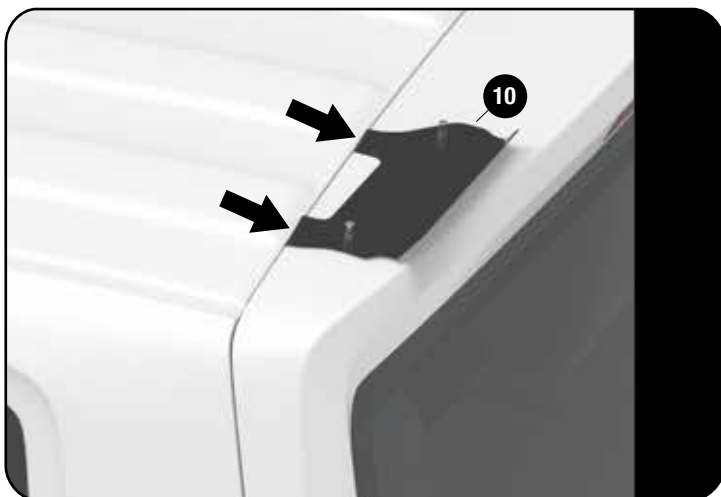
3.1



T5 - TOP BRACKET

- ⚠ Ensure rubber strip is placed under the bracket.
Hook the T5 - Ladder Top Mount (Item 1) over the top edge of the Rear Door.
- ↻ Pull the top lip against the top left edge of the rear door as shown.

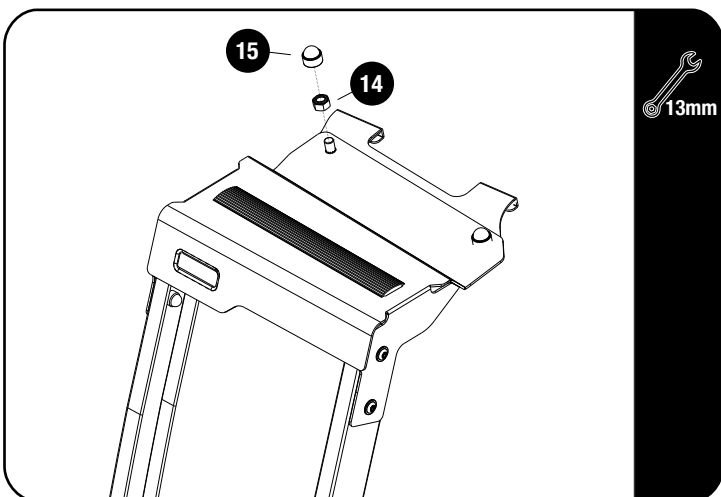
3.2



T6 - TOP BRACKET

- ⚠ Ensure rubber strip is placed under the bracket.
Hook the T6 - Ladder Top Mount (Item 10) over the top edge of the Rear Door.
- ↻ Pull the top lip against the top left edge of the rear door as shown.

3.3



- ↻ Secure the Ladder assembly from 2.3 to the Top Mount Bracket as shown using a M8 Nyloc Nut and, and fully tighten.



Tightening Torque:

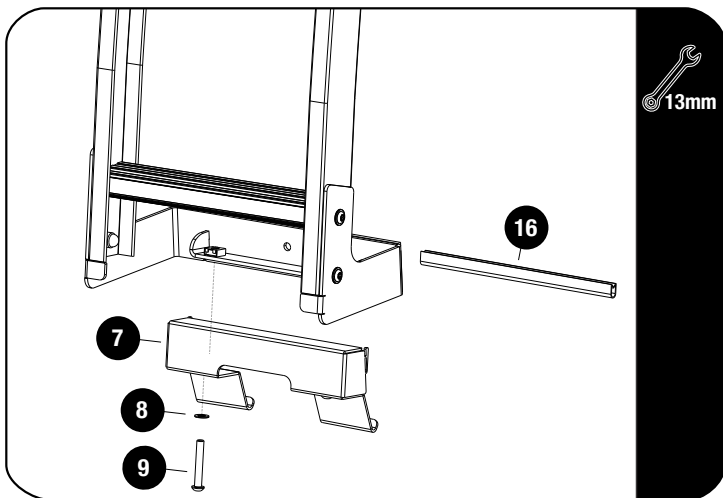
M8 : 15-20Nm / 11.06 ft lb - 14.75 ft lb

Place M8 Nut Caps (Item 15) over all M8 Nyloc Nuts (Item 14).

3

FIT AND SECURE - T5 OR T6 TOP BRACKET

3.4



Place the Pinch Weld on the vehicle door, where the Leg Clamp Bracket will sit.

Hook the Leg Clamp Bracket (Item 7) over the rear hatch and secure to the ladder assembly using M6 x 40 Button Head Bolts and M6 x 12 x 1 Flat Washers (Items 8 & 9)



Tightening Torque:

M6 : 8-10Nm / 5.9 ft lb - 7.38 ft lb

3.5

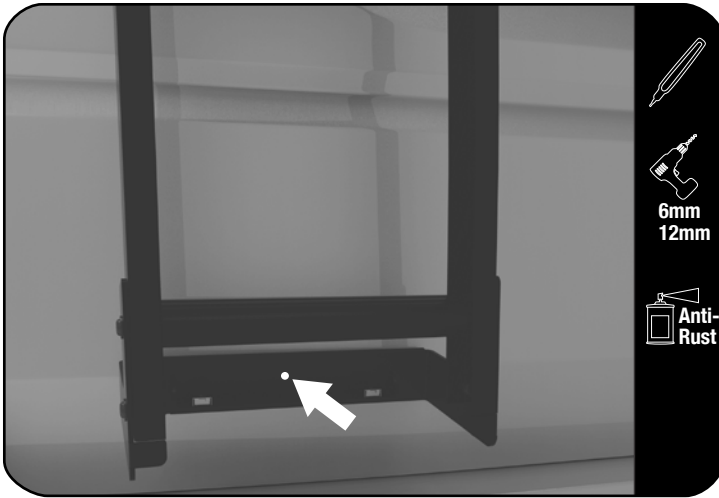


For permanent fitment refer to page 6.

4

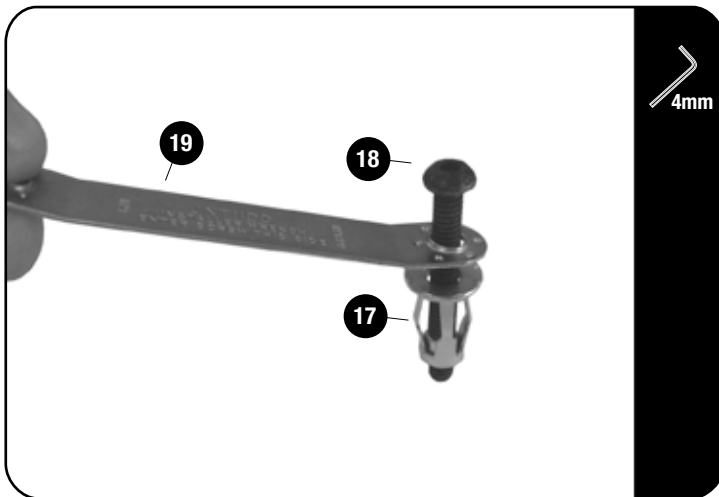
FIT AND SECURE - PERMANENT FITMENT

4.1



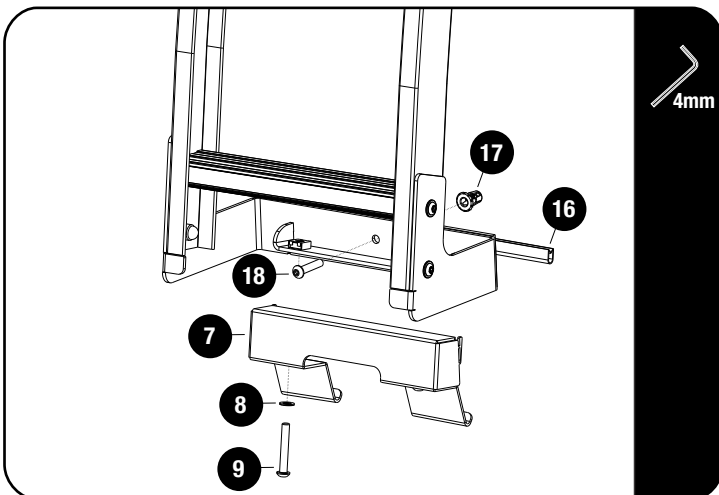
Remove the Leg Clamp Bracket (Item 7) and mark the centre of the hole as shown.
Remove the Ladder.
Drill a 6mm pilot hole and open to 12mm.
Apply Anti-Rust around all holes drilled.

4.2



Insert a M6 x 25 Button Head Bolt (Item 18) into the Jack Nut Tool (Item 17) and loosely fit a Jack Nut (Item 19) to the button head bolt as shown.
Using the Jack Nut Tool and a M6 x 25 button head bolt, set the M6 jack nut into both the holes, opened in step 6.1.
Using a cordless driver and a 4mm allen cordless bit, set the jack nut into the hole while holding the Jack Nut Tool, to prevent the Jack Nut from turning.

4.3



Secure the Ladder to the rear hatch using a M6 x 25 Button Head Bolt (Item 18).
Place the Pinch Weld (Item 16) on the vehicle door, where the Leg Clamp Bracket will sit.
Hook the Leg Clamp Bracket (Item 7) over the rear hatch and secure to the ladder assembly using M6 x 40 Button Head Bolts and M6 x 12 x 1 Flat Washers (Items 8 & 9)

7

FINISH

Congratulations! You did it. Take a step back and admire your work!

8

INSTALL OTHER VEHICLE AND RACK ACCESSORIES

Now's the time to visit your favorite Front Runner Dealer in person or online.

Be sure to tag us. We love to see our gear in action! #FrontRunnerOutfitters #BornToRoam

Share your adventures on: 