

## READ ME !

Thank you for purchasing a Front Runner Rack Ladder.

Before you start, take a moment to familiarize yourself with the Fitting Instructions and the included components.

Refer to Page 2 for a list of all the components, quantities and tools required.

## IMPORTANT WARNING!

IT IS CRITICAL THAT ALL FRONT RUNNER PRODUCTS BE PROPERLY AND SECURELY ASSEMBLED AND ATTACHED TO YOUR VEHICLE. IMPROPER ATTACHMENT COULD RESULT IN AN AUTOMOBILE ACCIDENT, AND COULD CAUSE SERIOUS BODILY INJURY OR DEATH. YOU ARE RESPONSIBLE FOR ASSEMBLING AND SECURING ALL FRONT RUNNER PRODUCTS TO YOUR VEHICLE, CHECKING THE ATTACHMENTS PRIOR TO USE, AND PERIODICALLY INSPECTING THE PRODUCTS FOR ADJUSTMENT, WEAR AND DAMAGE. THEREFORE, YOU MUST READ AND UNDERSTAND ALL OF THE INSTRUCTIONS AND PRECAUTIONS SUPPLIED WITH YOUR FRONT RUNNER PRODUCT PRIOR TO INSTALLATION OR USE. IF YOU DO NOT UNDERSTAND ALL OF THE INSTRUCTIONS AND CAUTIONS, OR IF YOU HAVE NO MECHANICAL EXPERIENCE AND ARE NOT THOROUGHLY FAMILIAR WITH THE INSTALLATION PROCEDURES, YOU SHOULD HAVE THE PRODUCT INSTALLED BY A PROFESSIONAL INSTALLER OR OTHER QUALIFIED PERSONNEL.

**NOTE:** Front Runner will not be responsible for any damage caused by the failure to install the product according to these instructions.

Please call us if you have any questions about the installation of this product.



# 1 GET ORGANIZED

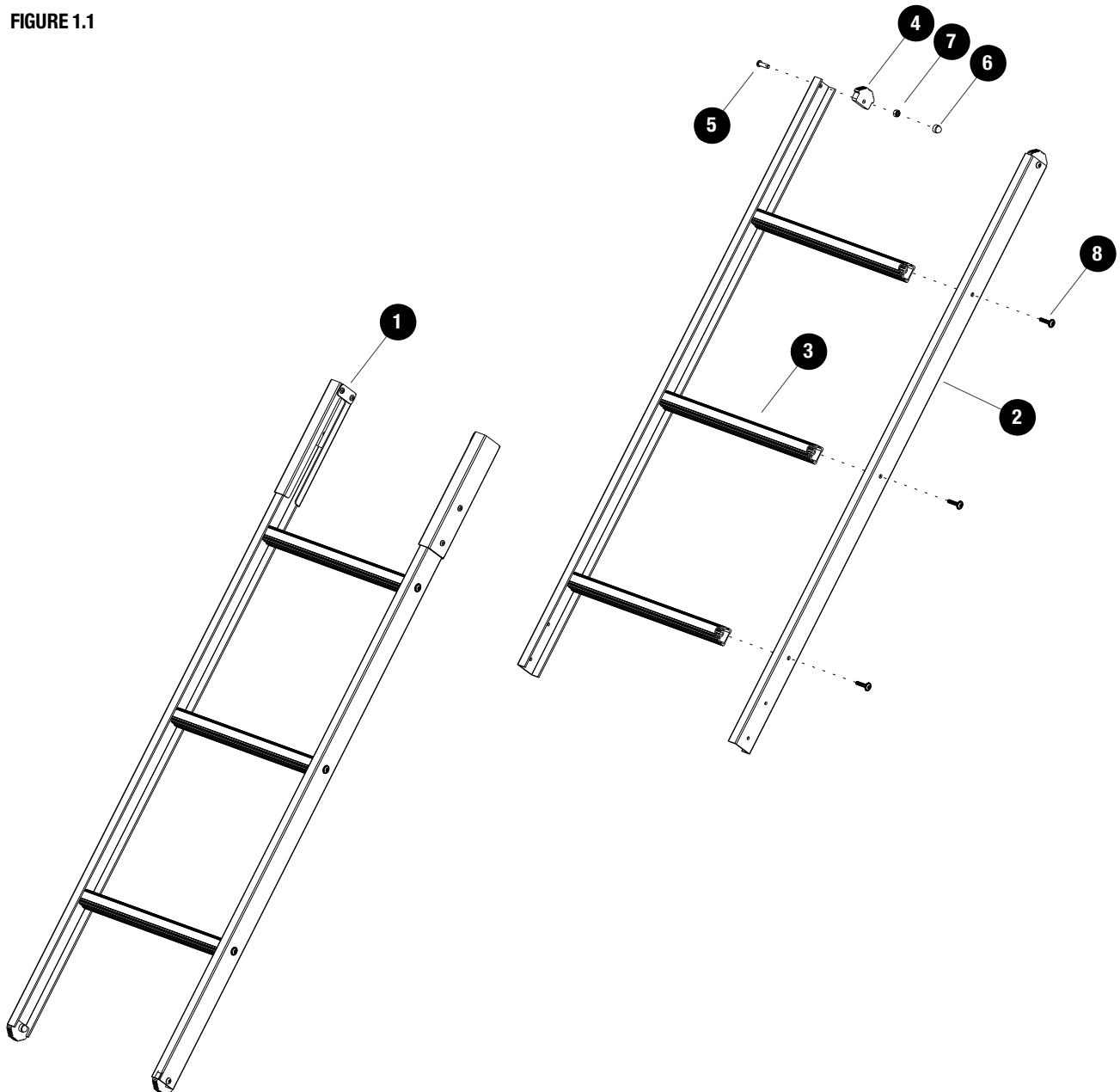
## IN THE BOX

1	2 X	Ladder Sides - Bottom Assembly
2	2 X	Ladder Sides - Top
3	6 X	Ladder Rung - 341.5mm Long
4	4 X	Ladder Feet
5	4 X	M6 x 20 Button Head Bolt
6	4 X	M6 Nut Cap
7	4 X	M6 Nyloc Nut
8	12 X	M6 x 25 Flange Button Head Torx

## TOOLS NEEDED



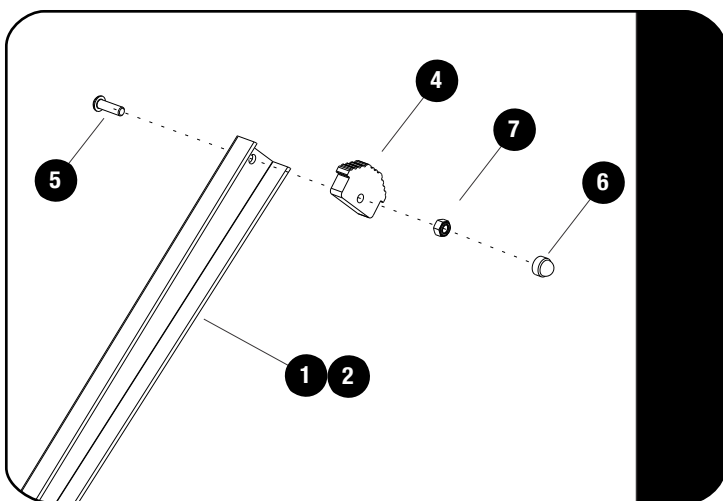
FIGURE 1.1



## 2

## FIT AND SECURE

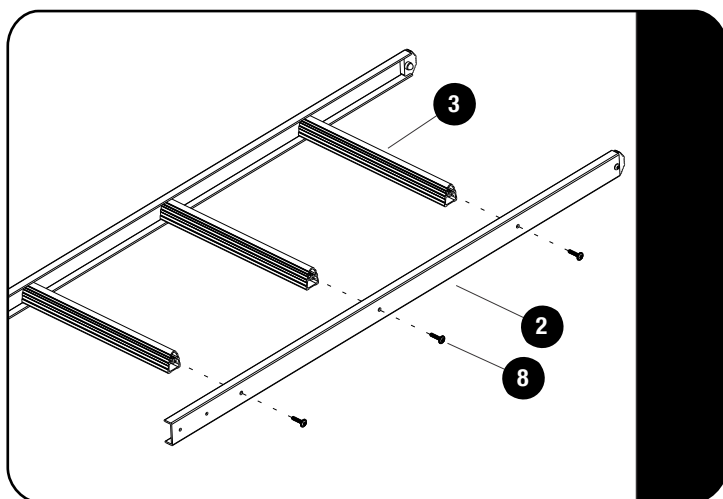
2.1



Assemble the Ladder Feet (Item 4) to the ends of the Ladder Side Top and Bottom (Items 1 & 2) using M6 x 20 Button Head Bolts and M6 Nyloc Nuts (Items 5 & 7).

Place M6 Nut Caps (Item 6) on all the Nyloc Nuts.

2.2



Assemble 3 Ladder Rungs (Item 3) to the Ladder Top and Bottom Sides (Item 1 & 2) using M6 x 25 Flange Button Head Torx thread forming screws. (Item 8).

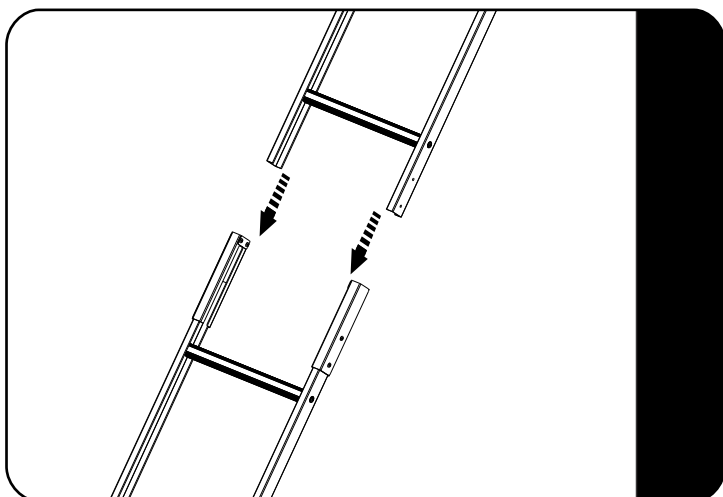


Use a little oil on screw threads before inserting. Note these are Thread Forming Screws.



Tightening Torque 8-10Nm / 5.9 ft lb - 7.38 ft lb. Take care when using a cordless driver.

2.3



Before use, slide the Ladder top assembly into the bottom assembly as shown.



MAKE SURE LADDER IS ON A STABLE AND NON SLIP SURFACE WHEN USING.

3

### FINISH

Congratulations! You did it. Take a step back and admire your work!

4

### INSTALL OTHER VEHICLE AND RACK ACCESSORIES

Now's the time to visit your favorite Front Runner Dealer in person or online.

Be sure to tag us. We love to see our gear in action! #FrontRunnerOutfitters #BornToRoam

Share your adventures on:  