**READ ME !** 

Thank you for purchasing a Front Runner Rack Mount Shower Cubicle.
Before you start, take a moment to familiarize yourself with the Fitting Instructions and the components received.
Refer to Page 2 for a list of all the components, quantities and tools required.

IMPORTANT WARNING! 

IT IS CRITICAL THAT ALL FRONT RUNNER PRODUCTS BE PROPERLY AND SECURELY ASSEMBLED AND ATTACHED TO YOUR VEHICLE. IMPROPER ATTACHMENT COULD RESULT IN AN AUTOMOBILE ACCIDENT, AND COULD CAUSE SERIOUS BODILY INJURY OR DEATH. YOU ARE RESPONSIBLE FOR ASSEMBLING AND SECURING ALL FRONT RUNNER PRODUCTS TO YOUR VEHICLE, CHECKING THE ATTACHMENTS PRIOR TO USE, AND PERIODICALLY INSPECTING THE PRODUCTS FOR ADJUSTMENT, WEAR AND DAMAGE. THEREFORE, YOU MUST READ AND UNDERSTAND ALL OF THE INSTRUCTIONS AND PRECAUTIONS SUPPLIED WITH YOUR FRONT RUNNER PRODUCT PRIOR TO INSTALLATION OR USE. IF YOU DO NOT UNDERSTAND ALL OF THE INSTRUCTIONS AND CAUTIONS, OR IF YOU HAVE NO MECHANICAL EXPERIENCE AND ARE NOT THOROUGHLY FAMILIAR WITH THE INSTALLATION PROCEDURES, YOU SHOULD HAVE THE PRODUCT INSTALLED BY A PROFESSIONAL INSTALLER OR OTHER QUALIFIED PERSONNEL.

NOTE: Front Runner will not be responsible for any damage caused by the failure to install the product according to these instructions.
Please call us if you have any questions about the installation of this product.

1

GET ORGANIZED

IN THE BOX

| | | |
|----|-----|-----------------------------|
| 1 | 1 X | Shower Cubicle Kit |
| | 4 X | Peg |
| | 4 X | Guy Rope and Tensioner |
| 2 | 3 X | Poles |
| 3 | 2 X | Top Bracket |
| 4 | 2 X | Bottom Bracket |
| 5 | 2 X | Elbow |
| 6 | 2 X | M8 x 16 Button Head Bolt |
| 7 | 2 X | M8 x 25 Button Head Bolt |
| 8 | 2 X | M8 Schnorr Washer |
| 9 | 2 X | M8 x 16 x 1.6SS Flat Washer |
| 10 | 2 X | M8 Thin Nut |
| 11 | 2 X | M8 Nyloc Nut |

TOOLS NEEDED

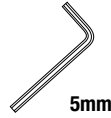
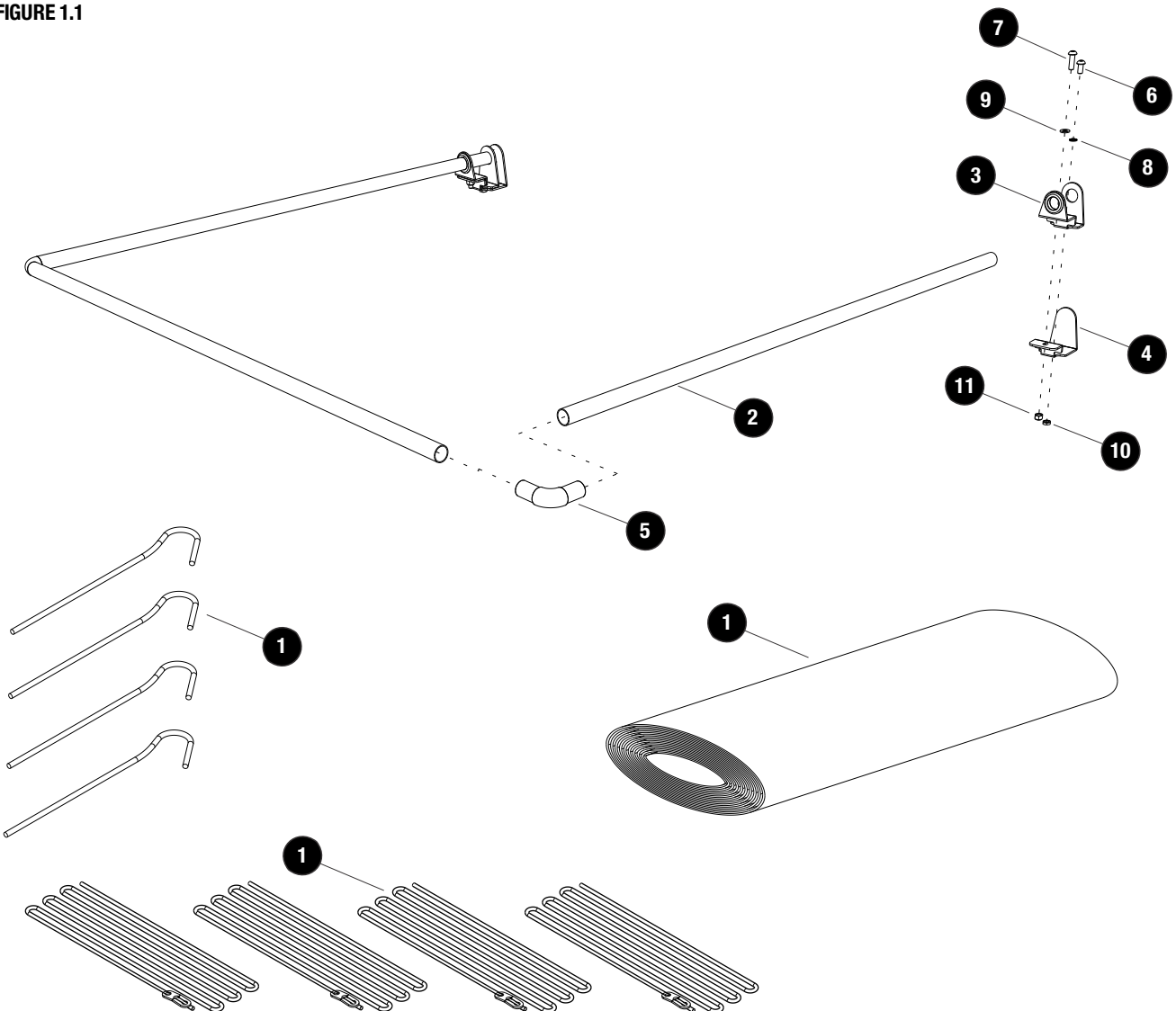
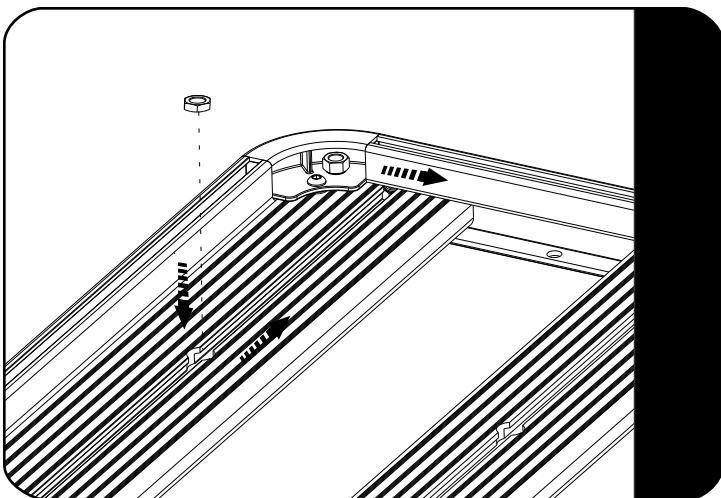


FIGURE 1.1



2**FIT AND SECURE****2.1**

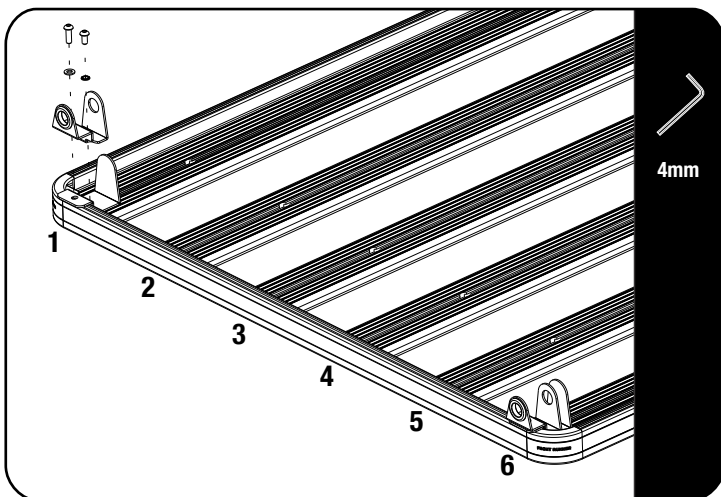
Determine where you want to mount your Shower Cubicle on the side of your Front Runner Rack.

The Shower Cubicle frame spans over six slats.

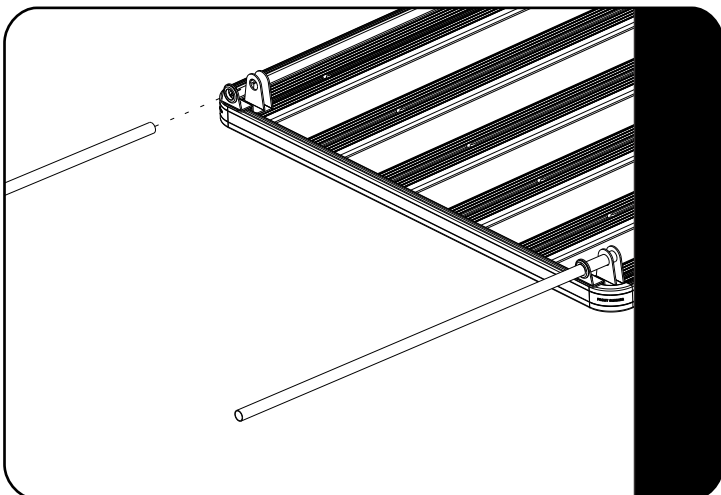
Slide two M8 Nyloc Nuts (Item 11), nyloc facing down in the side profile using the opening on the inside of the corner as show.

Align the nuts with slat 1 and slat 6. See 2.2.

Slide two M8 Thin Nuts (Item 10) into the chosen slats using the machined slots as shown.

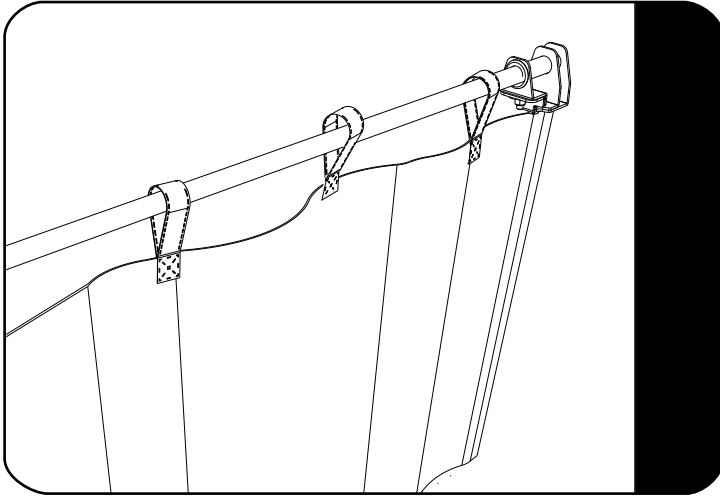
2.2

Secure the Top and Bottom Brackets (Items 3 & 4) to the rack using M8 x 16 Button Head Bolts, M8 x 25 Button Head Bolts, M8 x 16 x 1.6SS Flat Washers, M8 Schnorr Washers (Items 6, 7, 8 & 9) and the nuts inserted in 2.1 as shown

2.3

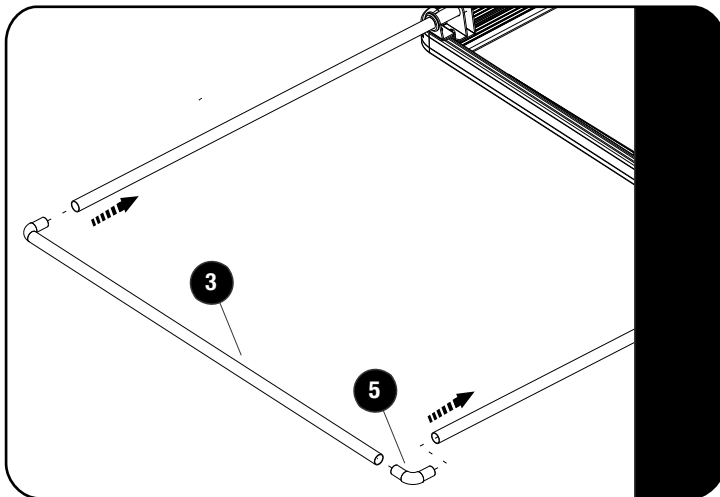
Insert two Poles (Item 2) through both the holes in the Top Bracket (Item 3) as shown.

2.4



Slide the Curtain onto one of the Poles inserted in 2.3.

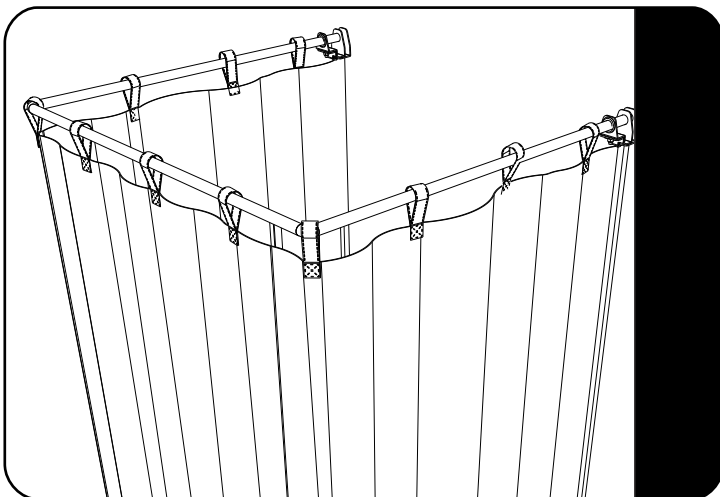
2.5



Insert the Elbows (Item 5) into each end of the third Pole (Item 2).

Slide the other ends of the Elbows into the two Poles inserted in 2.3 as shown.

2.6

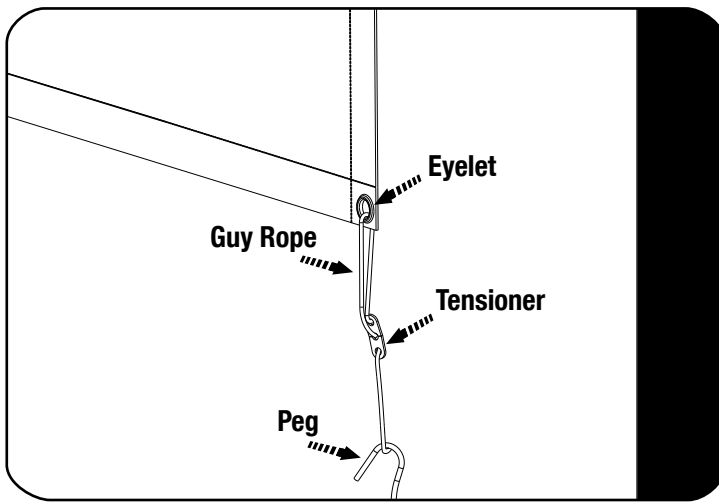


Close the Cubicle by slide it along the rail to the other side.

2

FIT AND SECURE

2.7



Set the four bottom corners using the Guy Ropes and Pegs

Loop the one end of the Guy Rope through the eyelet and back through the Tensioner. Tie the end of the Guy Rope to the Peg.

3

FINISH

Congratulations! You did it. Take a step back and admire your work!

4

INSTALL OTHER VEHICLE AND RACK ACCESSORIES

Now's the time to visit your favorite Front Runner Dealer in person or online.

Be sure to tag us. We love to see our gear in action! #FrontRunnerOutfitters #BornToRoam

Share your adventures on: 