

# START HERE!

## READ ME FIRST

Don't be a hero and muscle through this installation without reading these fitting instructions first! Improper installation of this gear may void certain aspects of your warranty.

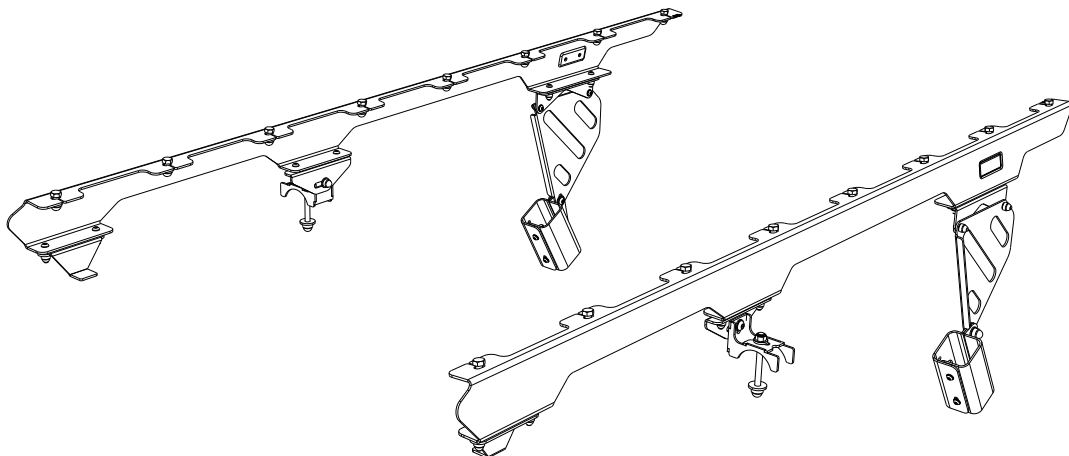
Before you begin, take a moment and open all your Front Runner rack kit boxes and gather the assembly instructions for the various components.

A complete kit will contain:

1. A Front Runner Mounting System specific to your vehicle
2. A Front Runner Rack Tray or Load Bar Slats

This document will guide you through the assembly of the mounting system and assist you in fitting the roof rack tray or load bars to your specific vehicle.

Please refer to the next page for a list of all the components, quantities and tools required.



### IMPORTANT WARNING! ⚠

IT IS CRITICAL THAT ALL FRONT RUNNER PRODUCTS BE PROPERLY AND SECURELY ASSEMBLED AND ATTACHED TO YOUR VEHICLE. IMPROPER ATTACHMENT COULD RESULT IN AN AUTOMOBILE ACCIDENT, AND COULD CAUSE SERIOUS BODILY INJURY OR DEATH. YOU ARE RESPONSIBLE FOR ASSEMBLING AND SECURING ALL FRONT RUNNER PRODUCTS TO YOUR VEHICLE, CHECKING THE ATTACHMENTS PRIOR TO USE, AND PERIODICALLY INSPECTING THE PRODUCTS FOR ADJUSTMENT, WEAR AND DAMAGE. THEREFORE, YOU MUST READ AND UNDERSTAND ALL OF THE INSTRUCTIONS AND PRECAUTIONS SUPPLIED WITH YOUR FRONT RUNNER PRODUCT PRIOR TO INSTALLATION OR USE. IF YOU DO NOT UNDERSTAND ALL OF THE INSTRUCTIONS AND CAUTIONS, OR IF YOU HAVE NO MECHANICAL EXPERIENCE AND ARE NOT THOROUGHLY FAMILIAR WITH THE INSTALLATION PROCEDURES, YOU SHOULD HAVE THE PRODUCT INSTALLED BY A PROFESSIONAL INSTALLER OR OTHER QUALIFIED PERSONNEL.

**NOTE:** Front Runner will not be responsible for any damage caused by the failure to install the product according to these instructions.

Please call us if you have any questions about the installation of this product.



# 1 GET ORGANIZED

## IN THE BOX

1	2 X	Foot Rail 1 LH + 1 RH
2	12 X	M6 x 25 Button Head
3	2 X	Jeep Inner Mount Front
4	2 X	Jeep Inner Bracket Middel
5	2 X	Jeep Inner Bracket Rear
6	2 X	Roll Cage Bracket
7	2 X	Roll Bar Clamp 01 1LH + 1RH
8	2 X	Roll Bar Clamp 02 1LH + 1RH
9	24 X	M6 x 12 x 1 Flat Washer
10	18 X	M6 Nyloc Nut
11	8 X	M6 x 20 Button Head
12	4 X	M8 x 19 x 2 Flat Washer
13	20 X	M8 Nut Cap
14	2 X	M8 x 80 Hex Head Bolt
15	2 X	M8 x 25 x 3 Flat Washer
16	2 X	M8 x 19 x 3 Flat Washer
17	18 X	M8 Nyloc Nut
18	16 X	M8 x 20 Hex Head Bolt

## IN THE BOX

19	20 X	M8 x 16 x 1.6 Flat Washer
20	18 X	M6 Nut Cap
21	2 X	Roll Bar Support 1RH + 1LH
22	2 X	M8 x 25 Button Head Bolt
23	2 X	M8 x 16 Button Head Bolt

## TOOLS NEEDED

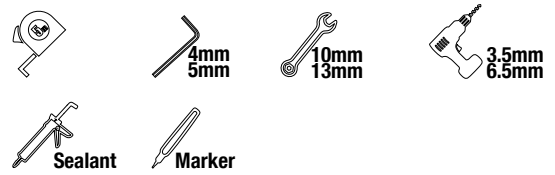
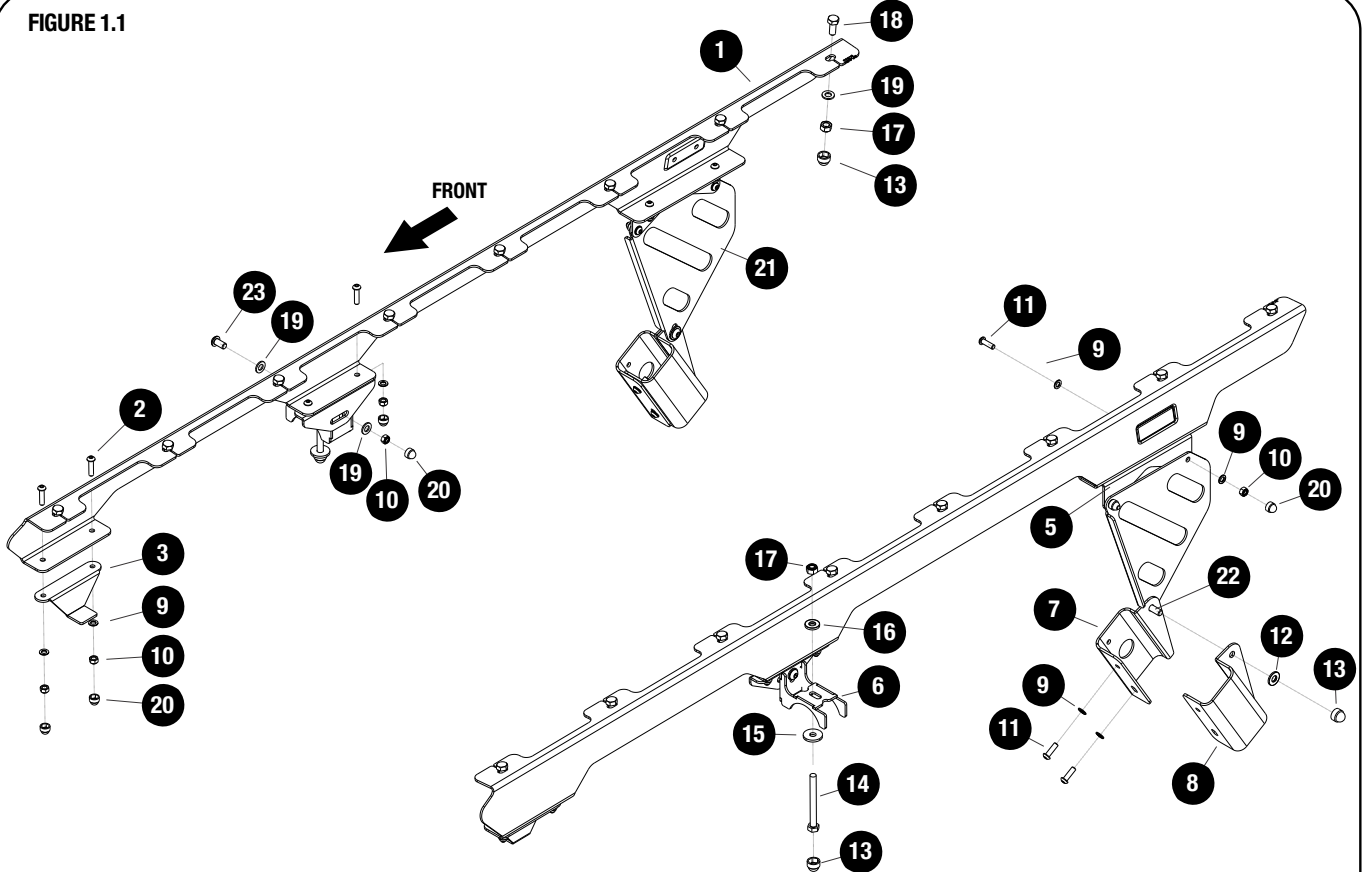
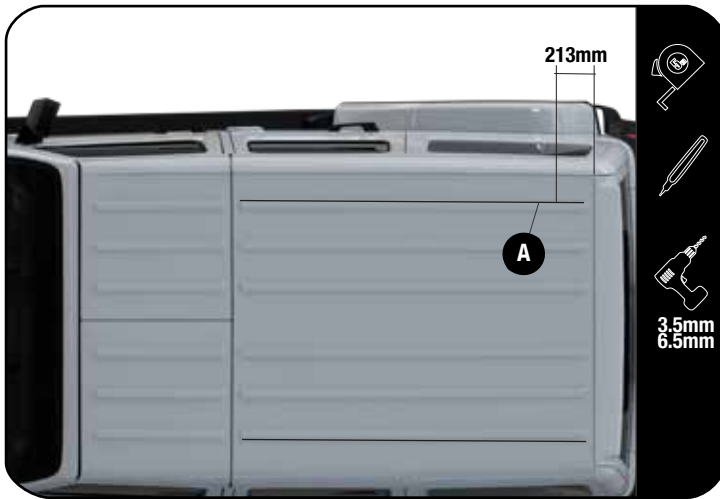


FIGURE 1.1



2.1



Remove the Vehicles Roof.



Look online for videos to assist.

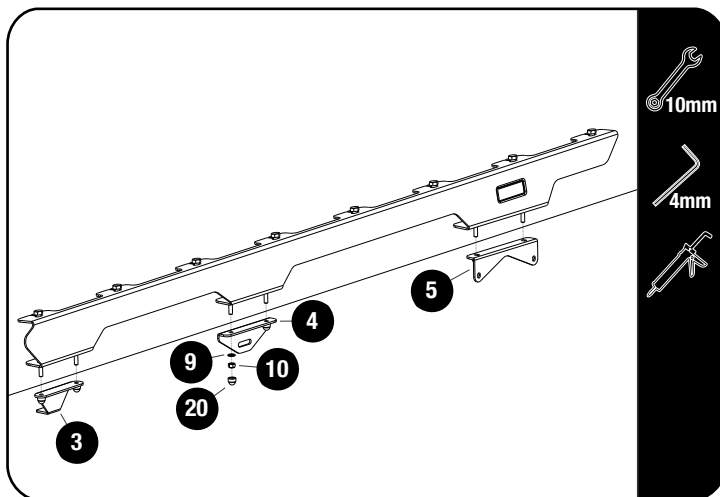
Place the foot rail onto the Roof, making sure the mounting feet are positioned as close as to the raised roof feature as shown (A) and mark 213mm from the roof rear feature line to the rear of the rear foot rail tab.

Line up the rear foot rail tab with the marking you made and mark the slot centres.

Remove the Foot Rail.

Drill 3.5mm Pilot holes on the markings you made earlier and open them up to 6.5mm. Do this for both left and right hand side.

2.2



Apply some Sealant around the drilled holes.

Secure the Foot Rail (Item 1) to the roof using the Jeep Inner Bracket Front, Jeep Inner Mount Middle, Jeep Inner Bracket Rear, M6 x 25 Button Head Bolts, M6 x 12 x 1 Flat Washers and M6 Nyloc Nuts (Items 2, 3, 4, 9 & 10).



**Tightening Torque:**

M6 : 8-10Nm / 5.9 ft lb - 7.38 ft lb

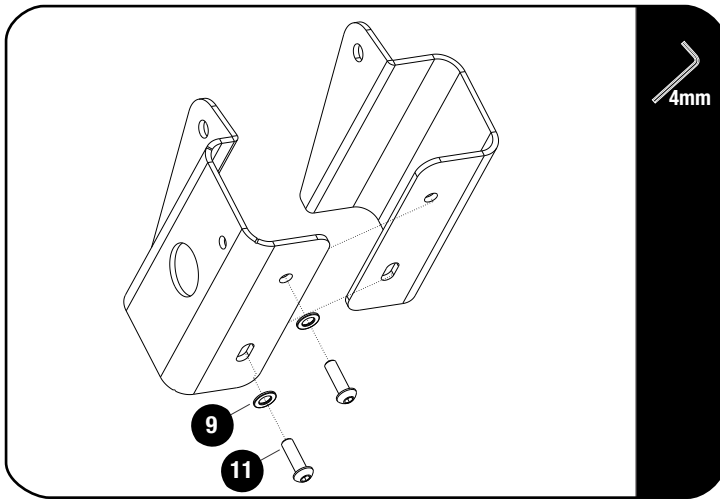
Apply M6 Nut Caps (Item 20) over all Nyloc Nuts (Item 10).

2.3



Loosely assemble the Roll Cage Bracket (Item 6) to the roll bar using M8 x 80 Hex Head Bolt, M8 x 25 x 3 Flat Washers, M8 x 19 x 3 Flat Washers and M8 Nyloc Nuts (Items 14, 15, 16 & 17) as shown in FIG 1.1.

2.4



Loosen the velcro, unzip and remove the padding covering the rollbars.  
Remove the wiring harness and plastic clip from the roll bar.  
Locate the two threaded holes on the underside of the roll bar and secure the Roll Bar Clamp A & B (Items 7 & 8) to the roll bar using M6 x 12 x 1 Flat Washers and M6 x 20 Button Heads (Items 9 & 11). fully tighten



**Tightening Torque:**

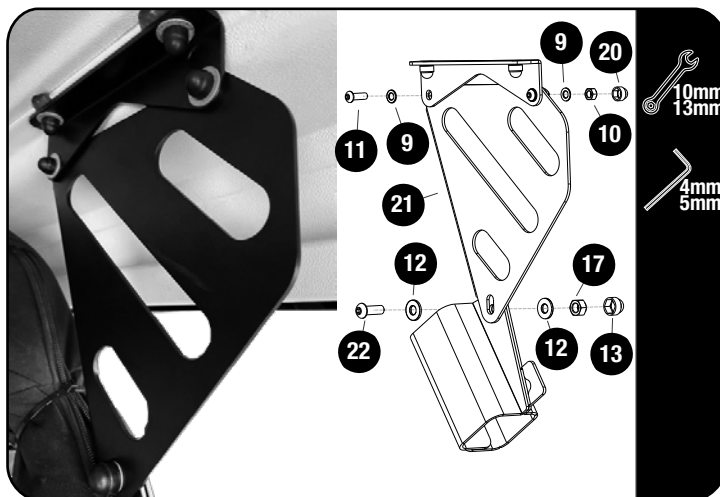
M6 : 8-10Nm / 5.9 ft lb - 7.38 ft lb

Refit the Roof.



Look online for videos to assist.

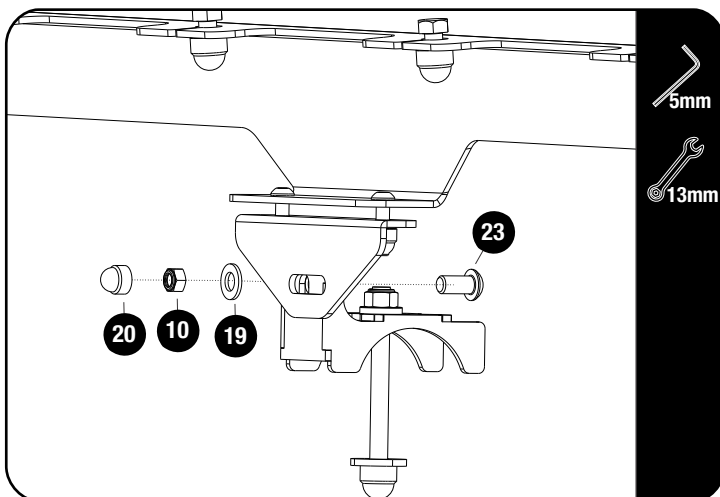
2.5



Loosely assemble the Roll Bar Support Brackets (Item 21) to the Jeep Inner Brackets Rear (Item 5) as shown using M6 x 12 x 1 Flat Washers, M6 Nyloc Nuts, M6 x 20 Button Head Bolts (Items 9, 10 & 11).

Loosely assemble the Roll Bar Support Brackets (Item 21) to the Roll Bar Clamps A & B (Items 7 & 8) using M8 x 19 x 2 Flat Washers, M8 Nyloc Nuts and M8 x 25 Button Head Bolts (Items 12, 17 & 22).

2.6



Secure the Roll cage Bracket (Item 6) from 2.3 to assembly 2.2 using M8 x 16 Button Head Bolts, M8 x 16 x 1.6 Flat Washers and M8 Nyloc Nuts (Items 10, 19 & 23).

Fully Tighten all Fasteners.



**Tightening Torque:**

M6 : 8-10Nm / 5.9 ft lb - 7.38 ft lb



**Tightening Torque:**

M8 : 15-20Nm / 11.06 ft lb - 14.75 ft lb

### 3

## FIT AND SECURE

3.1

Refer to RRSUNI when assembling your Slimline II Tray.

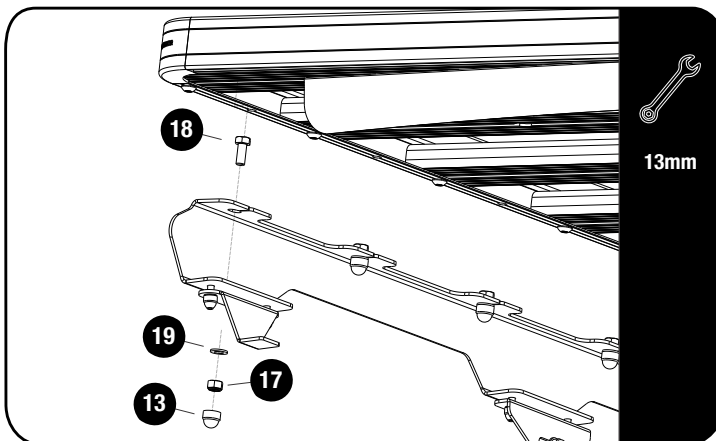


3.2



Make sure that the wind deflector is installed before you proceed to the next step.

3.3



Fit your roof rack to the Foot Rails using M8 x 20 Hex Bolts, M8 x 16 x 1.6 Flat Washers and M8 Nyloc Nuts (Items 17, 18 & 19) as shown.

3.4

Center the rack and tighten fully. Use M8 Nut Caps (Items 13) to finish off the nuts.



### 4

## COMPLETION

4.1

Congratulations! You did it. Take a step back and admire your work!



5

## INSTALL OTHER VEHICLE AND RACK ACCESSORIES

Now's the time to visit your favorite Front Runner dealer in person or online.

### IMPORTANT!

FRONT RUNNER RACK KITS OFTEN HAVE A HIGHER LOAD RATING THAN THE VEHICLES THEY ARE MOUNTED TO. PLEASE REFER TO YOUR SPECIFIC VEHICLE MANUFACTURER FOR A RECOMMENDED ROOF RATING. FRONT RUNNER CANNOT BE RESPONSIBLE FOR IMPROPER LOADING BEYOND THE VEHICLE MANUFACTURER'S STATED LOAD CAPACITY.

Be sure to tag us. We love to see our gear in action! #FrontRunnerOutfitters #BornToRoam

Share your adventures on: 