



START HERE!

READ ME FIRST

Don't be a hero and muscle through this without first reading these fitting instructions! Improper installation of this gear may void certain aspects of your warranty.

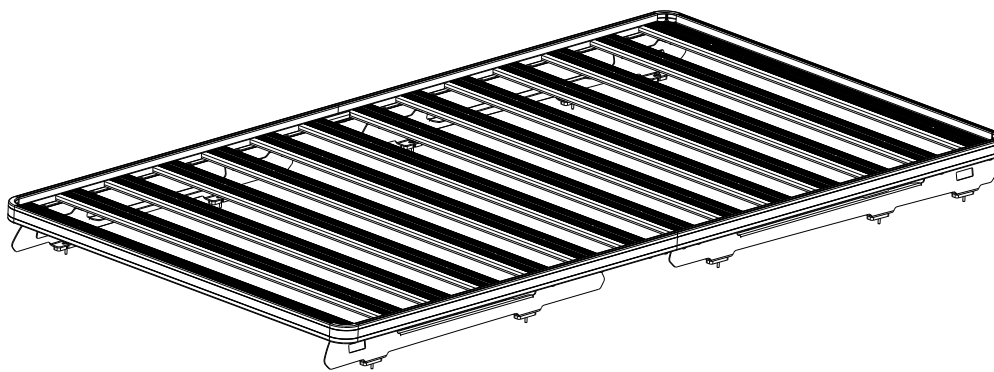
Before you begin, take a moment and open all your Front Runner rack kit boxes and gather the assembly instructions for the various components.

A complete kit will contain:

1. A Front Runner Mounting System specific to your vehicle
2. A Front Runner Rack Tray or Load Bar Slats

This document will guide you through the assembly of the mounting system and assist you in fitting the roof rack tray or load bars to your specific vehicle.

Please refer to the next page for a list of all the components, quantities and tools required.



IMPORTANT WARNING!

IT IS CRITICAL THAT ALL FRONT RUNNER PRODUCTS BE PROPERLY AND SECURELY ASSEMBLED AND ATTACHED TO YOUR VEHICLE. IMPROPER ATTACHMENT COULD RESULT IN AN AUTOMOBILE ACCIDENT, AND COULD CAUSE SERIOUS BODILY INJURY OR DEATH. YOU ARE RESPONSIBLE FOR ASSEMBLING AND SECURING ALL FRONT RUNNER PRODUCTS TO YOUR VEHICLE, CHECKING THE ATTACHMENTS PRIOR TO USE, AND PERIODICALLY INSPECTING THE PRODUCTS FOR ADJUSTMENT, WEAR AND DAMAGE. THEREFORE, YOU MUST READ AND UNDERSTAND ALL OF THE INSTRUCTIONS AND PRECAUTIONS SUPPLIED WITH YOUR FRONT RUNNER PRODUCT PRIOR TO INSTALLATION OR USE. IF YOU DO NOT UNDERSTAND ALL OF THE INSTRUCTIONS AND CAUTIONS, OR IF YOU HAVE NO MECHANICAL EXPERIENCE AND ARE NOT THOROUGHLY FAMILIAR WITH THE INSTALLATION PROCEDURES, YOU SHOULD HAVE THE PRODUCT INSTALLED BY A PROFESSIONAL INSTALLER OR OTHER QUALIFIED PERSONNEL.

NOTE: Front Runner will not be responsible for any damage caused by the failure to install the product according to these instructions.

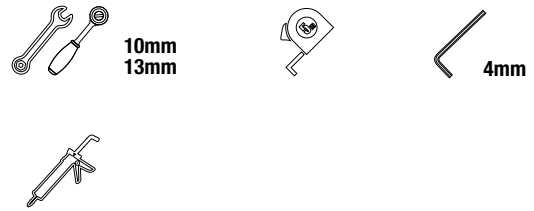
Please call us if you have any questions about the installation of this product.

1 GET ORGANIZED

IN THE BOX

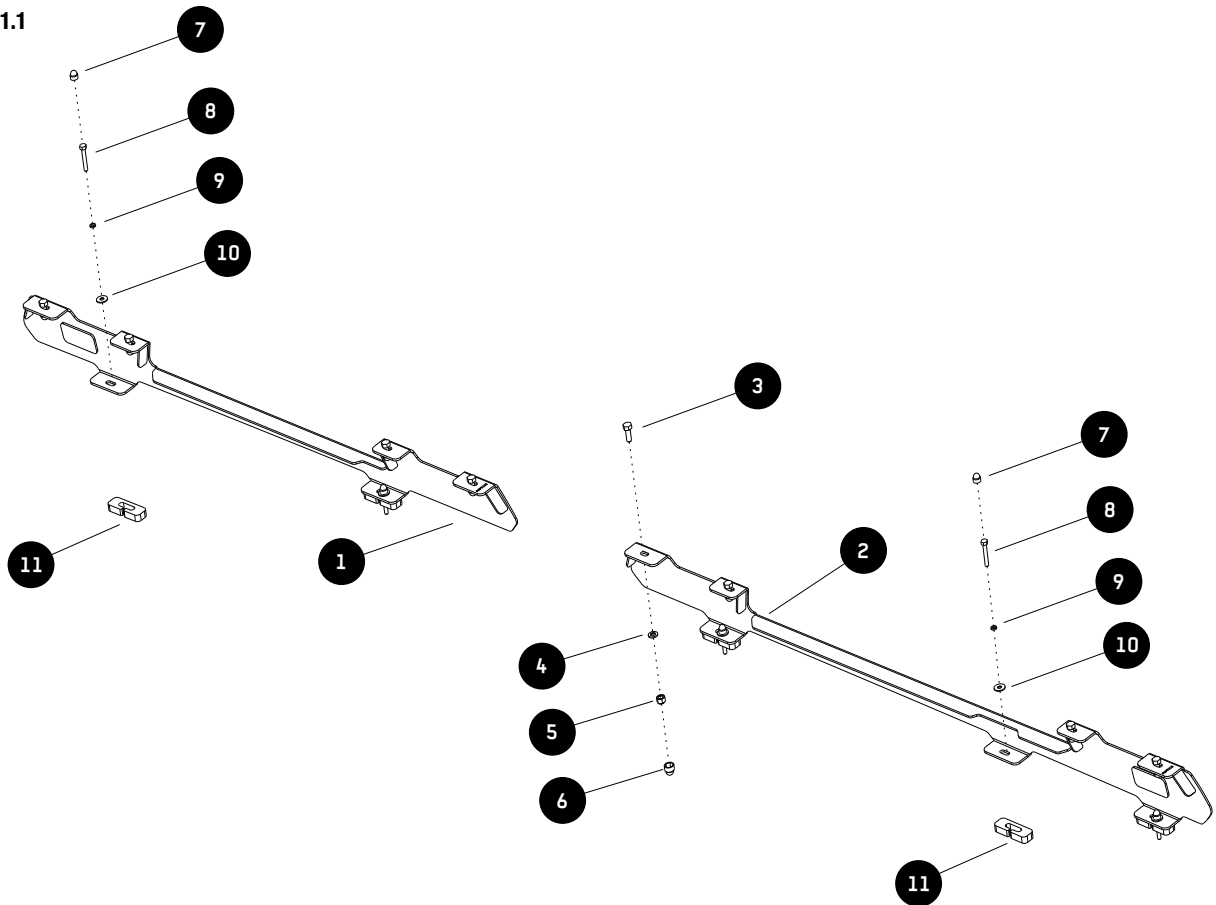
1	2 X	Front Foot Rail; 1LH + 1RH
2	2 X	Rear Foot Rail; 1LH + 1RH
3	16 X	M8 x 20 Hex Bolt
4	16 X	M8 x 16 x 1.6SS Flat Washer
5	16 X	M8 Nyloc Nut
6	16 X	M8 Nut Cap
7	10 X	M6 Nut Cap
8	10 X	M6 x 35 Hex Bolt
9	10 X	M6 SS Spring Washer
10	10 X	M6 x 19 x 1SS Flat Washer
11	10 X	Spacer

TOOLS NEEDED



The Foot Rail Mounting Kit (FAVT002) that you have received is suitable for mounting a Half Rack or a Full Rack. If you have chosen to mount a Half Rack not all of the components supplied will be used. It is suggested that all additional components be stored for use at a later stage should you wish to upgrade to a Full Rack

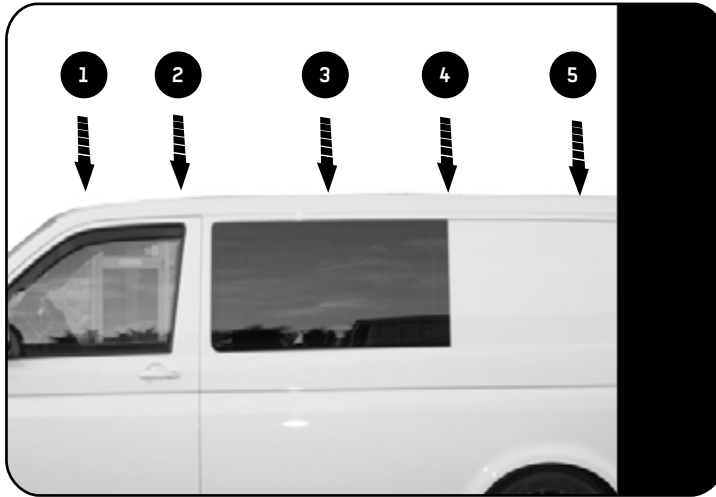
FIGURE 1.1



2

FIT AND SECURE

2.1



If you are installing a Full Rack remove all the OEM Plastic Button Head Bolts, but if you are installing a Half Rack remove the rear Bolts (3, 4 & 5) on the left and right hand side of the vehicle.

2.2



Use a 4mm Hex Allen Key to remove the above identified Bolts from the roof channel.

2.3



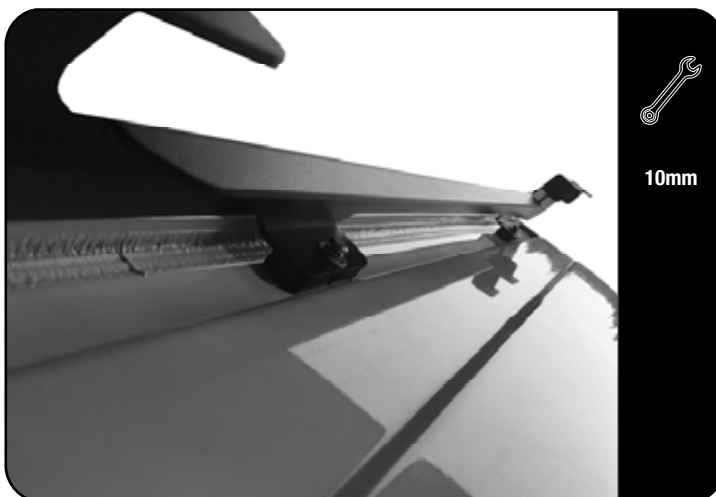
Clean the area around each of the threaded mounting pints and apply a bead of silicone on and around each point. Place a Spacer (Item 11) over each of the mounting points.

2.4



Place the Foot Rails onto the vehicle's roof, lining up the mounting holes in the bottom of the Foot Rails with the mounting points on the vehicle. The product stickers must face outwards from the vehicle as shown.

2.5



Secure the Rear Foot Rails to the vehicle with four M6 x 35 Hex Bolts, four M6 SS Spring Washers and four M6 x 19 x 1SS Flat Washers (Items 8, 9 & 10).

Place M6 Nut Caps (Item 7) over each Bolt Head once fastened.

2.6



Secure the Front Foot Rails to the vehicle with four M6 x 35 Hex Bolts, four M6 SS Spring Washers and four M6 x 19 x 1SS Flat Washers (Items 8, 9 & 10).

Place M6 Nut Caps (Item 7) over each Bolt Head once fastened.

Now that the Foot Rails are installed, move onto assembling your Rack.

3

FIT AND SECURE

3.1

Refer to RRSTUNI fitting instruction when assembling your Slimline II Tray.

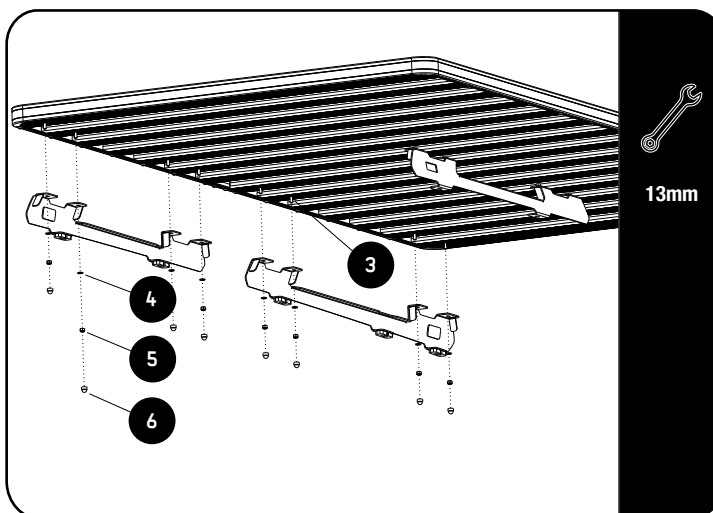


3.2



Make sure that the wind deflector is installed before you proceed to the next step.

3.3



Fit your roof rack to the Foot Rails using M8 x 20 Hex Bolts, M8 x 16 x 1.6SS Flat Washers and M8 Nyloc Nuts (Items 3, 4 & 5).

13mm

3.4

Center the rack and tighten fully. Use M8 Nut Caps (Items 6) to finish off the nuts.

4

COMPLETION

4.1

Congratulations! You did it. Take a step back and admire your work!



5

INSTALL OTHER VEHICLE AND RACK ACCESSORIES

Now's the time to visit your favorite Front Runner Dealer in person or online.

IMPORTANT!

FRONT RUNNER RACK KITS OFTEN HAVE A HIGHER LOAD RATING THAN THE VEHICLES THEY ARE MOUNTED TO. PLEASE REFER TO YOUR SPECIFIC VEHICLE MANUFACTURER FOR A RECOMMENDED ROOF RATING. FRONT RUNNER CANNOT BE RESPONSIBLE FOR IMPROPER LOADING BEYOND THE VEHICLE MANUFACTURER'S STATED LOAD CAPACITY.

Be sure to tag us. We love to see our gear in action! #FrontRunnerOutfitters #BornToRoam

Share your adventures on: 