

START HERE!

READ ME FIRST

Don't be a hero and muscle through this installation without reading these fitting instructions first! Improper installation of this gear may void certain aspects of your warranty.

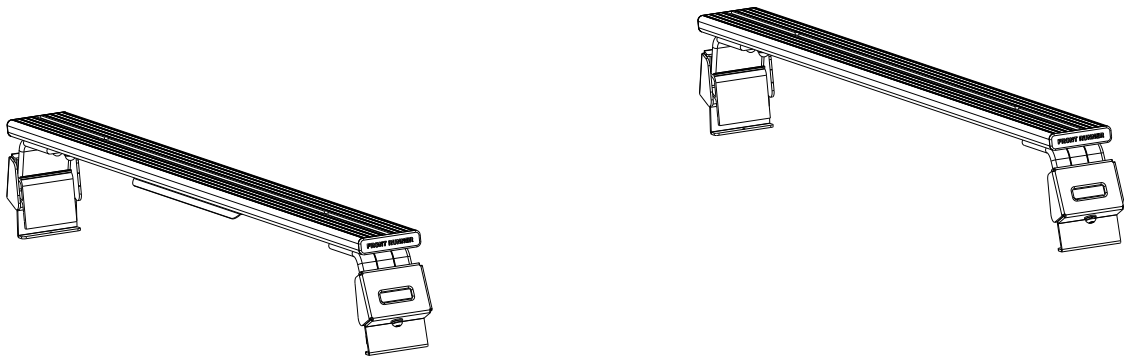
Before you begin, take a moment and open all your Front Runner rack kit boxes and gather the assembly instructions for the various components.

A complete kit will contain:

1. A Front Runner Mounting System specific to your vehicle
2. A Front Runner Rack Tray or Load Bar Slats

This document will guide you through the assembly of the mounting system and assist you in fitting the roof rack tray or load bars to your specific vehicle.

Please refer to the next page for a list of all the components, quantities and tools required.



IMPORTANT WARNING!

IT IS CRITICAL THAT ALL FRONT RUNNER PRODUCTS BE PROPERLY AND SECURELY ASSEMBLED AND ATTACHED TO YOUR VEHICLE. IMPROPER ATTACHMENT COULD RESULT IN AN AUTOMOBILE ACCIDENT, AND COULD CAUSE SERIOUS BODILY INJURY OR DEATH. YOU ARE RESPONSIBLE FOR ASSEMBLING AND SECURING ALL FRONT RUNNER PRODUCTS TO YOUR VEHICLE, CHECKING THE ATTACHMENTS PRIOR TO USE, AND PERIODICALLY INSPECTING THE PRODUCTS FOR ADJUSTMENT, WEAR AND DAMAGE. THEREFORE, YOU MUST READ AND UNDERSTAND ALL OF THE INSTRUCTIONS AND PRECAUTIONS SUPPLIED WITH YOUR FRONT RUNNER PRODUCT PRIOR TO INSTALLATION OR USE. IF YOU DO NOT UNDERSTAND ALL OF THE INSTRUCTIONS AND CAUTIONS, OR IF YOU HAVE NO MECHANICAL EXPERIENCE AND ARE NOT THOROUGHLY FAMILIAR WITH THE INSTALLATION PROCEDURES, YOU SHOULD HAVE THE PRODUCT INSTALLED BY A PROFESSIONAL INSTALLER OR OTHER QUALIFIED PERSONNEL.

NOTE: Front Runner will not be responsible for any damage caused by the failure to install the product according to these instructions.

Please call us if you have any questions about the installation of this product.



1 GET ORGANIZED

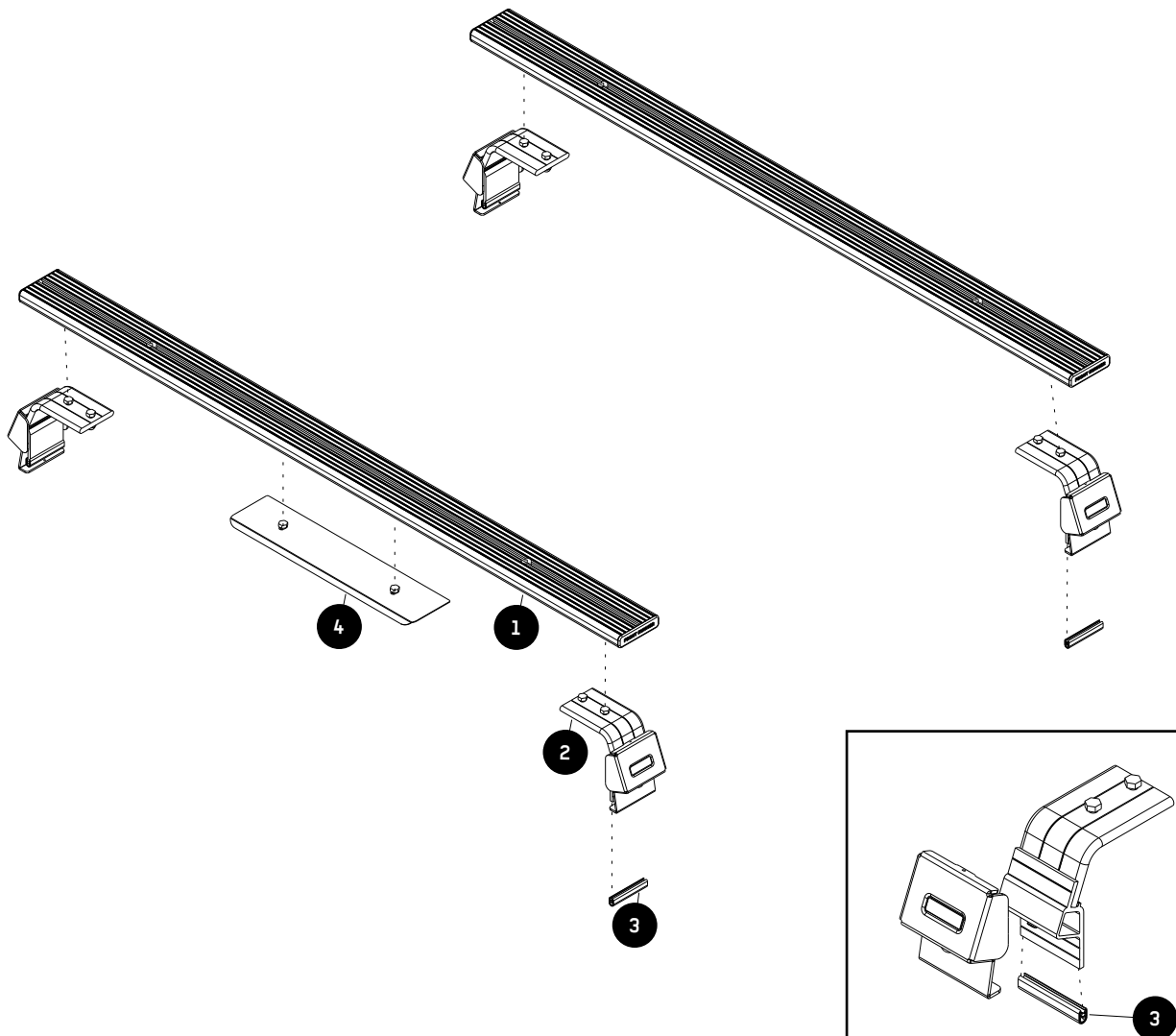
IN THE BOX

1	1 X	Load Bar 1345mm (L)
2	4 X	Load Bar Leg
3	2 X	Pinch Weld (Pack of 6)
4	1 X	Wind Deflector 10mm

TOOLS NEEDED



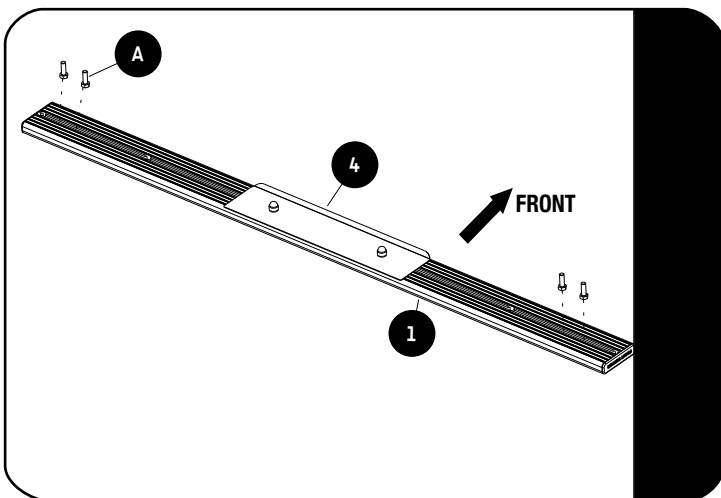
FIGURE 1.1



2

FIT AND SECURE

2.1



Refer to WDLB001 Fitment Guide before continuing to 2.1.

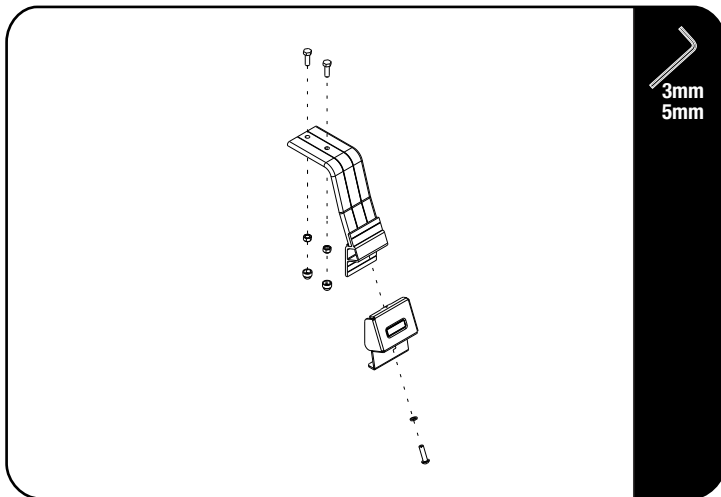


Flip the Load Bar so that the bottom of the Wind Deflector faces up. Place the remaining Load Bar next to it.



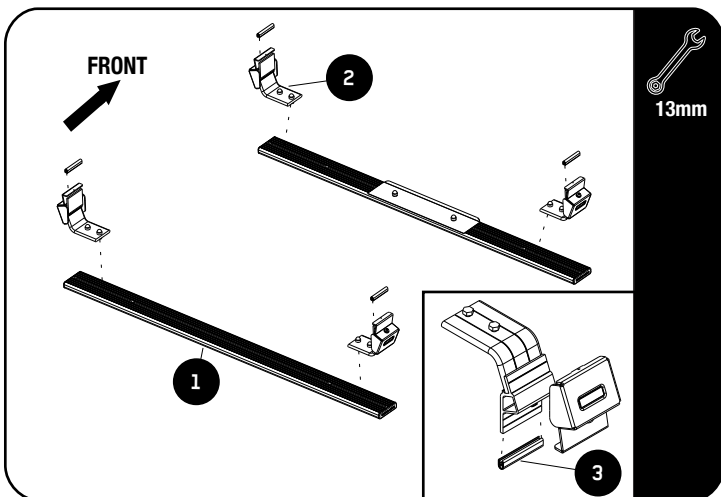
Insert 2 x M8x25 Hex Bolts into each side of the the machined slots in the slats as shown. Do this for both Load Bars.

2.2



Refer to LASSUNI fitment guide.

2.3



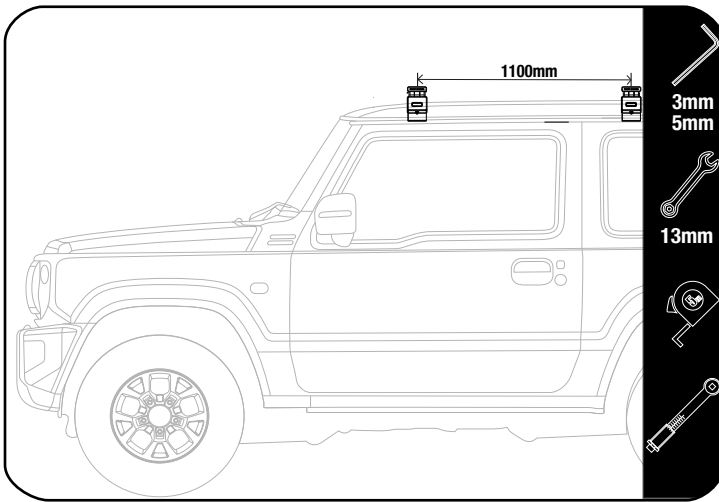
Loosely mount the 2 x legs (Item 2) to the slats indicated using M8 Schnorr Washers and M8 Nyloc Nuts included in the Leg sets.

Assemble the Legs, as shown, with the Pinch Weld (Item 3).

3

FIT AND SECURE

3.2



 Place your Load Bars on the vehicle positioning all the Legs so that they rest on the gutters.

Position the Bars 1100mm from the centre of the first bar to the centre of the second bar and centralize on the roof.



Tightening Torque:

M6 : 8-10Nm / 5.9 ft lb - 7.38 ft lb



Tightening Torque:

M8 : 15-20Nm / 11.06 ft lb - 14.75 ft lb



Make sure there are no movement on the bars after fully tightening all the fasteners.

3.3

Center the rack and tighten fully. Finish off by placing M8 Nut Caps over the M8 Nyloc Nuts.



4

INSTALL OTHER VEHICLE AND RACK ACCESSORIES

Now's the time to visit your favorite Front Runner Dealer in person or online.

IMPORTANT! 

FRONT RUNNER RACK KITS OFTEN HAVE A HIGHER LOAD RATING THAN THE VEHICLES THEY ARE MOUNTED TO. PLEASE REFER TO YOUR SPECIFIC VEHICLE MANUFACTURER FOR A RECOMMENDED ROOF RATING. FRONT RUNNER CANNOT BE RESPONSIBLE FOR IMPROPER LOADING BEYOND THE VEHICLE MANUFACTURER'S STATED LOAD CAPACITY.

Be sure to tag us. We love to see our gear in action! #FrontRunnerOutfitters #BornToRoam

Share your adventures on:

