**READ ME !** 

Thank you for purchasing a Front Runner Mercedes Sprinter H2 Ladder.

Before you start, take a moment to familiarize yourself with the Fitting Instructions and the included components.

Refer to Page 2 for a list of all the components, quantities and tools required.

IMPORTANT WARNING! 

IT IS CRITICAL THAT ALL FRONT RUNNER PRODUCTS BE PROPERLY AND SECURELY ASSEMBLED AND ATTACHED TO YOUR VEHICLE. IMPROPER ATTACHMENT COULD RESULT IN AN AUTOMOBILE ACCIDENT, AND COULD CAUSE SERIOUS BODILY INJURY OR DEATH. YOU ARE RESPONSIBLE FOR ASSEMBLING AND SECURING ALL FRONT RUNNER PRODUCTS TO YOUR VEHICLE, CHECKING THE ATTACHMENTS PRIOR TO USE, AND PERIODICALLY INSPECTING THE PRODUCTS FOR ADJUSTMENT, WEAR AND DAMAGE. THEREFORE, YOU MUST READ AND UNDERSTAND ALL OF THE INSTRUCTIONS AND PRECAUTIONS SUPPLIED WITH YOUR FRONT RUNNER PRODUCT PRIOR TO INSTALLATION OR USE. IF YOU DO NOT UNDERSTAND ALL OF THE INSTRUCTIONS AND CAUTIONS, OR IF YOU HAVE NO MECHANICAL EXPERIENCE AND ARE NOT THOROUGHLY FAMILIAR WITH THE INSTALLATION PROCEDURES, YOU SHOULD HAVE THE PRODUCT INSTALLED BY A PROFESSIONAL INSTALLER OR OTHER QUALIFIED PERSONNEL.

NOTE: Front Runner will not be responsible for any damage caused by the failure to install the product according to these instructions.

Please call us if you have any questions about the installation of this product.



1 GET ORGANIZED

IN THE BOX

1	1 X	Ladder Top Assembly
2	12 X	M6 x 16 Button Head Bolt
3	2 X	Ladder Side Top
4	2 X	Ladder Side Bottom
5	2 X	Outer Joiner Channel
6	2 X	Inner Joiner Channel
7	2 X	Ladder Base LH & RH
8	7 X	Rung
9	1 X	Ladder Base Mount Assembly
10	14 X	M6 x 25 Thread Forming Screw
11	10 X	M6 Nut Cap
12	13 X	M6 Nyloc Nut
13	3 X	M6 x 20 Button Head Bolt
14	3 X	M6 x 20 x 2 Flat Washer

IN THE BOX

15	2 X	M8 x 19 x 2 Flat Washer
16	4 X	M8 Nyloc Nut
17	2 X	M8 Nut Cap
18	2 X	M8 x 16 Button Head Bolt
19	2 X	Ladder Top Side Bracket LH & RH

TOOLS NEEDED

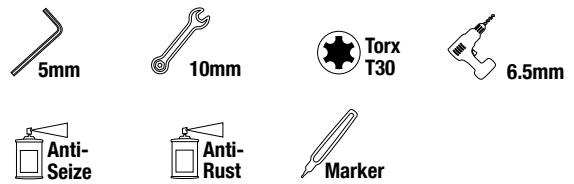
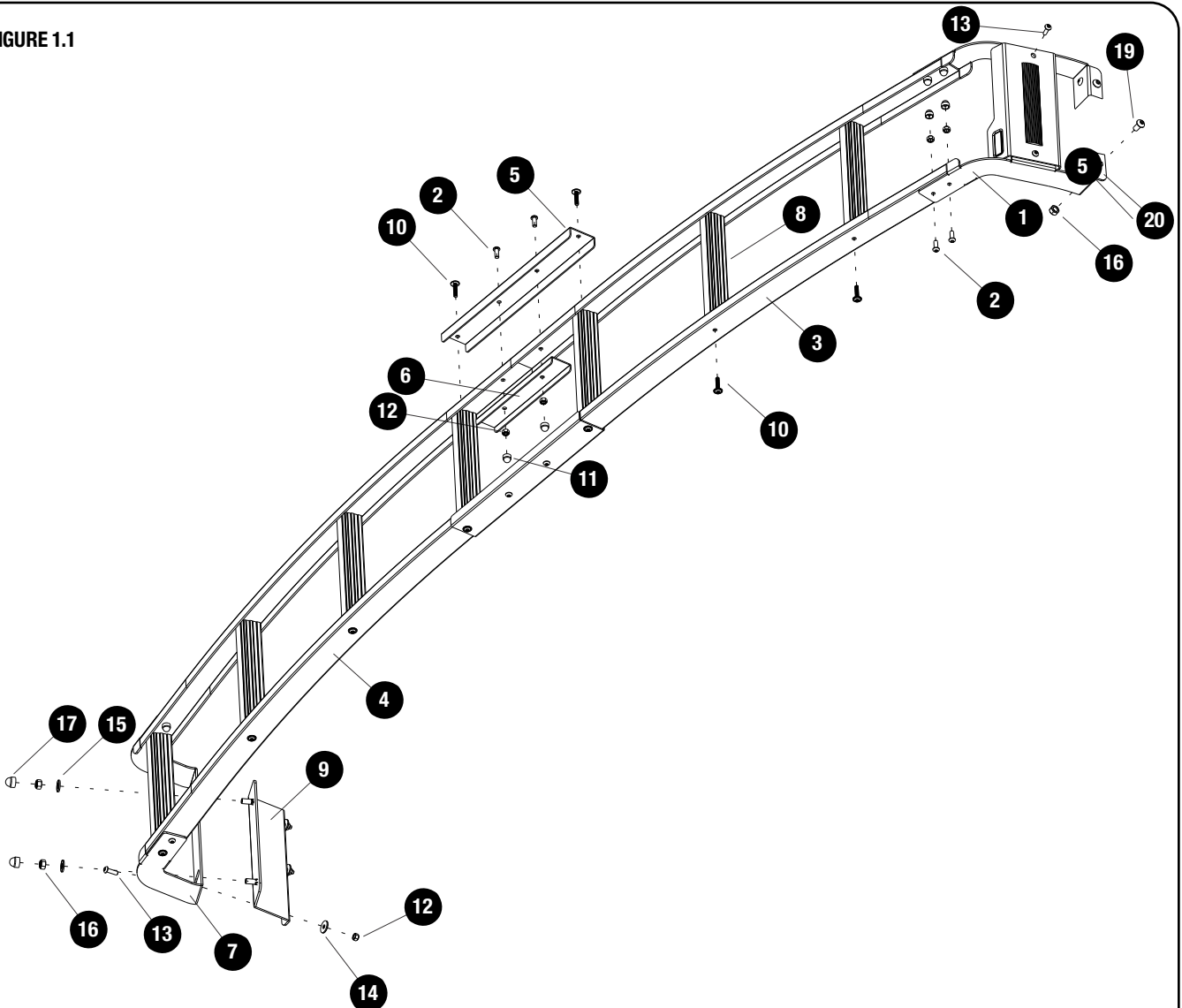


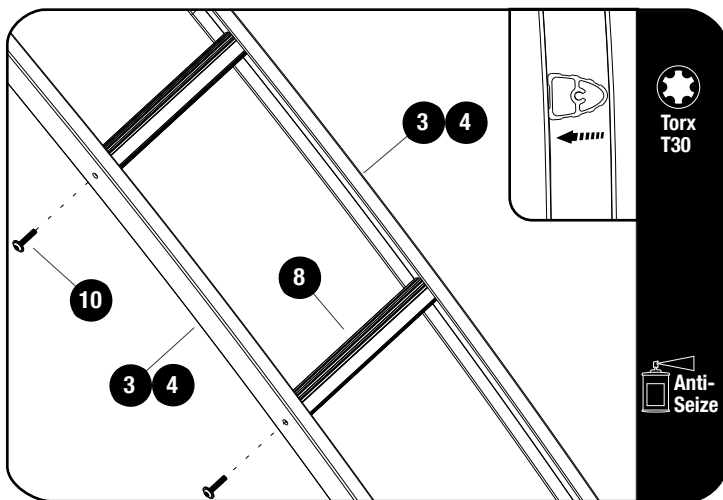
FIGURE 1.1



2

FIT AND SECURE

2.1



Apply a little Anti seize/oil on screw threads before inserting.



Secure the Ladder Rungs (Item 8) to the Top and Bottom Ladder Sides (Item 3 & 4) using M6 x 25 Thread Forming Screws (Item 10).

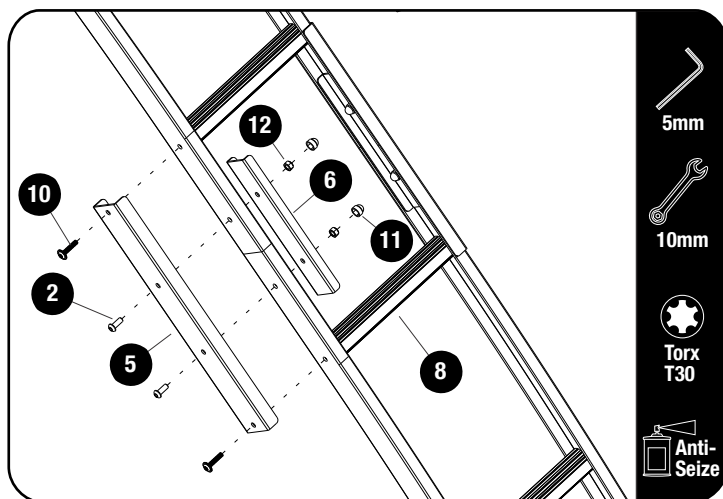
Fully tighten all fasteners.



Tightening Torque:

M6 : 8-10Nm / 5.9 ft lb - 7.38 ft lb

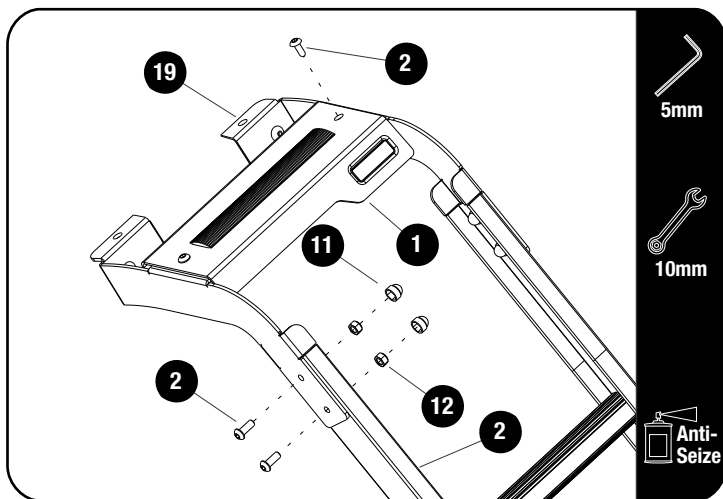
2.2



Join the Ladder Top and Bottom assemblies using the Outer and Inner Joiner Channels (Items 5 & 6). Secure using M6 x 16 Button head bolts with M6 Nyloc Nuts (Items 2 & 12) in the center.

Secure the middle Rungs (Item 8) using Thread Forming Screws (Item 10) as shown.

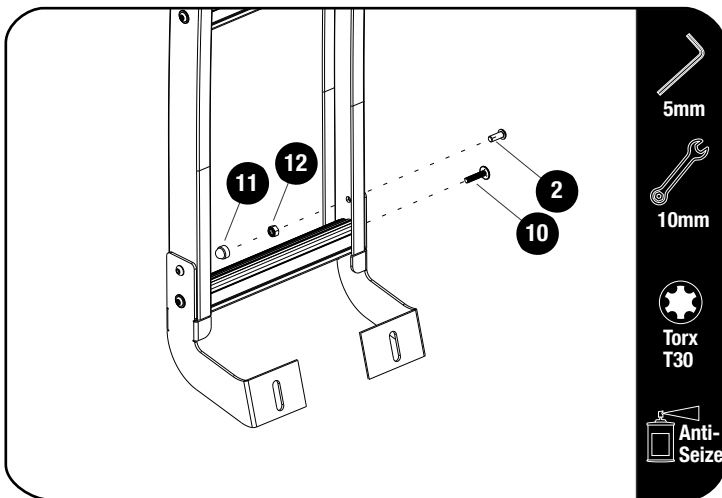
2.3



Secure the Ladder Top (Item 1) to the Ladder Top Side Bracket, using M6 x 20 Button Head Bolts (Item 2), before securing this assembly to the Ladder Side (Item 3) using M6 x 16 Button Head Bolts and M6 Nyloc Nuts (Items 2 & 12) as shown.

Place M6 Nut Caps (Item 11) over all Nyloc Nuts.

2.4



Loosely secure the Ladder Base (Item 7) to the bottom assembly of the ladder, using M6 x 16 Button Head Bolts and M6 Nyloc Nuts (Items 11 & 12) as shown.

Slide the last Rung (Item 8) into place and secure using Thread Forming Screw (Item 10).

Fully tighten all fasteners.

Place M6 Nut Caps (Item 11) over all Nyloc Nuts.

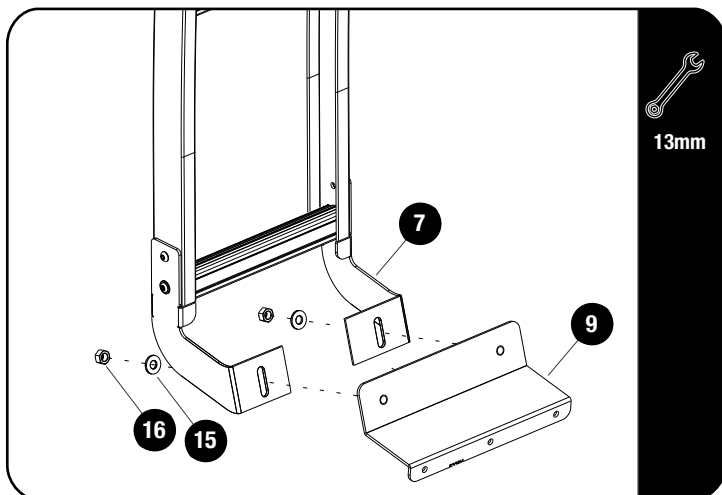
5mm



10mm

Torx
T30Anti-
Seize

2.5



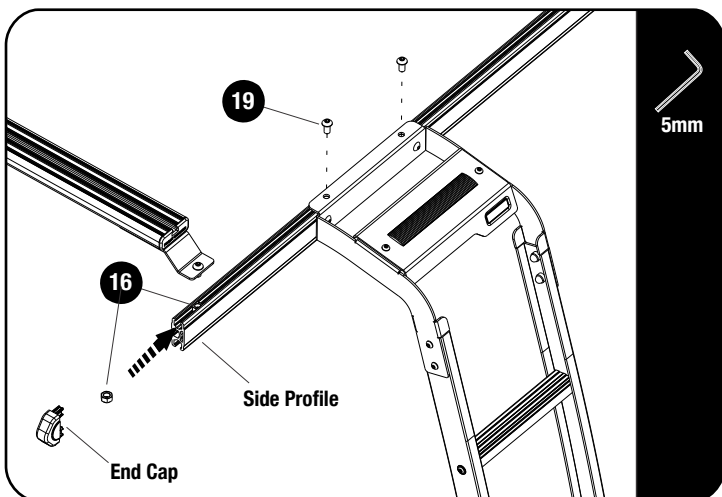
Loosely fit the Base Mount (Item 9) to the Ladder Base (Item 7) using M8 x 19 x 2 Flat Washer and M8 Nyloc Nut (Items 15 & 16) as shown.



The Base mount will be fully tightened in 2.7.

13mm

2.6



Choose where you want to locate the Ladder on the vehicle.

To secure the Ladder to the Van Rack and the vehicle, remove the end cap from the Side Profile.

Loosen the required slats.

Slide two M8 Nyloc Nuts (Item 16) into the Side Profile.

Loosely fit the Ladder using the M8 Nyloc Nuts and M8 x 16 Button Head Bolts (Item 19) as shown.

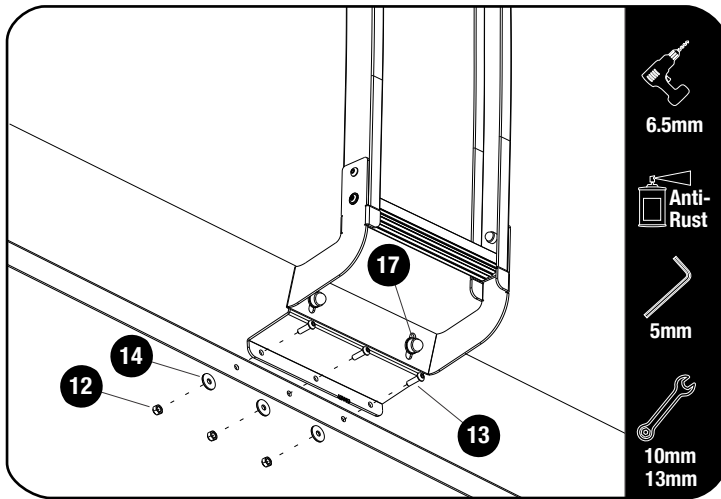


NOTE: This Ladder can not be mounted behind the sliding side door.

5mm

2 FIT AND SECURE

2.7



Mark the holes in the Ladder Base Mount onto the bottom lip of the vehicles side panel.

Drill 6.5mm holes on the marks you made.
Apply Anti-Rust around all holes drilled.

Secure the Ladder Base Mount to the bottom lip using M6 x 20 Button Head Bolts, M6 x 20 x 2 and M6 Nyloc Nuts (Items 12, 13 & 14) as shown.

Apply pressure from the top before fully tightening the M8 Nyloc Nuts fitted in 2.5. Place M8 Nut Caps on the M8 Nyloc Nuts.





3 FINISH

Congratulations! You did it. Take a step back and admire your work!

4 INSTALL OTHER VEHICLE AND RACK ACCESSORIES

Now's the time to visit your favorite Front Runner Dealer in person or online.

Be sure to tag us. We love to see our gear in action! #FrontRunnerOutfitters #BornToRoam

Share your adventures on:    

Looselt fit the Base Mount (Item 9)