

# START HERE!

## READ ME FIRST

Don't be a hero and muscle through this installation without reading these fitting instructions first! Improper installation of this gear may void certain aspects of your warranty.

Before you begin, take a moment and open all your Front Runner rack kit boxes and gather the assembly instructions for the various components.

A complete kit will contain:

1. A Front Runner Mounting System specific to your vehicle
2. A Front Runner Rack Tray or Load Bar Slats

This document will guide you through the assembly of the mounting system and assist you in fitting the roof rack tray or load bars to your specific vehicle.

Please refer to the next page for a list of all the components, quantities and tools required.



### IMPORTANT WARNING!

IT IS CRITICAL THAT ALL FRONT RUNNER PRODUCTS BE PROPERLY AND SECURELY ASSEMBLED AND ATTACHED TO YOUR VEHICLE. IMPROPER ATTACHMENT COULD RESULT IN AN AUTOMOBILE ACCIDENT, AND COULD CAUSE SERIOUS BODILY INJURY OR DEATH. YOU ARE RESPONSIBLE FOR ASSEMBLING AND SECURING ALL FRONT RUNNER PRODUCTS TO YOUR VEHICLE, CHECKING THE ATTACHMENTS PRIOR TO USE, AND PERIODICALLY INSPECTING THE PRODUCTS FOR ADJUSTMENT, WEAR AND DAMAGE. THEREFORE, YOU MUST READ AND UNDERSTAND ALL OF THE INSTRUCTIONS AND PRECAUTIONS SUPPLIED WITH YOUR FRONT RUNNER PRODUCT PRIOR TO INSTALLATION OR USE. IF YOU DO NOT UNDERSTAND ALL OF THE INSTRUCTIONS AND CAUTIONS, OR IF YOU HAVE NO MECHANICAL EXPERIENCE AND ARE NOT THOROUGHLY FAMILIAR WITH THE INSTALLATION PROCEDURES, YOU SHOULD HAVE THE PRODUCT INSTALLED BY A PROFESSIONAL INSTALLER OR OTHER QUALIFIED PERSONNEL.

**NOTE:** Front Runner will not be responsible for any damage caused by the failure to install the product according to these instructions.

Please call us if you have any questions about the installation of this product.



# 1 GET ORGANIZED

Depending on which size Slimpro Canopy Rack you order, quantities may vary from those pictured.

## IN THE BOX

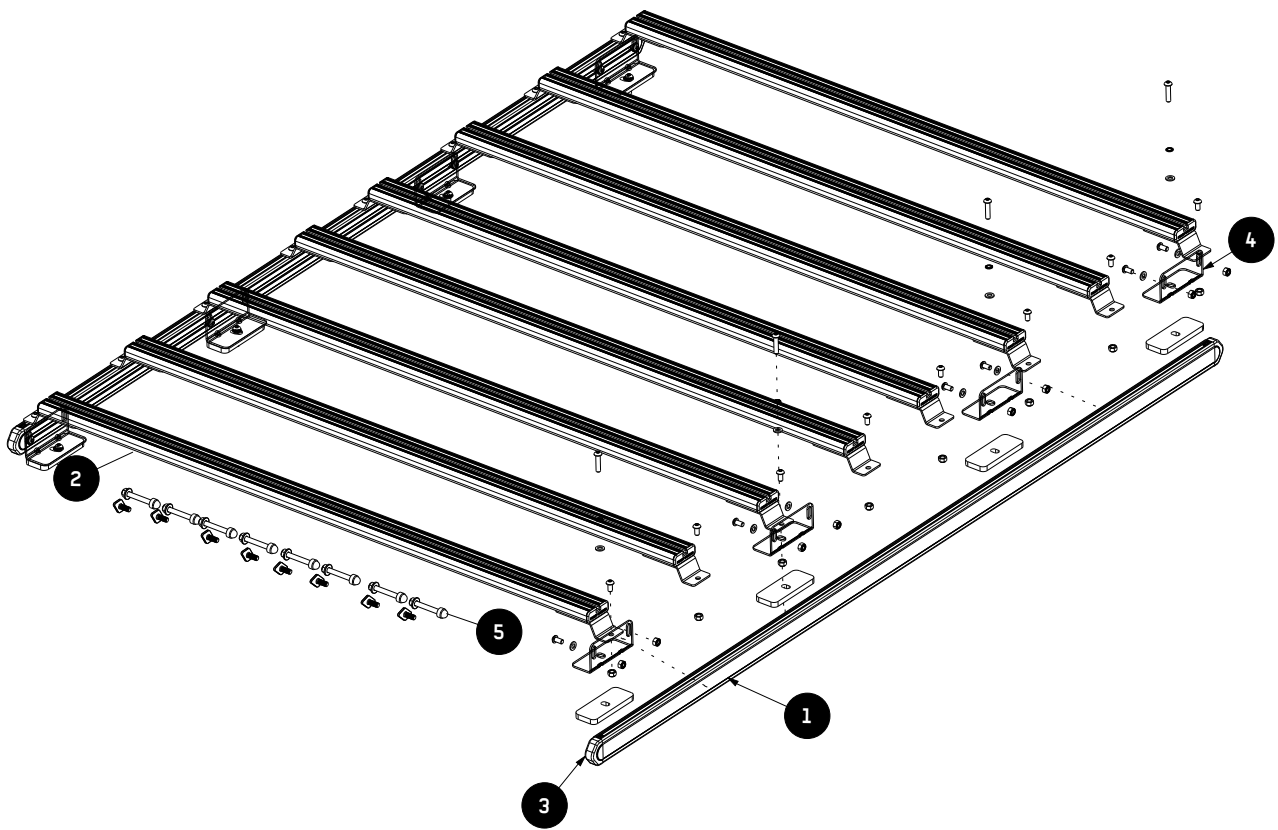
- |   |              |
|---|--------------|
| 1 | Side Profile |
| 2 | Narrow Slat  |
| 3 | End Piece    |
| 4 | Foot Pairs   |
| 5 | Bolt Kit     |

## TOOLS NEEDED



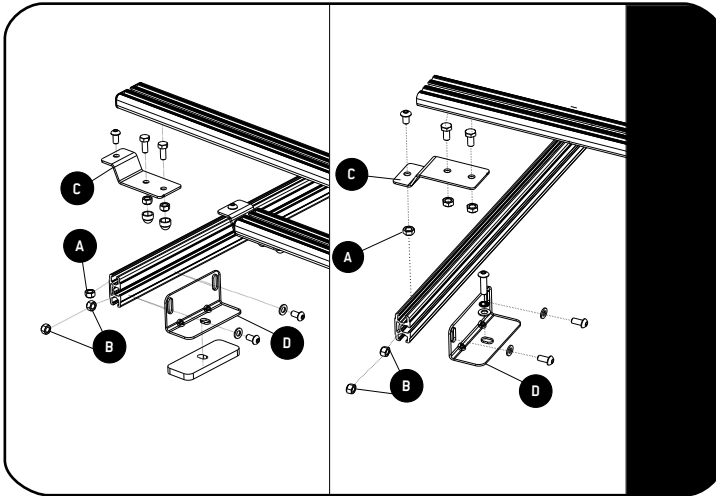
For fitment onto canopies without tracks, follow instructions starting on page 3.

For fitment onto canopies with tracks, follow instructions starting on page 4.



## FIT AND SECURE - FITMENT DIRECTLY TO CANOPY ROOF - NO TRACK PRESENT

2.1



Slide the M8 Nut marked A into the top of the side profile as shown.

Slide the M8 Nut marked B into the Middle of the side profile as shown.

Loosely assemble the Narrow slat Bracket marked C to the M8 Nut in to top of the side profile.

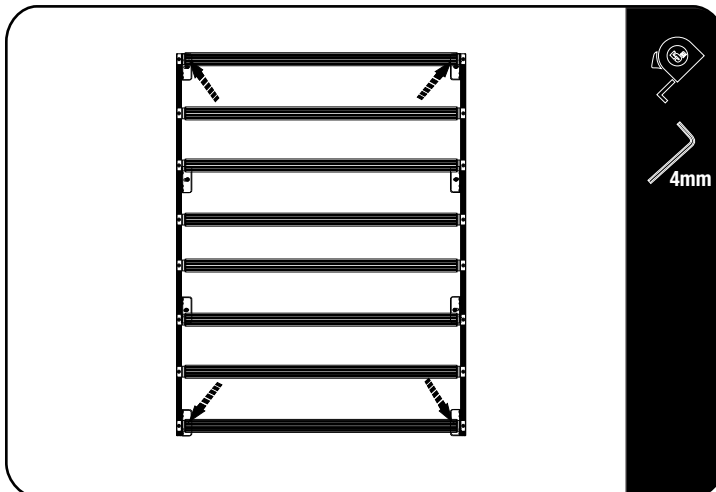
Loosely assemble the Foot Mounting Bracket marked D to the M8 nut on the side of the side profile as shown.

The Slat Z brackets can be inverted as shown if you wish to have the rack lower on your vehicle. This will depend on the width of your canopy.

The slats can be cut shorter to facilitate the lower mounting position at your own risk. This should be done by a qualified professional.

**DO NOT FULLY TIGHTEN.**

2.2



Square the Side Profiles and Slats up before fully tightening all the fasteners.

Space the 4 feet per side evenly.

Using a tape measure, measure from the one corner across to the other corner. Do the same on the opposite corners, if the two measurements are the same the rack will be square.

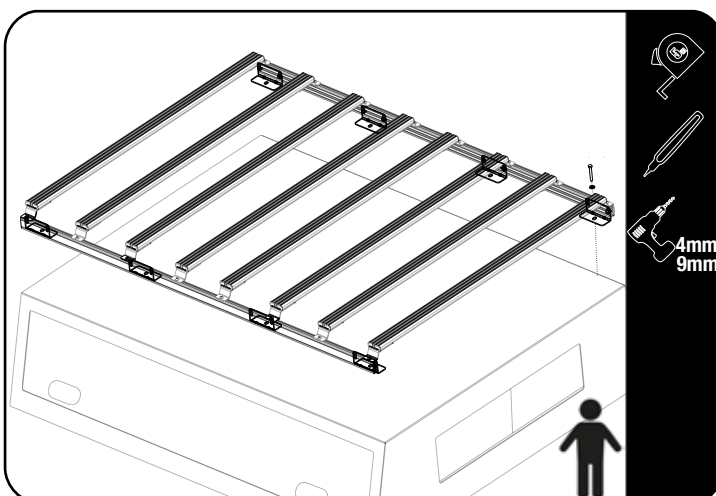
Fully tighten all the M8 x 16 Button Head Bolts.



### Tightening Torque:

**M8 : 15-20Nm / 11.06 ft lb - 14.75 ft lb**

2.3



With the help of a friend, Lift the Roof Rack onto the canopy.

Using a tape measure center the roof rack to the canopy.

Using a marking pen mark the holes per side and remove the roof rack from the canopy. Do this on both the LH and RH side.

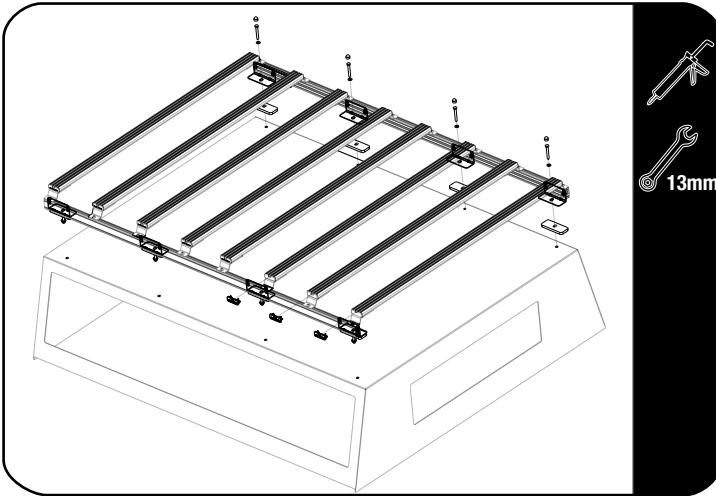
Before drilling, ensure there are no obstructions on the inside of the canopy roof that may get damaged or prohibit your fitment.

Use a 4mm drill bit to drill the pilot holes and open up to a 9mm hole using a 9mm drill bit.

## 2

### FIT AND SECURE - NO TRACK FITMENT

2.4



Place a bead of silicon over the holes drilled and place the spacers over the holes drilled.

Using the M8 x 60 Hex bolts, M8 x 16 x 1 Flat washers and M8 Nyloc Nuts and Mount the Roof Rack to the canopy.

Fully Tighten all Fasteners.

Fit the Narrow slat end caps as shown.



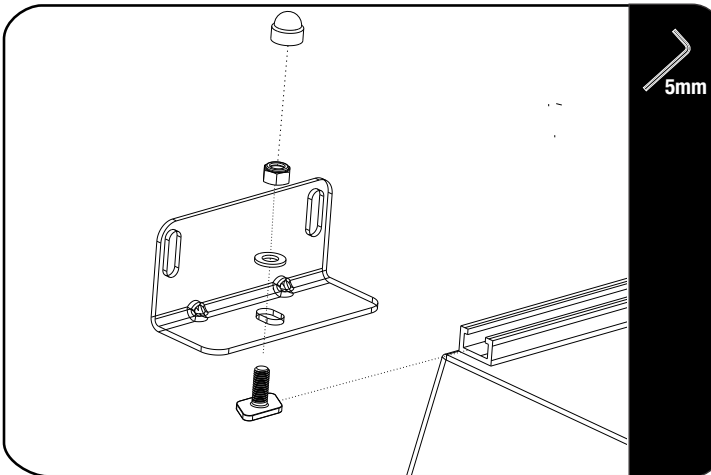
**Tightening Torque:**

M8 : 15-20Nm / 11.06 ft lb - 14.75 ft lb

## 3

### FIT AND SECURE - FITMENT WITH A TRACK.

3.1



Slide the M8 x 20 T-Bolt into the Track Channel as shown.

Place foot on top of the Track and loosely tighten the M8 Nyloc nut to the M8 T-Bolt.

Do this with the remaining feet.

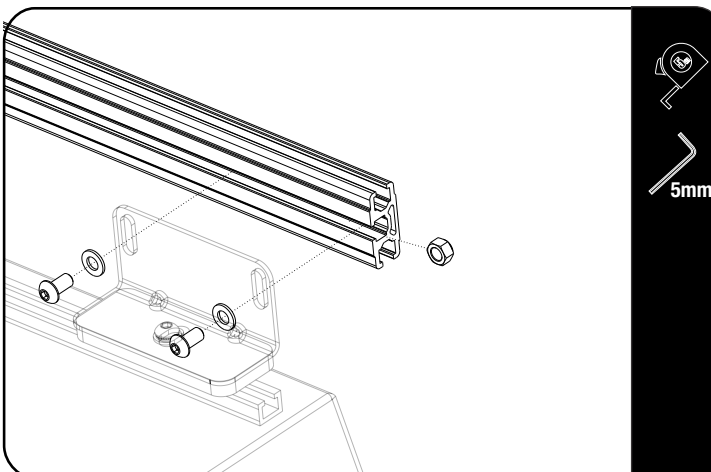
Using a tape measure evenly space out the feet and fully tighten in place.



**Tightening Torque:**

M8 : 15-20Nm / 11.06 ft lb - 14.75 ft lb

3.2



Slide 2 x M8 Nyloc Nut into the side profile as shown.

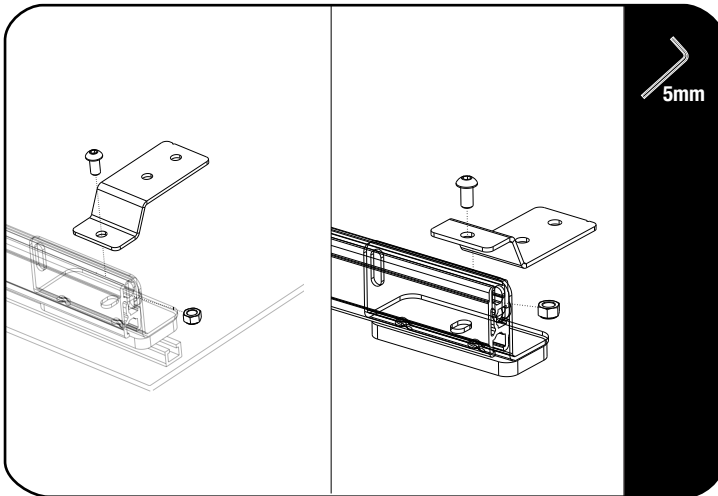
Loosely bolt the side profile to the feet fitted in 3.1 using the M8 x 16 Button Head bolts and M8 x 16 x 1 Flat Washer.

Using a Tape Measure Center the side profile to the feet and fully tighten the M8 x 16 Button Head bolts.



**Tightening Torque:**

M8 : 15-20Nm / 11.06 ft lb - 14.75 ft lb

**3****FIT AND SECURE - TRACK FITMENT****3.3**

Slide the M8 Nyloc Nut in to the top channel of the Side Profile and loosely fit the Narrow Slat Bracket to the Side profile using the M8 x 16 Button Head Bolts.

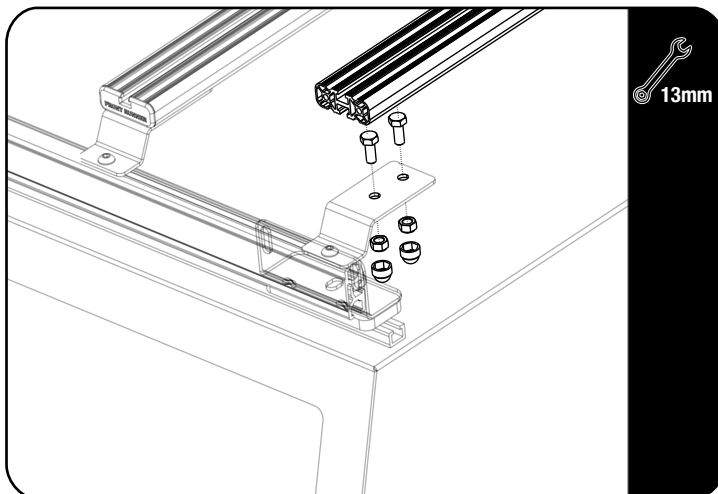
The Slat Z brackets can be inverted as shown if you wish to have the rack lower on your vehicle. This will depend on the width of your canopy.

The slats can be cut shorter to facilitate the lower mounting position at your own risk. This should be done by a qualified professional.

Using a Tape Measure evenly space out the Narrow slat feet and fully tighten in place.

**Tightening Torque:**

M8 : 15-20Nm / 11.06 ft lb - 14.75 ft lb

**3.4**

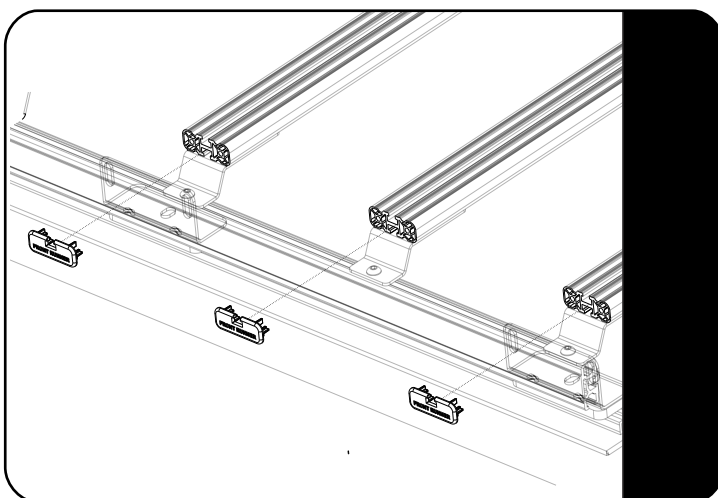
Slide the 2 x M8 x 20 Hex Bolts into the Narrow slats and loosely fit the M8 Nyloc Nuts to the M8 x 20 Hex bolts as shown.

Loosely fit the Narrow slats to the feet fitted in 3.3 using a Tape Measure, center the Narrow slats left to right.

Fully tighten the M8 Nyloc nuts and place M8 Nut Caps over all the M8 Nyloc Nuts.

**Tightening Torque:**

M8 : 15-20Nm / 11.06 ft lb - 14.75 ft lb

**3.5**

After all fasteners are fully tightened fit the end cap to the slats as shown.

4

## COMPLETION

4.1

Congratulations! You did it. Take a step back and admire your work!



5

## INSTALL OTHER VEHICLE AND RACK ACCESSORIES

Now's the time to visit your favorite Front Runner dealer in person or online.

### IMPORTANT!

FRONT RUNNER RACK KITS OFTEN HAVE A HIGHER LOAD RATING THAN THE VEHICLES THEY ARE MOUNTED TO. PLEASE REFER TO YOUR SPECIFIC VEHICLE MANUFACTURER FOR A RECOMMENDED ROOF RATING. FRONT RUNNER CANNOT BE RESPONSIBLE FOR IMPROPER LOADING BEYOND THE VEHICLE MANUFACTURER'S STATED LOAD CAPACITY.

Be sure to tag us. We love to see our gear in action! #FrontRunnerOutfitters #BornToRoam

Share your adventures on: 