

READ ME !

Thank you for purchasing a Front Runner Shower Arm MKII.

Before you start, take a moment to familiarize yourself with this Fitting Instruction and the components received.

Refer to Page 2 for a list of all the components, quantities and tools required.

IMPORTANT WARNING!

IT IS CRITICAL THAT ALL FRONT RUNNER PRODUCTS BE PROPERLY AND SECURELY ASSEMBLED AND ATTACHED TO YOUR VEHICLE.

IMPROPER ATTACHMENT COULD RESULT IN AN AUTOMOBILE ACCIDENT, AND COULD CAUSE SERIOUS BODILY INJURY OR DEATH.

YOU ARE RESPONSIBLE FOR ASSEMBLING AND SECURING ALL FRONT RUNNER PRODUCTS TO YOUR VEHICLE. CHECKING THE ATTACHMENTS PRIOR TO USE, AND PERIODICALLY INSPECTING THE PRODUCTS FOR ADJUSTMENT, WEAR AND DAMAGE.

THEREFORE YOU MUST READ AND UNDERSTAND ALL OF THE INSTRUCTIONS AND PRECAUTIONS SUPPLIED WITH YOUR FRONT RUNNER PRODUCT PRIOR TO INSTALLATION OR USE.

IF YOU DO NOT UNDERSTAND ALL OF THE INSTRUCTIONS AND CAUTIONS, OR IF YOU HAVE NO MECHANICAL EXPERIENCE AND ARE NOT THOROUGHLY FAMILIAR WITH THE INSTALLATION PROCEDURES,

YOU SHOULD HAVE THE PRODUCT INSTALLED BY A PROFESSIONAL INSTALLER OR OTHER QUALIFIED PERSONNEL.

1

GET ORGANIZED

Here is what you are looking at for RRAC028

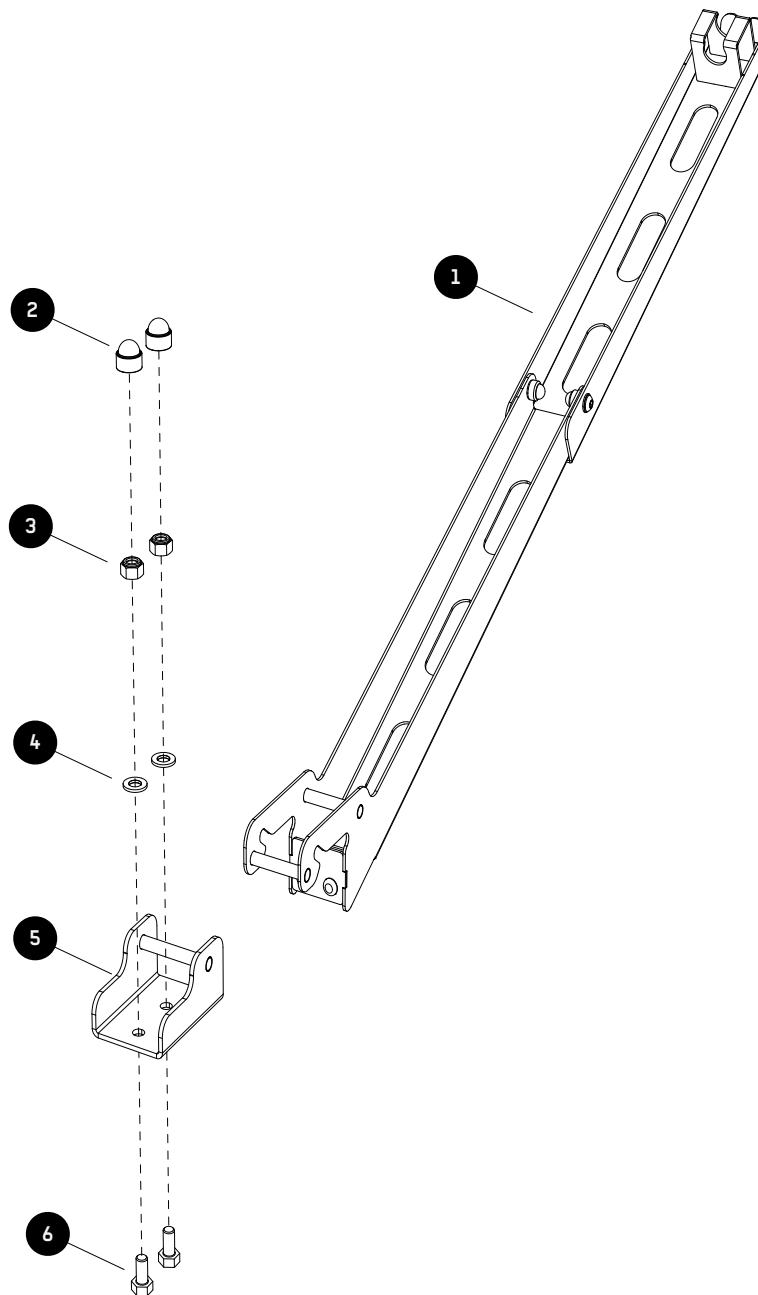
IN THE BOX

1	1 X	Shower Arm
2	2 X	M8 Nut Cap
3	2 X	M8 Nyloc Nut
4	2 X	M8 x 16 x 1.6 SS Flat Washer
5	1 X	Shower Mount
6	2 X	M8 x 16 Hex Bolt

TOOLS NEEDED



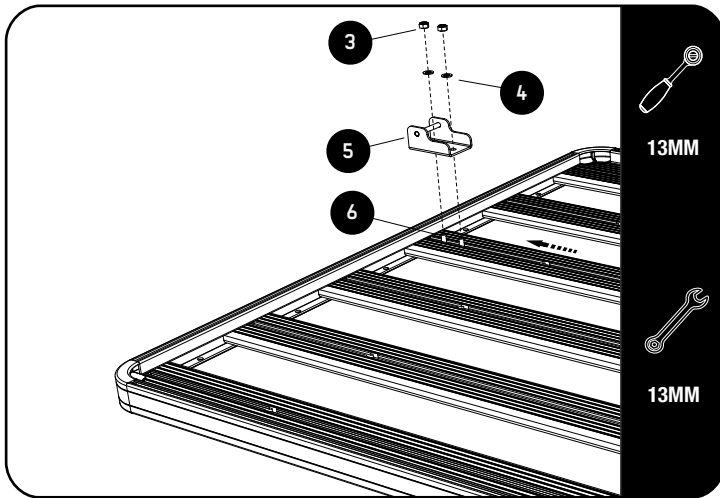
FIGURE 1.1



2

FIT AND SECURE

2.1



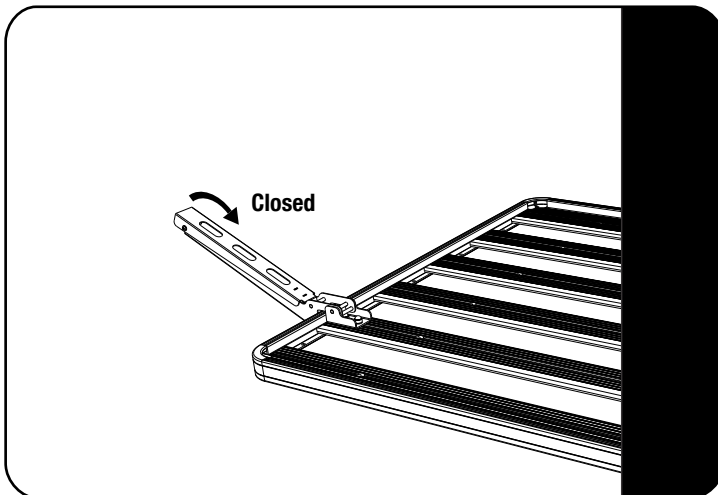
Find a suitable place to mount the shower arm.

Slide two M8 x 16 hex bolts (Item 6) into the T-slots as shown.

Place the shower mount (Item 5) over the two M8 x 16 hex bolts with the round bar toward the outer edge of the rack. The bracket must be 4mm from the inside face of the rack side.

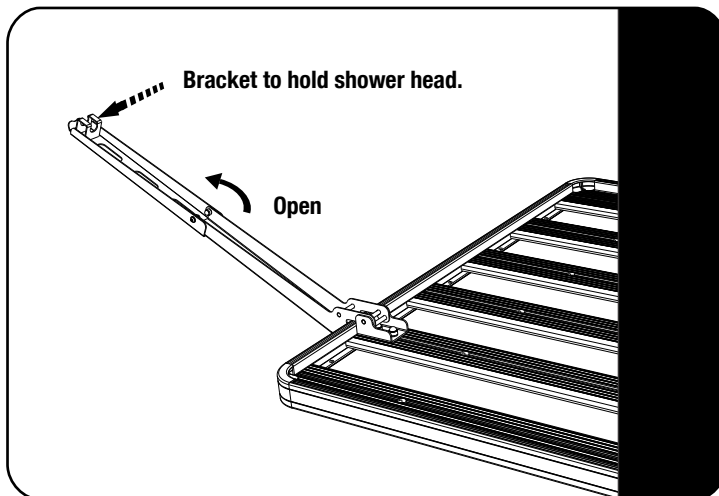
Fasten in position using the M8 flat washer (item 4) and M8 nyloc nut (Item 3).

2.2



The shower arm fits to the shower mount by sliding the slots in the shower arm into the rod of the shower mount.

2.3



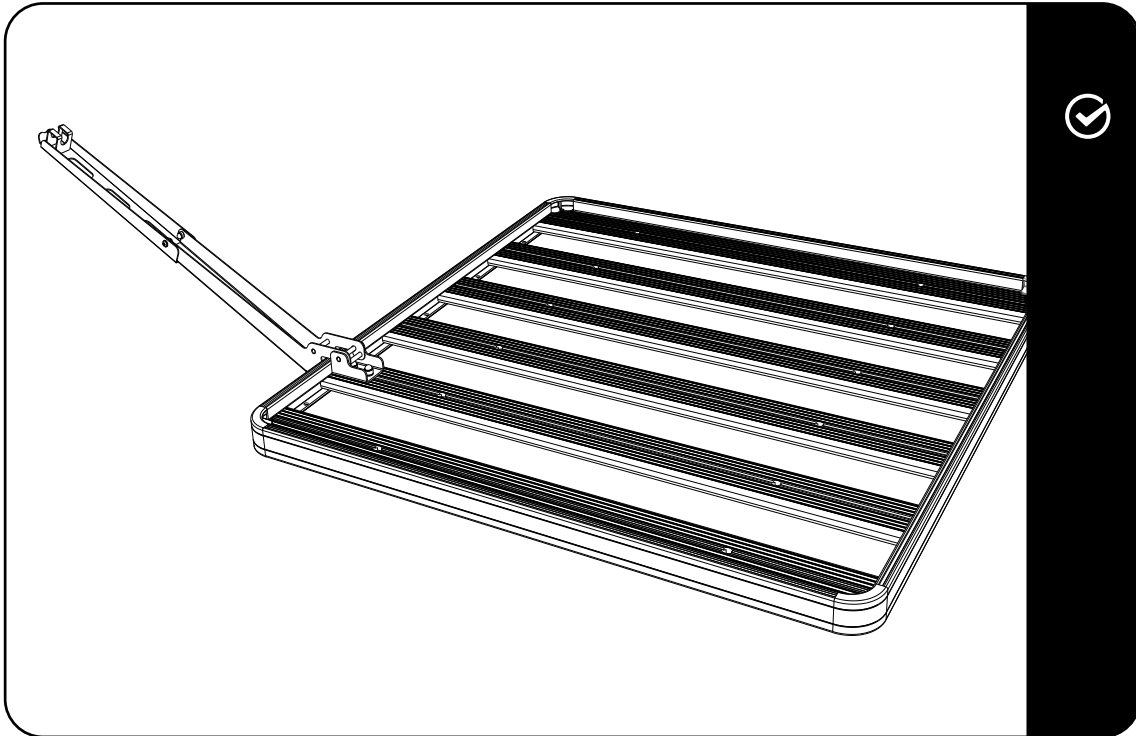
When in use it is unfolded out to the open position.

THE SHOWER ARM MUST BE REMOVED FROM THE SHOWER MOUNT WHEN THE SHOWER IS NOT IN USE AND STORED IN YOUR VEHICLE.

3

COMPLETION

3.1



Congratulations. You did it. Take a step back and admire your work!

4

INSTALL OTHER VEHICLE AND RACK ACCESSORIES

Now's the time to visit your favorite Front Runner Dealer in person or Online.