

READ ME ! ⚠

Thank you for purchasing a Front Runner Rack Handle Bracket for a Slimsport Rack.

Before you start, take a moment to familiarize yourself with the Fitting Instructions and the components received.

Refer to Page 2 for a list of all the components, quantities and tools required.

IMPORTANT WARNING! ⚠

IT IS CRITICAL THAT ALL FRONT RUNNER PRODUCTS BE PROPERLY AND SECURELY ASSEMBLED AND ATTACHED TO YOUR VEHICLE. IMPROPER ATTACHMENT COULD RESULT IN AN AUTOMOBILE ACCIDENT, AND COULD CAUSE SERIOUS BODILY INJURY OR DEATH. YOU ARE RESPONSIBLE FOR ASSEMBLING AND SECURING ALL FRONT RUNNER PRODUCTS TO YOUR VEHICLE, CHECKING THE ATTACHMENTS PRIOR TO USE, AND PERIODICALLY INSPECTING THE PRODUCTS FOR ADJUSTMENT, WEAR AND DAMAGE. THEREFORE, YOU MUST READ AND UNDERSTAND ALL OF THE INSTRUCTIONS AND PRECAUTIONS SUPPLIED WITH YOUR FRONT RUNNER PRODUCT PRIOR TO INSTALLATION OR USE. IF YOU DO NOT UNDERSTAND ALL OF THE INSTRUCTIONS AND CAUTIONS, OR IF YOU HAVE NO MECHANICAL EXPERIENCE AND ARE NOT THOROUGHLY FAMILIAR WITH THE INSTALLATION PROCEDURES, YOU SHOULD HAVE THE PRODUCT INSTALLED BY A PROFESSIONAL INSTALLER OR OTHER QUALIFIED PERSONNEL.

NOTE: Front Runner will not be responsible for any damage caused by the failure to install the product according to these instructions.

Please call us if you have any questions about the installation of this product.

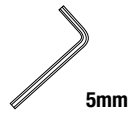


1 GET ORGANIZED

IN THE BOX

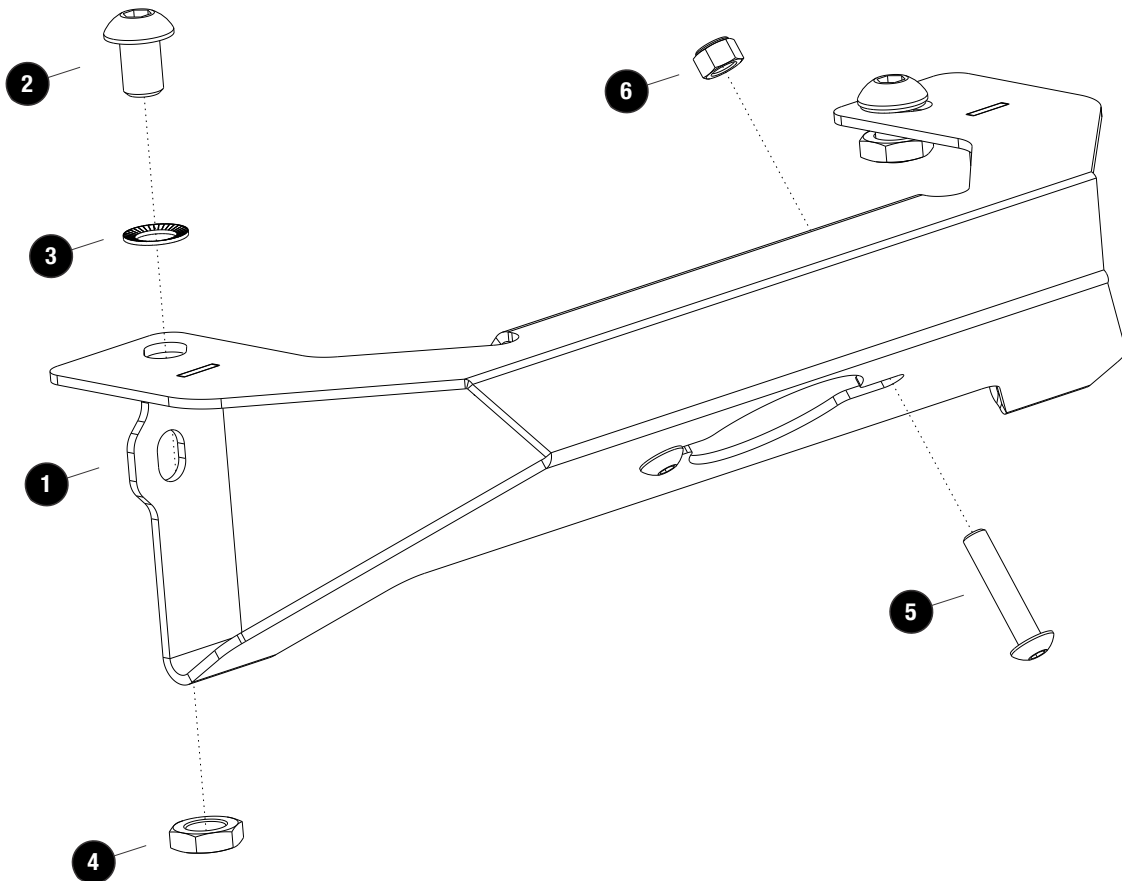
1	1 X	Handle Light Rack Bracket
2	2 X	M8 x 12 Button Head Bolt
3	2 X	M8 Shnorr Washer
4	2 X	M8 Thin Nut
5	2 X	M5 x 25 Button Head Bolt (To Fit Light - Sold Separately)
6	2 X	M5 Nyloc Nut (To Fit Light - Sold Separately)

TOOLS NEEDED



5mm

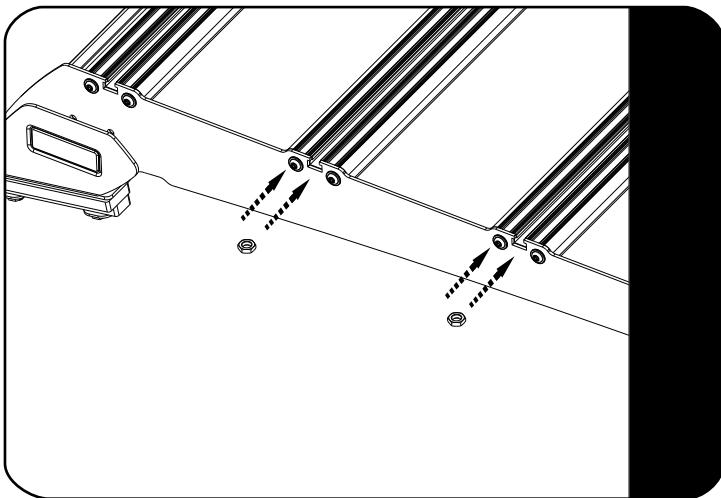
FIGURE 1.1



2

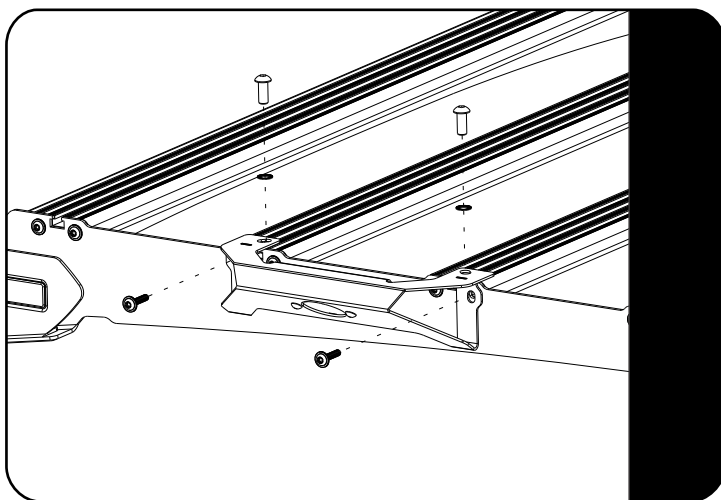
FIT AND SECURE BETWEEN SLATS

2.1



Slide two M8 Half nuts (Item 4) into the T-Slot and Remove the Self forming Screws indicated.

2.2



Secure the Handle Light Rack Bracket (Item 1) to your Roof Rack using M8x12 Button Heads, M8 Schnorr Washers, M8 Half Nuts & M6 x 25 Self forming Screws (Items 2,3 & 4).

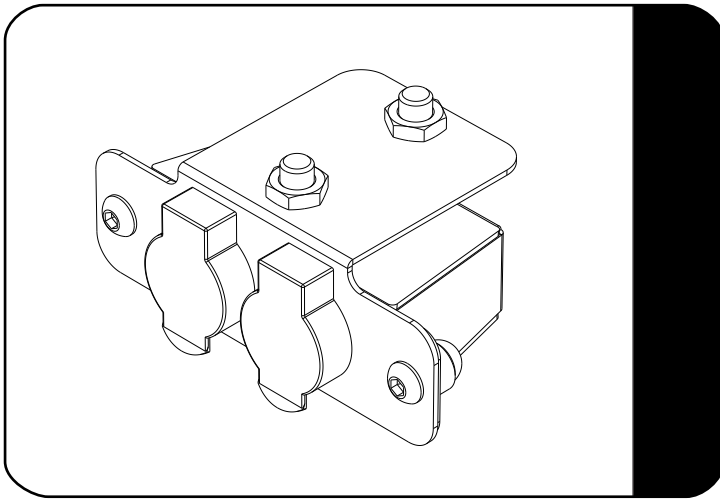


IF INSTALLING A ROCK LIGHT (LIGH910 SOLD SEPERATALY) SOME ELECTRICAL CONNECTION MAY BE REQUIRED. AS ALL ELECTRICAL EQUIPMENT IS A POTENTIAL HAZARD AND COULD CAUSE SERIOUS INJURY IT IS STRONGLY ADVISED THAT A QUALIFIED ELECTRICIAN HANDLE ALL WIRING AND CONNECTIONS REQUIRED.

4

INSTALL ROOF RACK POWER POINT

4.1



Roof Rack Power point, refer to fitment guide RRAC165 (Sold Separately).

3

FINISH

Congratulations! You did it. Take a step back and admire your work!

4

INSTALL OTHER VEHICLE AND RACK ACCESSORIES

Now's the time to visit your favorite Front Runner Dealer in person or online.

Be sure to tag us. We love to see our gear in action! #FrontRunnerOutfitters #BornToRoam

Share your adventures on: 