

READ ME !

Thank you for purchasing a Front Runner Land Rover Discovery LR4 Battery Bracket.
Before you start, take a moment to familiarize yourself with the Fitting Instructions and the components received.
Refer to Page 2 for a list of all the components, quantities and tools required.

IMPORTANT WARNING!

IT IS CRITICAL THAT ALL FRONT RUNNER PRODUCTS BE PROPERLY AND SECURELY ASSEMBLED AND ATTACHED TO YOUR VEHICLE. IMPROPER ATTACHMENT COULD RESULT IN AN AUTOMOBILE ACCIDENT, AND COULD CAUSE SERIOUS BODILY INJURY OR DEATH. YOU ARE RESPONSIBLE FOR ASSEMBLING AND SECURING ALL FRONT RUNNER PRODUCTS TO YOUR VEHICLE, CHECKING THE ATTACHMENTS PRIOR TO USE, AND PERIODICALLY INSPECTING THE PRODUCTS FOR ADJUSTMENT, WEAR AND DAMAGE. THEREFORE, YOU MUST READ AND UNDERSTAND ALL OF THE INSTRUCTIONS AND PRECAUTIONS SUPPLIED WITH YOUR FRONT RUNNER PRODUCT PRIOR TO INSTALLATION OR USE. IF YOU DO NOT UNDERSTAND ALL OF THE INSTRUCTIONS AND CAUTIONS, OR IF YOU HAVE NO MECHANICAL EXPERIENCE AND ARE NOT THOROUGHLY FAMILIAR WITH THE INSTALLATION PROCEDURES, YOU SHOULD HAVE THE PRODUCT INSTALLED BY A PROFESSIONAL INSTALLER OR OTHER QUALIFIED PERSONNEL.

NOTE: Front Runner will not be responsible for any damage caused by the failure to install the product according to these instructions.
Please call us if you have any questions about the installation of this product.

1

GET ORGANIZED

IN THE BOX

1	5 X	M6 Nyloc Nut
2	2 X	M6 Nut
3	6 X	M6 Spring Washer
4	14 X	M6 x 19 x 1SS Flat Washer
5	2 X	M6 x 20 Button Head Bolt
6	2 X	M6 x 20 Hex Bolt
7	3 X	M6 x 25 Hex Bolt
8	1 X	M6 Rivnut
9	1 X	Battery Strap
10	1 X	Battery Support Bracket
11	1 X	Battery Power Bracket
12	2 X	M6 x 180 J-Bolt
13	1 X	M6 x 150 Hex Bolt
14	1 x	Battery Bracket

TOOLS NEEDED

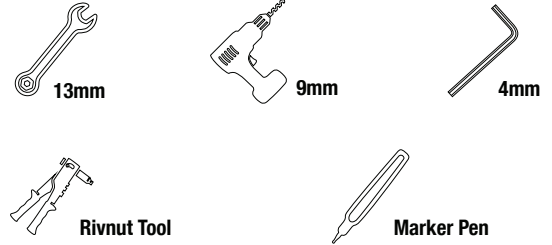
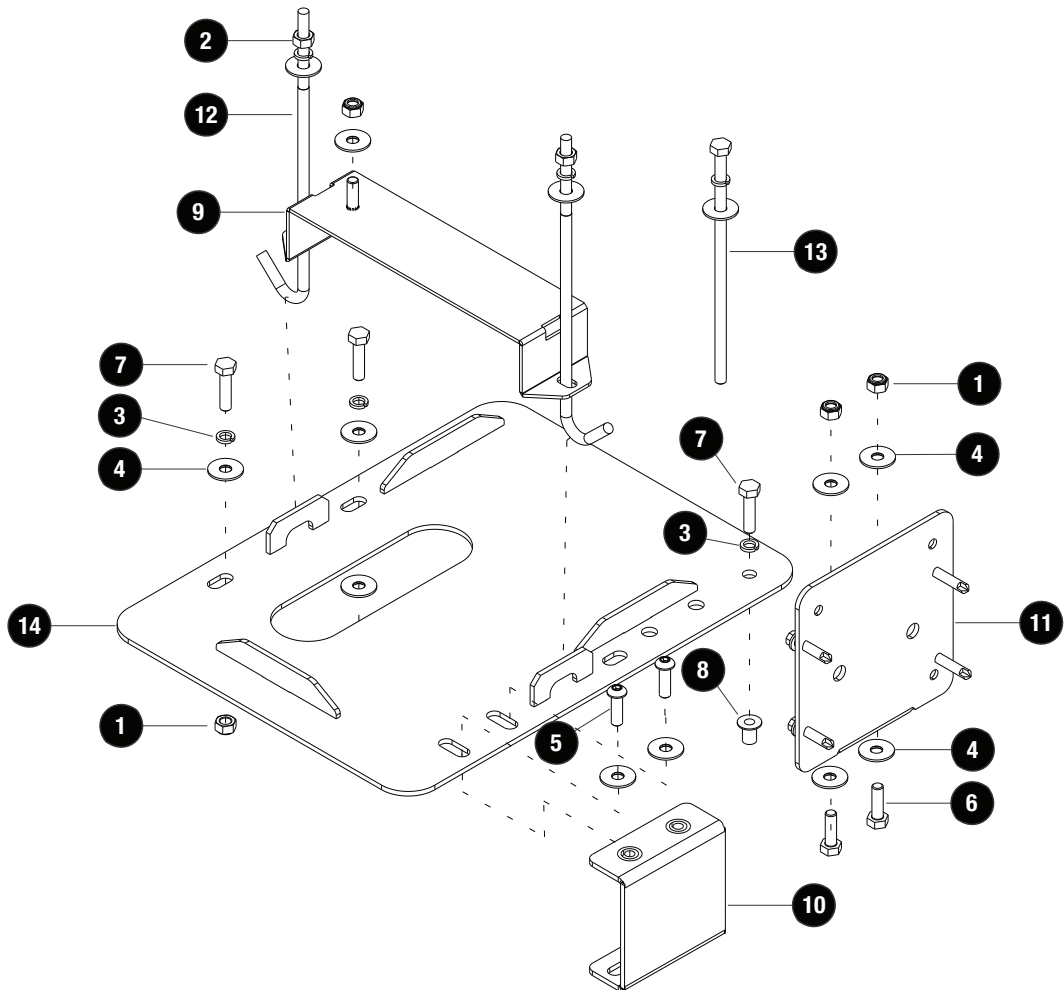


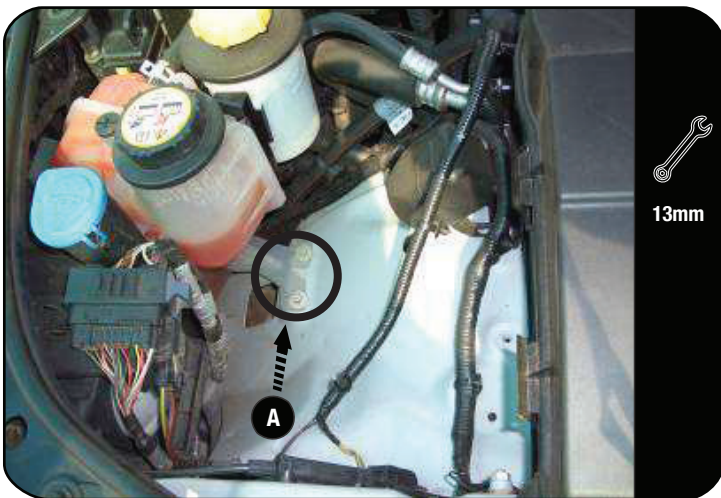
FIGURE 1.1



2

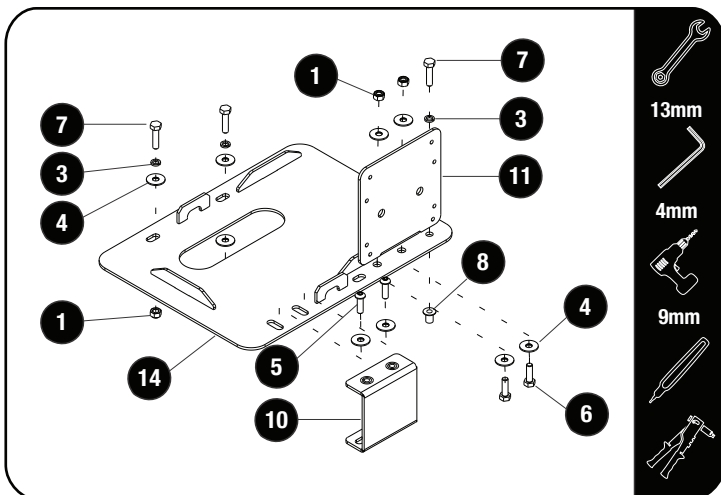
FIT AND SECURE

2.1



Relocate the alarm horn on the wheel arch towards the head light and reroute the wiring if necessary. Remove the mounting bolts (Item A) from the windscreen wiper fluid bottle as indicated in 2.1.

2.2



Fit the Battery Support Bracket (Item 10) under the windscreen wiper fluid bottle using the fasteners removed in 2.1.

Place the Battery bracket (Item 14) on top of the foot (Item 10) and line up mounting holes. Mark the front left hole through the bracket with a marker and drill a 9mm hole. And insert a M6 Rivnut (Item 8). Use Rivnut tool to set fully.

Mount the Battery Power Bracket (Item 11) to the Battery Bracket (Item 14) using two M6 x 20 hex Bolts, four M6 Flat Washers and two M6 Nyloc Nuts (Item 6, 4 & 1).

Refit the Battery Bracket (item 14) on the foot and bolt down using two M6 x 20 Button Heads and two M6 Flat washers (Item 5 & 4).

2.3



Bolt the charger onto the Mounting Bracket (Item 11). Position the battery on the Battery Bracket and fit the Battery Strap (Item 9).

3

FINISH

Congratulations! You did it. Take a step back and admire your work!

4

INSTALL OTHER VEHICLE AND RACK ACCESSORIES

Now's the time to visit your favorite Front Runner Dealer in person or online.

Be sure to tag us. We love to see our gear in action! #FrontRunnerOutfitters #BornToRoam

Share your adventures on: 