

# START HERE!

## READ ME FIRST

Don't be a hero and muscle through this installation without reading these fitting instructions first! Improper installation of this gear may void certain aspects of your warranty.

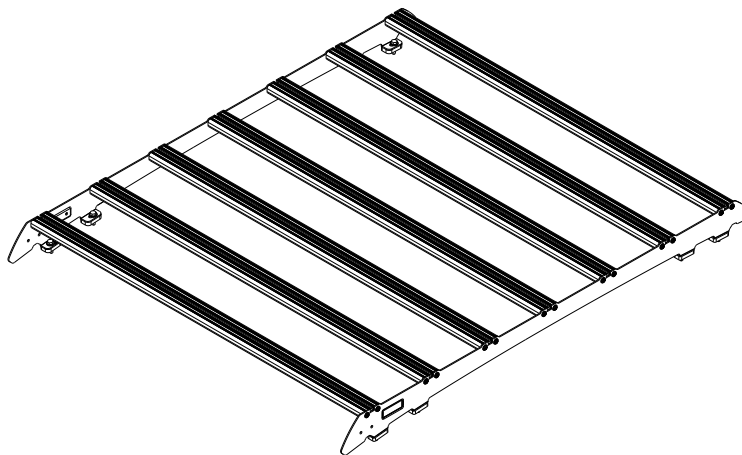
Before you begin, take a moment and open all your Front Runner rack kit boxes and gather the assembly instructions for the various components.

A complete kit will contain:

1. A Front Runner Mounting System specific to your vehicle
2. A Front Runner Rack Tray or Load Bar Slats

This document will guide you through the assembly of the mounting system and assist you in fitting the roof rack tray or load bars to your specific vehicle.

Please refer to the next page for a list of all the components, quantities and tools required.



### IMPORTANT WARNING!

IT IS CRITICAL THAT ALL FRONT RUNNER PRODUCTS BE PROPERLY AND SECURELY ASSEMBLED AND ATTACHED TO YOUR VEHICLE. IMPROPER ATTACHMENT COULD RESULT IN AN AUTOMOBILE ACCIDENT, AND COULD CAUSE SERIOUS BODILY INJURY OR DEATH. YOU ARE RESPONSIBLE FOR ASSEMBLING AND SECURING ALL FRONT RUNNER PRODUCTS TO YOUR VEHICLE, CHECKING THE ATTACHMENTS PRIOR TO USE, AND PERIODICALLY INSPECTING THE PRODUCTS FOR ADJUSTMENT, WEAR AND DAMAGE. THEREFORE, YOU MUST READ AND UNDERSTAND ALL OF THE INSTRUCTIONS AND PRECAUTIONS SUPPLIED WITH YOUR FRONT RUNNER PRODUCT PRIOR TO INSTALLATION OR USE. IF YOU DO NOT UNDERSTAND ALL OF THE INSTRUCTIONS AND CAUTIONS, OR IF YOU HAVE NO MECHANICAL EXPERIENCE AND ARE NOT THOROUGHLY FAMILIAR WITH THE INSTALLATION PROCEDURES, YOU SHOULD HAVE THE PRODUCT INSTALLED BY A PROFESSIONAL INSTALLER OR OTHER QUALIFIED PERSONNEL.

**NOTE:** Front Runner will not be responsible for any damage caused by the failure to install the product according to these instructions.

Please call us if you have any questions about the installation of this product.

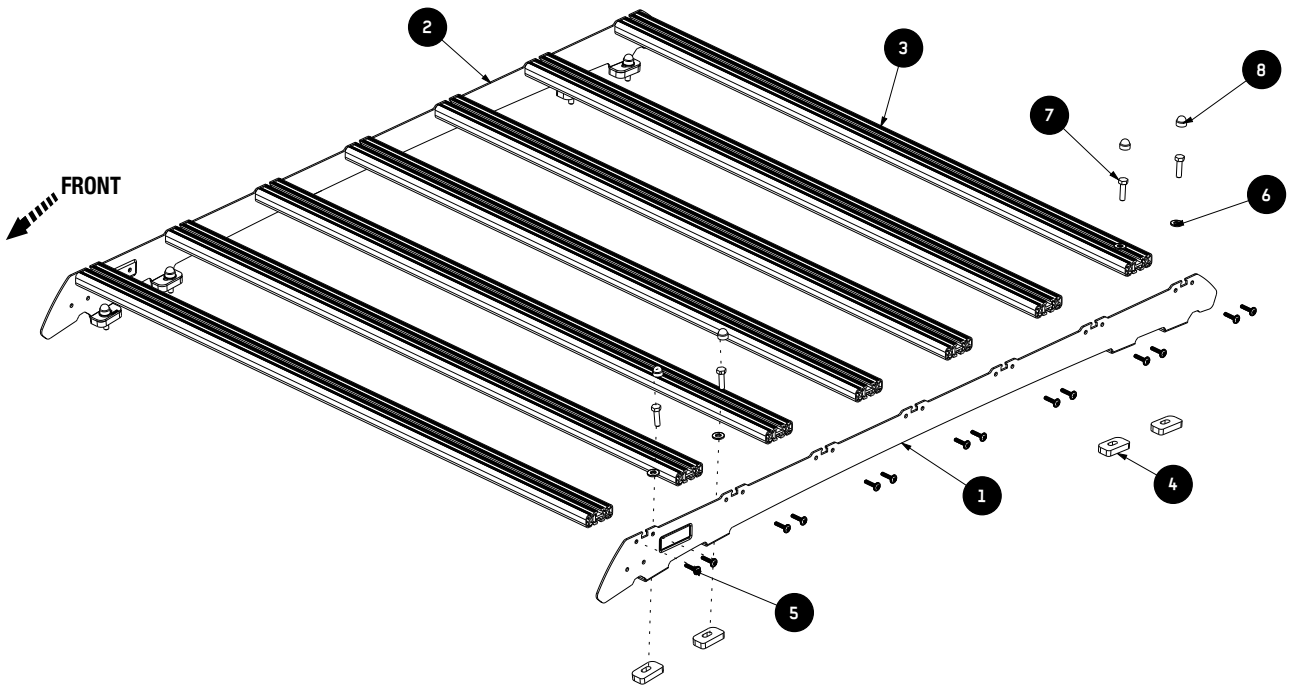
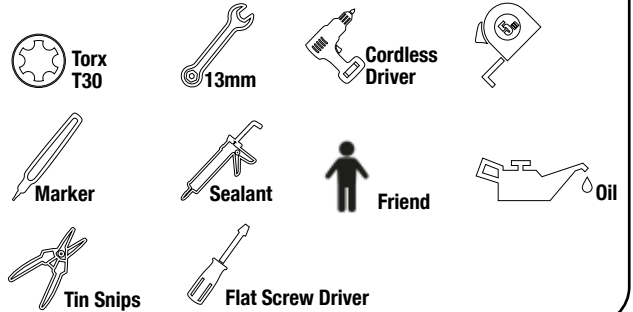


# 1 GET ORGANIZED

## IN THE BOX

1	1 X	Foot Rail LH
2	1 X	Foot Rail RH
3	7 X	Standard Slat
4	8 X	Spacer 10mm
5	28 X	M6 x 25 Thread Forming Screw
6	8 X	M8 x 19 x 2 SS Flat Washer
7	8 X	M8 x 30 Hex Bolt
8	8 X	M8 nut Caps

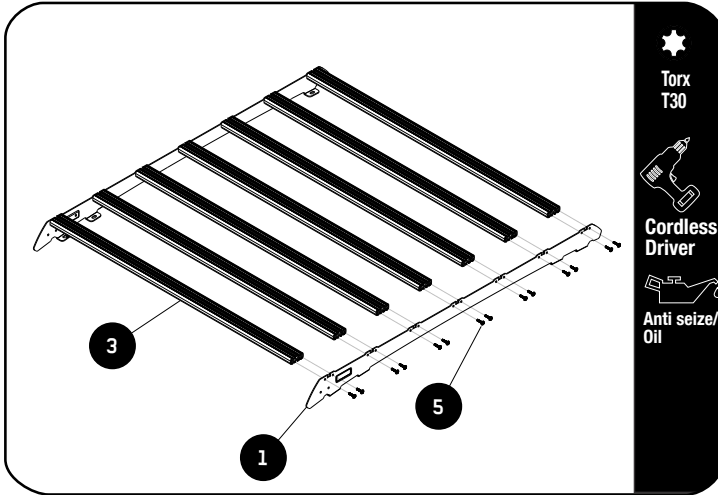
## TOOLS NEEDED



## 2 ASSEMBLY

2

2.1



Fit 7 Slimsport Slats (Item 3) to the Foot Rails (Item 1) using 28 x M6 x 25 Thread Forming Screws (Item 5) as shown.



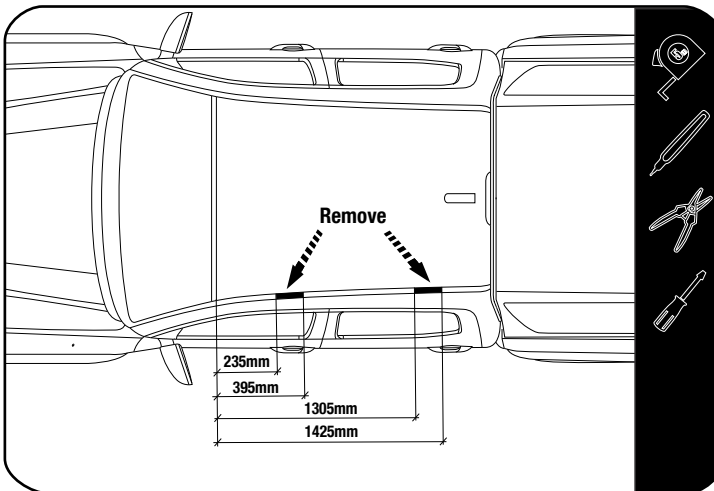
Apply a little Anti Seize / oil on screw threads before inserting. Note these are thread forming screws.



Tightening Torque 8-10Nm / 5.9 ft lb - 7.38 ft lb. Take care when using a cordless driver.

## 3 FIT AND SECURE - MODELS WITH DITCH MOLDS

3.1



Starting at the front of the windscreen as shown, measure along the Ditch Moulding towards the rear of the vehicle. Mark the ditch moulding at the following distances.

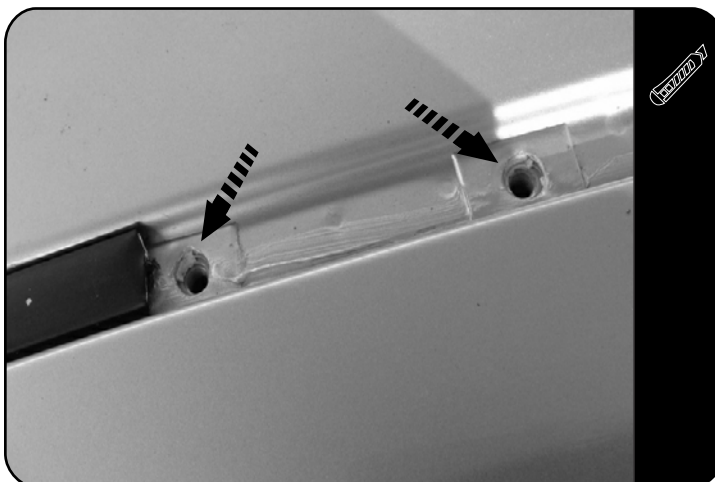
- 235mm
- 395mm
- 1305mm
- 1425mm

Using a suitable panel tool, or screw driver wrapped in tape, lift the Ditch Moulding between the marks you made. Using tin snips, cut the Ditch Moulding on the marks made.



Be careful when lifting the Ditch Moulding not to lift it too high as this might damage the Moulding.

3.2

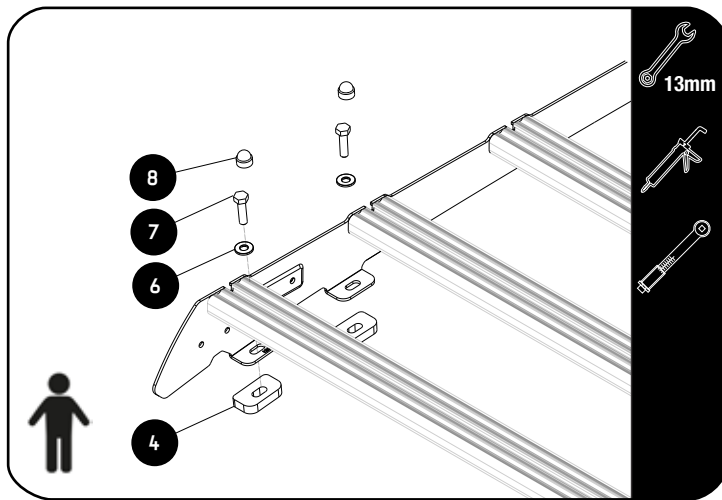


Looking at the ditch, where you have just removed the ditch moulding, locate the four Threaded Mounting points in the vehicle's roof and remove the protective tape covering them.

3

FIT AND SECURE - MODELS WITH DITCH MOLDS

3.5



Apply a bead of sealant on the threads of the M8 x 30 Hex Bolts (Item 7) and in the cut outs for the Front and Rear Spacers (Items 4).

Secure the Tray together with Front and Rear Spacers to the Roof using M8 x 30 Hex Bolts, M8 x 19 x 2 Flat Washers and (Items 6, 7).

Do this for LH and RH side and fully tighten the M8 x 30 Hex Bolts.

Place M8 Nut Caps (Item 8) over all M8 x 30 Hex Bolts.



**Tightening Torque:**

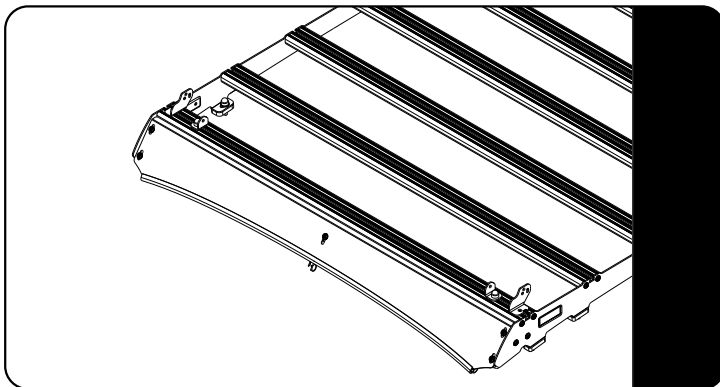
M8 : 15-20Nm / 11.06 ft lb - 14.75 ft lb

4

FIT AND SECURE

STANDARD WIND FAIRING ASSEMBLY

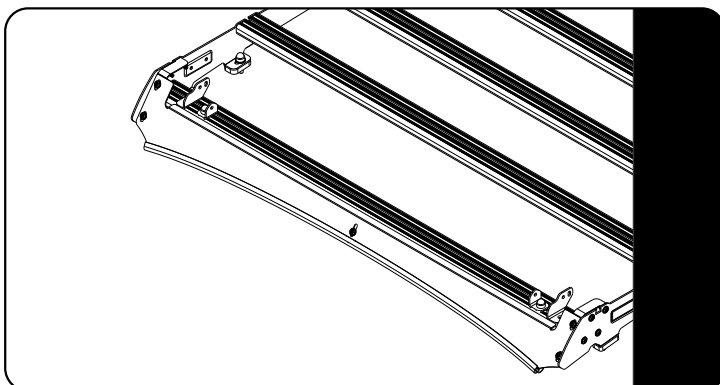
4.1



Refer to fitment guide RRAC310

LIGHT BAR WIND FAIRING ASSEMBLY

4.2

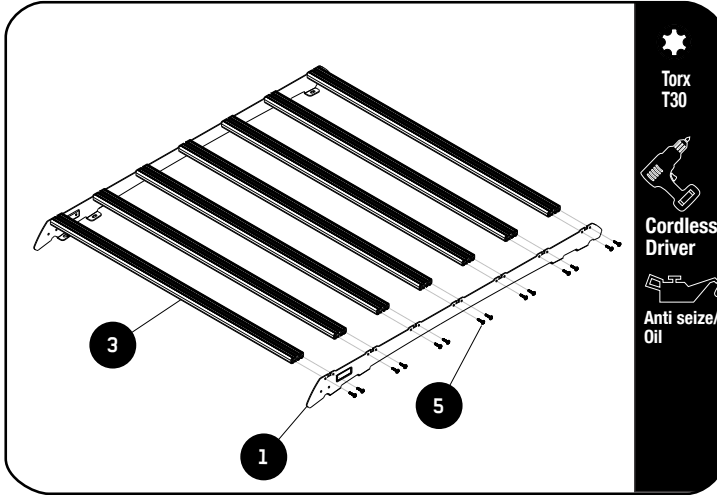


Refer to fitment guide RRAC309

## 4 ASSEMBLY

4

4.1



Fit 7 Slimsport Slats (Item 3) to the Foot Rails (Item 1) using 28 x M6 x 25 Thread Forming Screws (Item 5) as shown.

Apply a little Anti Seize / oil on screw threads before inserting. Note these are thread forming screws.

Tightening Torque 8-10Nm / 5.9 ft lb - 7.38 ft lb. Take care when using a cordless driver.

## 5 FIT AND SECURE - MODELS WITH OEM RAILS

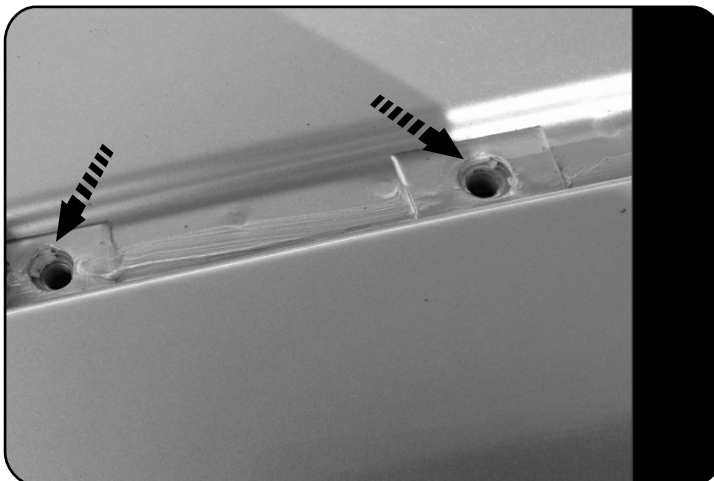
5.1



Start by Removing the OEM Roof Rails from the Vehicle.

Look on Youtube for assistance on how to remove the OEM Roof Rails

5.2

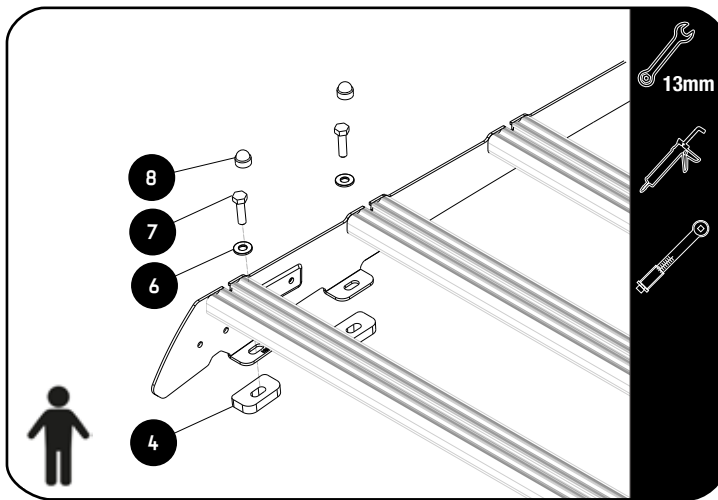


Looking at the Ditch, where you have just removed the OEM Roof Rails, locate the four threaded mounting points in the vehicle's roof.

5

**FIT AND SECURE - MODELS WITH ROOF RAILS**

3.5



Apply a bead of sealant on the threads of the M8 x 30 Hex Bolts (Item 7) and in the Mounting holes for the Front and Rear Spacers (Items 4).

Secure the Tray together with Front and Rear Spacers to the Roof using M8 x 30 Hex Bolts, M8 x 19 x 2 Flat Washers and (Items 6, 7).

Do this for LH and RH side and fully tighten the M8 x 30 Hex Bolts.

Place M8 Nut Caps (Item 8) over all M8 x 30 Hex Bolts.



**Tightening Torque:**

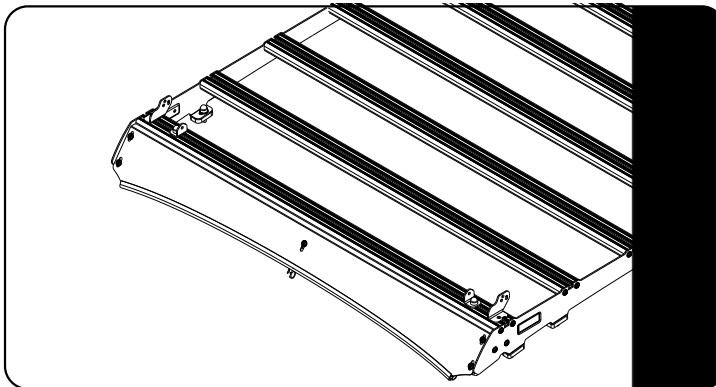
M8 : 15-20Nm / 11.06 ft lb - 14.75 ft lb

6

**FIT AND SECURE**

**STANDARD WIND FAIRING ASSEMBLY**

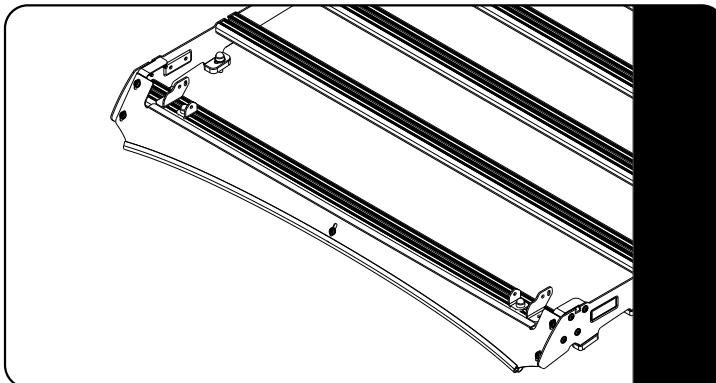
6.1



Refer to fitment guide RRAC310

**LIGHT BAR WIND FAIRING ASSEMBLY**

6.2



Refer to fitment guide RRAC309

7

## COMPLETION

7.1

Congratulations! You did it. Take a step back and admire your work!



8

## INSTALL OTHER VEHICLE AND RACK ACCESSORIES

Now's the time to visit your favorite Front Runner dealer in person or online.

### IMPORTANT!

FRONT RUNNER RACK KITS OFTEN HAVE A HIGHER LOAD RATING THAN THE VEHICLES THEY ARE MOUNTED TO. PLEASE REFER TO YOUR SPECIFIC VEHICLE MANUFACTURER FOR A RECOMMENDED ROOF RATING. FRONT RUNNER CANNOT BE RESPONSIBLE FOR IMPROPER LOADING BEYOND THE VEHICLE MANUFACTURER'S STATED LOAD CAPACITY.

Be sure to tag us. We love to see our gear in action! #FrontRunnerOutfitters #BornToRoam

Share your adventures on: 