

**READ ME !** ⚠

Thank you for purchasing a Pro Bed Tailgate Net.

Before you start, take a moment to familiarize yourself with the Fitting Instructions and the included components.

Refer to Page 2 for a list of all the components, quantities and tools required.

**IMPORTANT WARNING!** ⚠

IT IS CRITICAL THAT ALL FRONT RUNNER PRODUCTS BE PROPERLY AND SECURELY ASSEMBLED AND ATTACHED TO YOUR VEHICLE. IMPROPER ATTACHMENT COULD RESULT IN AN AUTOMOBILE ACCIDENT, AND COULD CAUSE SERIOUS BODILY INJURY OR DEATH. YOU ARE RESPONSIBLE FOR ASSEMBLING AND SECURING ALL FRONT RUNNER PRODUCTS TO YOUR VEHICLE, CHECKING THE ATTACHMENTS PRIOR TO USE, AND PERIODICALLY INSPECTING THE PRODUCTS FOR ADJUSTMENT, WEAR AND DAMAGE. THEREFORE, YOU MUST READ AND UNDERSTAND ALL OF THE INSTRUCTIONS AND PRECAUTIONS SUPPLIED WITH YOUR FRONT RUNNER PRODUCT PRIOR TO INSTALLATION OR USE. IF YOU DO NOT UNDERSTAND ALL OF THE INSTRUCTIONS AND CAUTIONS, OR IF YOU HAVE NO MECHANICAL EXPERIENCE AND ARE NOT THOROUGHLY FAMILIAR WITH THE INSTALLATION PROCEDURES, YOU SHOULD HAVE THE PRODUCT INSTALLED BY A PROFESSIONAL INSTALLER OR OTHER QUALIFIED PERSONNEL.

**NOTE:** Front Runner will not be responsible for any damage caused by the failure to install the product according to these instructions.

Please call us if you have any questions about the installation of this product.

1

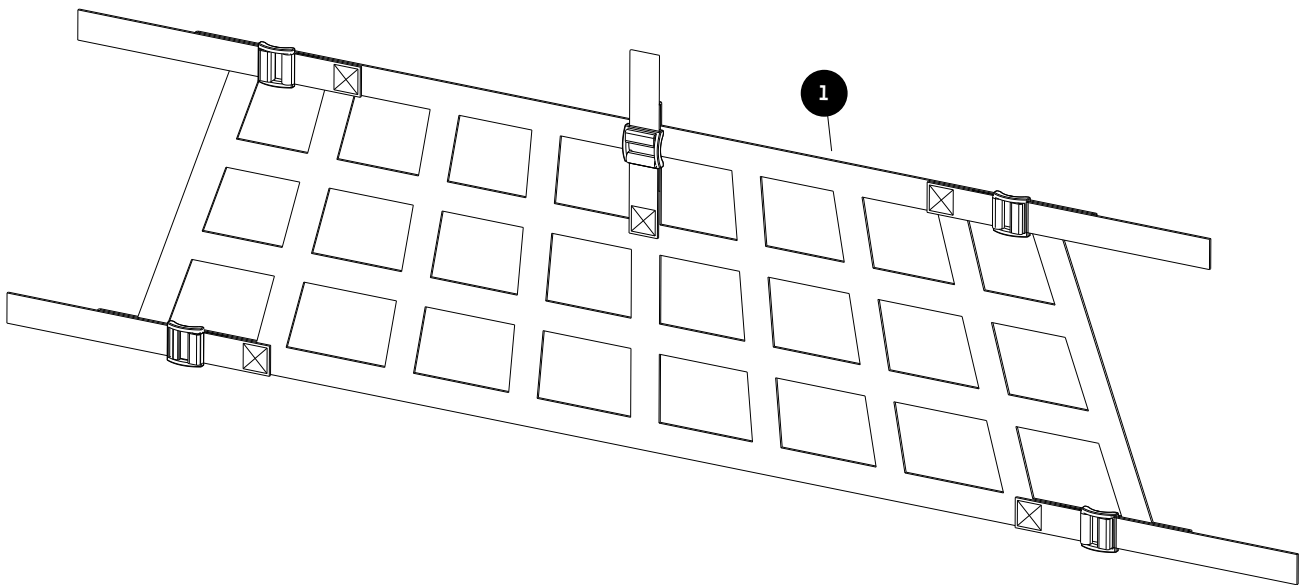
# GET ORGANIZED

## IN THE BOX

1	1 X	Pro Bed Tailgate Net
---	-----	----------------------

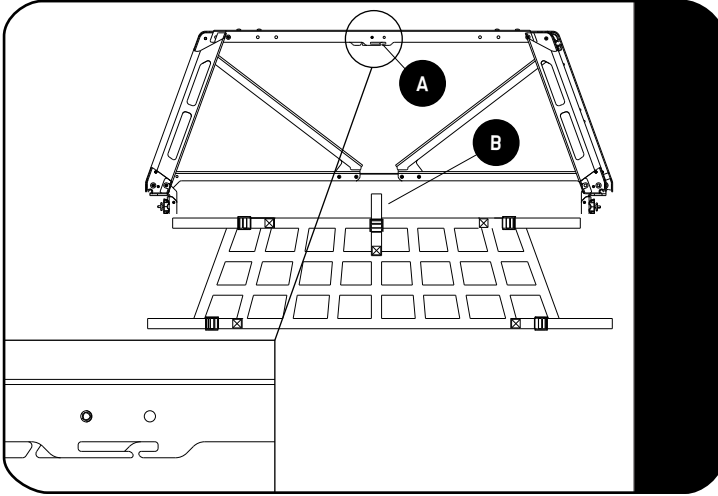
## TOOLS NEEDED

FIGURE 1.1



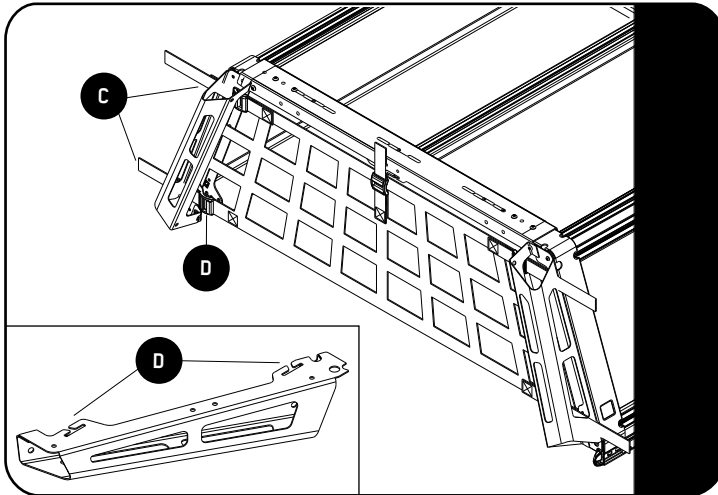
**2****FIT AND SECURE**

2.1



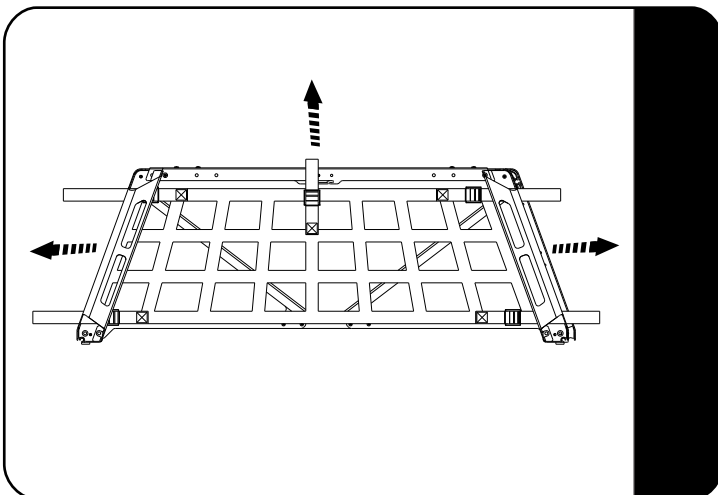
Slide the top loop (B) of the Pro Bed Tailgate Net (Item 1) into the slot (A) at the top of the pro bed rack system. Do not tighten the strap through the buckle yet.

2.2



To fit the sides of the Pro Bed Tailgate Net, slide the loops on each side (C) into the corresponding slot (D) at the top and bottom of the corner brackets, as shown. Do not tighten the strap through the buckles yet.

2.3



To tighten the Pro Bed Tailgate Net, pull the straps on the top and sides outward as shown.

3

### FINISH

Congratulations! You did it. Take a step back and admire your work!

4

### INSTALL OTHER VEHICLE AND RACK ACCESSORIES

Now's the time to visit your favorite Front Runner Dealer in person or online.

Be sure to tag us. We love to see our gear in action! #FrontRunnerOutfitters #BornToRoam

Share your adventures on: 