**READ ME !** ⚠

Thank you for purchasing a Front Runner Hi-Lift Jack Bracket Top Mount.

Before you start, take a moment to familiarize yourself with the Fitting Instructions and the included components.

Refer to Page 2 for a list of all the components, quantities and tools required.

IMPORTANT WARNING! ⚠

IT IS CRITICAL THAT ALL FRONT RUNNER PRODUCTS BE PROPERLY AND SECURELY ASSEMBLED AND ATTACHED TO YOUR VEHICLE. IMPROPER ATTACHMENT COULD RESULT IN AN AUTOMOBILE ACCIDENT, AND COULD CAUSE SERIOUS BODILY INJURY OR DEATH. YOU ARE RESPONSIBLE FOR ASSEMBLING AND SECURING ALL FRONT RUNNER PRODUCTS TO YOUR VEHICLE, CHECKING THE ATTACHMENTS PRIOR TO USE, AND PERIODICALLY INSPECTING THE PRODUCTS FOR ADJUSTMENT, WEAR AND DAMAGE. THEREFORE, YOU MUST READ AND UNDERSTAND ALL OF THE INSTRUCTIONS AND PRECAUTIONS SUPPLIED WITH YOUR FRONT RUNNER PRODUCT PRIOR TO INSTALLATION OR USE. IF YOU DO NOT UNDERSTAND ALL OF THE INSTRUCTIONS AND CAUTIONS, OR IF YOU HAVE NO MECHANICAL EXPERIENCE AND ARE NOT THOROUGHLY FAMILIAR WITH THE INSTALLATION PROCEDURES, YOU SHOULD HAVE THE PRODUCT INSTALLED BY A PROFESSIONAL INSTALLER OR OTHER QUALIFIED PERSONNEL.

NOTE: Front Runner will not be responsible for any damage caused by the failure to install the product according to these instructions.

Please call us if you have any questions about the installation of this product.



1 GET ORGANIZED

IN THE BOX

1	1 X	Clamp Bracket
2	1 X	Base plate bracket
3	1 X	M8 x 130mm Threaded Rod
4	2 X	M8 Thin Nut
5	1 X	M8 Nylon Washer
6	1 X	M8 Eye Nut
7	1 X	M8 x 16mm Hex Head Bolt
8	3 X	M8 Nyloc Nut
9	3 X	M8 Plastic Nut Cap
10	2 X	M10 Flat Washer
11	1 X	Mounting Key
12	1 X	M10 Spring Washer
13	1 X	M10 Wing Nut
14	2 X	M8 x 20mm Hex Head Bolt
15	2 X	M8 x 16 x 1.6 Flat Washer
16	1 X	M12 Pin
17	1 X	M12 Flat Washer
18	1 X	M12 Nyloc Nut
19	1 X	M12 Plastic Nut Cap

TOOLS NEEDED

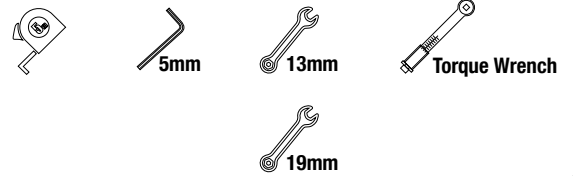


FIGURE 1.1

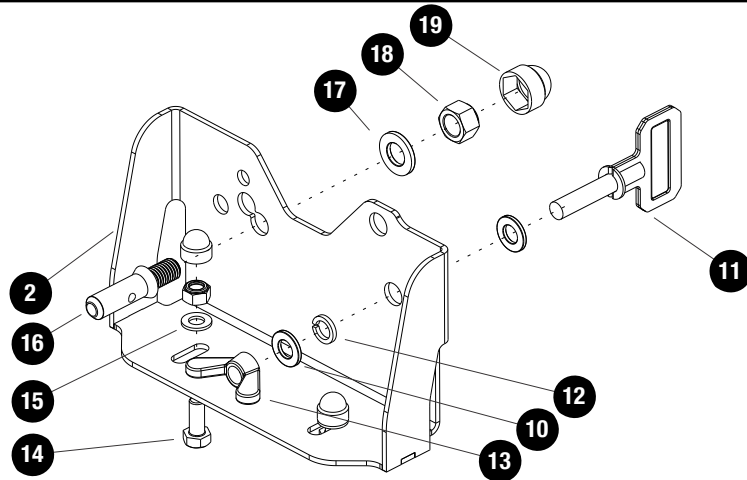
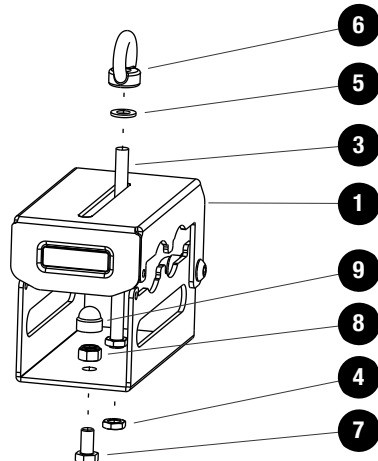


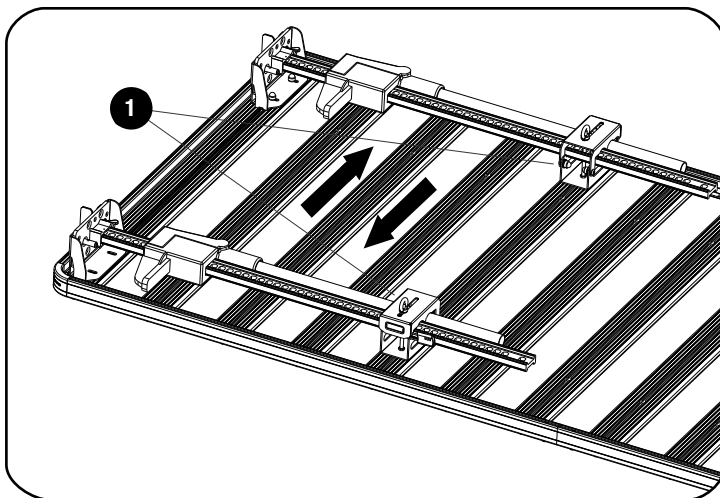
FIGURE 1.2



2

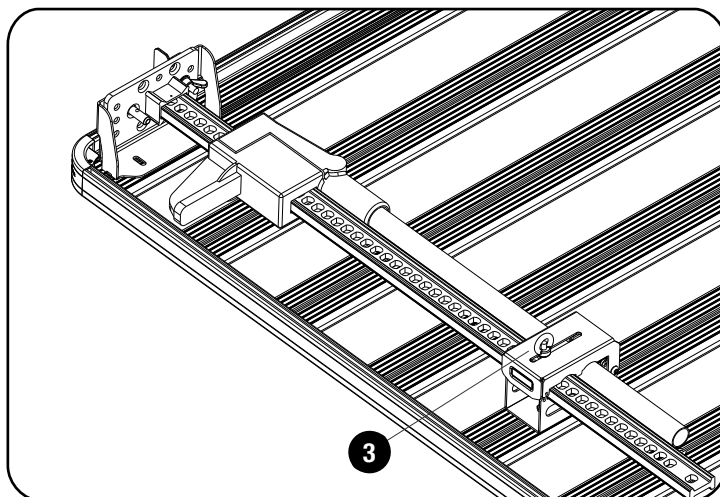
ORIENTATIONS

2.1



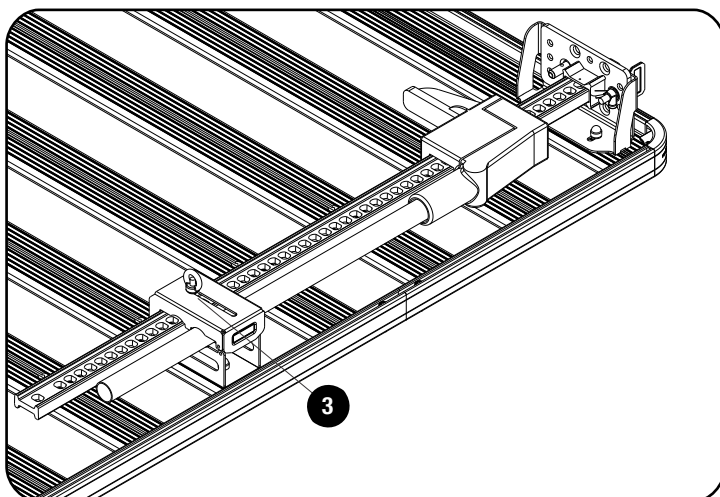
↻ The Hi-Lift Jack can be mounted length-ways anywhere on the rack as seen in Fig 2.1. The Clamp Bracket (Item 1) should always be mounted opening away from you for ease of access.

2.2



↻ In the orientation seen in Fig 2.2, please note the position of the M8 Threaded Rod (Item 3) and orientation of the Clamp Bracket (Item 1).

2.3

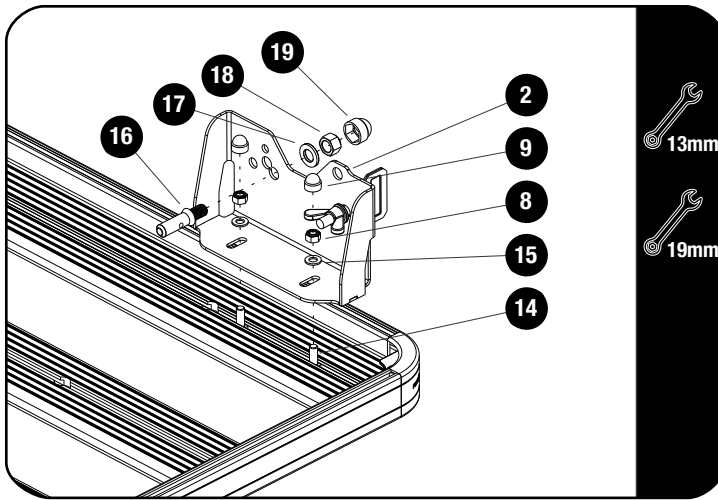


↻ In the orientation seen in Fig 2.3, please note the position of the M8 Threaded Rod (Item 3) and orientation of the Clamp Bracket (Item 1).

3

FIT AND SECURE

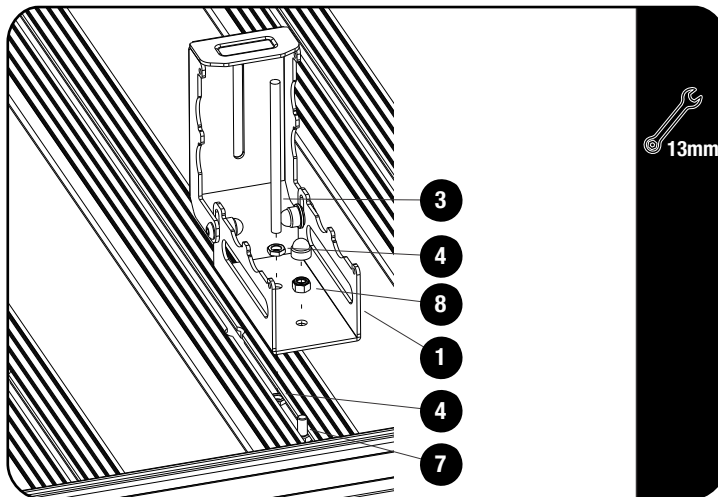
3.1



Insert the M12 Pin (Item 16) into the hole in the Base Plate (Item 2) that corresponds with the mounting hole on your hi-lift jack. Fasten with the M12 Flat Washer (Item 17), M12 Nyloc Nut (Item 18) and M12 Plastic Nut Cap (Item 19).

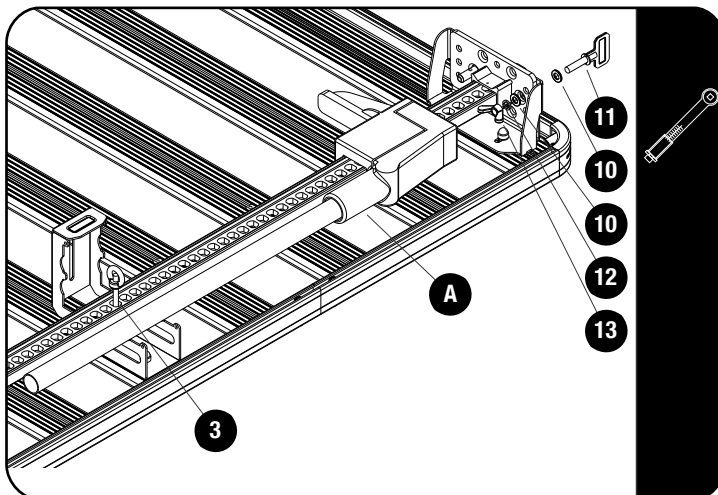
Insert the two M8x20mm Hex Head Bolts (Item 14) into the slat as shown in Fig 3.1. Loosely assembly the Base Plate Bracket (Item 2) using the M8 Flat Washers (Item 15) and M8 Nyloc Nuts (Item 8).

3.2



Slide an M8x16mm Hex Head Bolt (Item 7) and a M8 Thin Nut (Item 4) into the slat as shown in Fig 3.2. Loosely mount the Clamp Bracket (Item 1). The M8 Nyloc Nut (Item 8) is fastened to the M8x16mm Hex Head Bolt (Item 7) and the Thin Nut (Item 4) receives the M8 Threaded Rod (Item 3), followed by another M8 Thin Nut (Item 4).

3.3



Insert the Hi-Lift Jack (Item A) and fasten it using the Mounting Key (Item 11), the two M10 Flat Washers (Item 10), M8 Spring Washer (Item 12) and the M10 Wing Nut (Item 13). Adjust the brackets so that the M8 Threaded Rod (Item 3) aligns with a hole in the Hi-Lift Jack (Item A). Ensure the Hi Lift Jack (Item A) is square and tighten the M8 Nyloc Nuts (Item 8) and M8 Thin Nut (Item 4), securing the mounting brackets. Place the M8 Nut Caps (Item 9) onto the M8 Nyloc Nuts (Item 8).

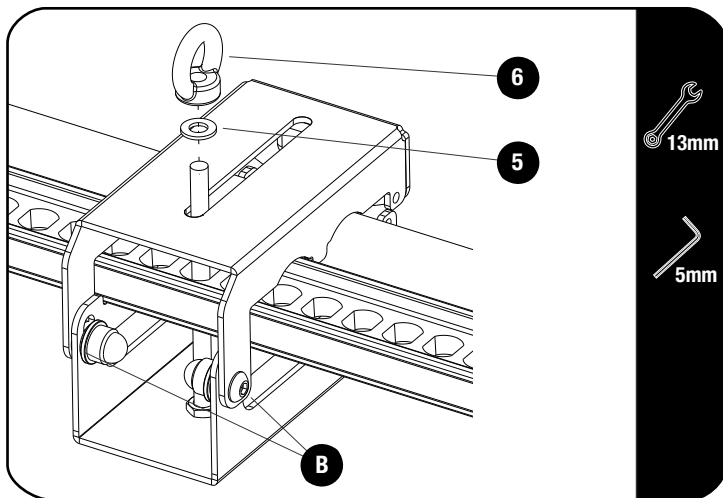


Tightening Torque:

M8 : 15-20Nm / 11.06 ft lb - 14.75 ft lb

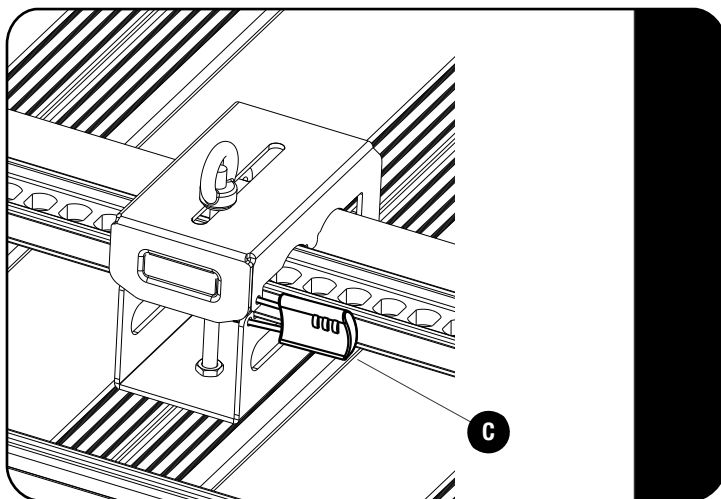
2**FIT AND SECURE**

3.4



🔄 Close the Clamp Bracket (Item 1) and insert a Nylon Washer (Item 5) and M8 Eye Nut (Item 6) onto the M8 Threaded Rod (Item 3). Ensure the Hi-Lift Jack is fitted securely and tighten the button head bolts (Item B) as seen in Fig 3.4.

3.5



🔄 For added security, you can use RRAC134 - Rack Accessory Lock (Item C) (sold separately). The cable lock gets inserted into the locking holes on the Clamp Bracket (Item 1) as seen in Fig 3.5

3**FINISH**

Congratulations! You did it. Take a step back and admire your work!

4**INSTALL OTHER VEHICLE AND RACK ACCESSORIES**

Now's the time to visit your favorite Front Runner Dealer in person or online.

Be sure to tag us. We love to see our gear in action! #FrontRunnerOutfitters #BornToRoam

Share your adventures on:

