

### READ ME !

Thank you for purchasing a Front Runner Toyota Rav4 Adventure (2019 - Current) Foot Rail.  
Before you start, take a moment to familiarize yourself with the Fitting Instructions and the included components.  
Refer to Page 2 for a list of all the components, quantities and tools required.

### IMPORTANT WARNING!

IT IS CRITICAL THAT ALL FRONT RUNNER PRODUCTS BE PROPERLY AND SECURELY ASSEMBLED AND ATTACHED TO YOUR VEHICLE. IMPROPER ATTACHMENT COULD RESULT IN AN AUTOMOBILE ACCIDENT, AND COULD CAUSE SERIOUS BODILY INJURY OR DEATH. YOU ARE RESPONSIBLE FOR ASSEMBLING AND SECURING ALL FRONT RUNNER PRODUCTS TO YOUR VEHICLE, CHECKING THE ATTACHMENTS PRIOR TO USE, AND PERIODICALLY INSPECTING THE PRODUCTS FOR ADJUSTMENT, WEAR AND DAMAGE. THEREFORE, YOU MUST READ AND UNDERSTAND ALL OF THE INSTRUCTIONS AND PRECAUTIONS SUPPLIED WITH YOUR FRONT RUNNER PRODUCT PRIOR TO INSTALLATION OR USE. IF YOU DO NOT UNDERSTAND ALL OF THE INSTRUCTIONS AND CAUTIONS, OR IF YOU HAVE NO MECHANICAL EXPERIENCE AND ARE NOT THOROUGHLY FAMILIAR WITH THE INSTALLATION PROCEDURES, YOU SHOULD HAVE THE PRODUCT INSTALLED BY A PROFESSIONAL INSTALLER OR OTHER QUALIFIED PERSONNEL.

**NOTE:** Front Runner will not be responsible for any damage caused by the failure to install the product according to these instructions.  
Please call us if you have any questions about the installation of this product.



# 1 GET ORGANIZED

## IN THE BOX

1	2 X	Foot Rail 1LH / 1 RH
2	10 X	M6 x 12 x 1 Flat Washer
3	10 X	M6 Spring Washer
4	10 X	M6 x 20 Hex Bolt
5	2 X	M6 Jack Nut
6	14 X	M8 x 20 Hex Bolt
7	14 X	M8 x 16 x 1.6 Flat Washer
8	14 X	M8 Nyloc Nut
9	14 X	M8 Nut Cap
10	2 X	M6 x 30 Button Head Bolt
11	1 X	Jack Nut Tool
12	10 X	M6 Nut Caps

## TOOLS NEEDED

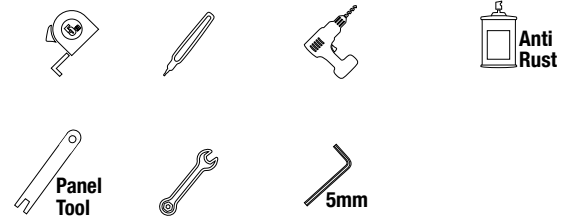
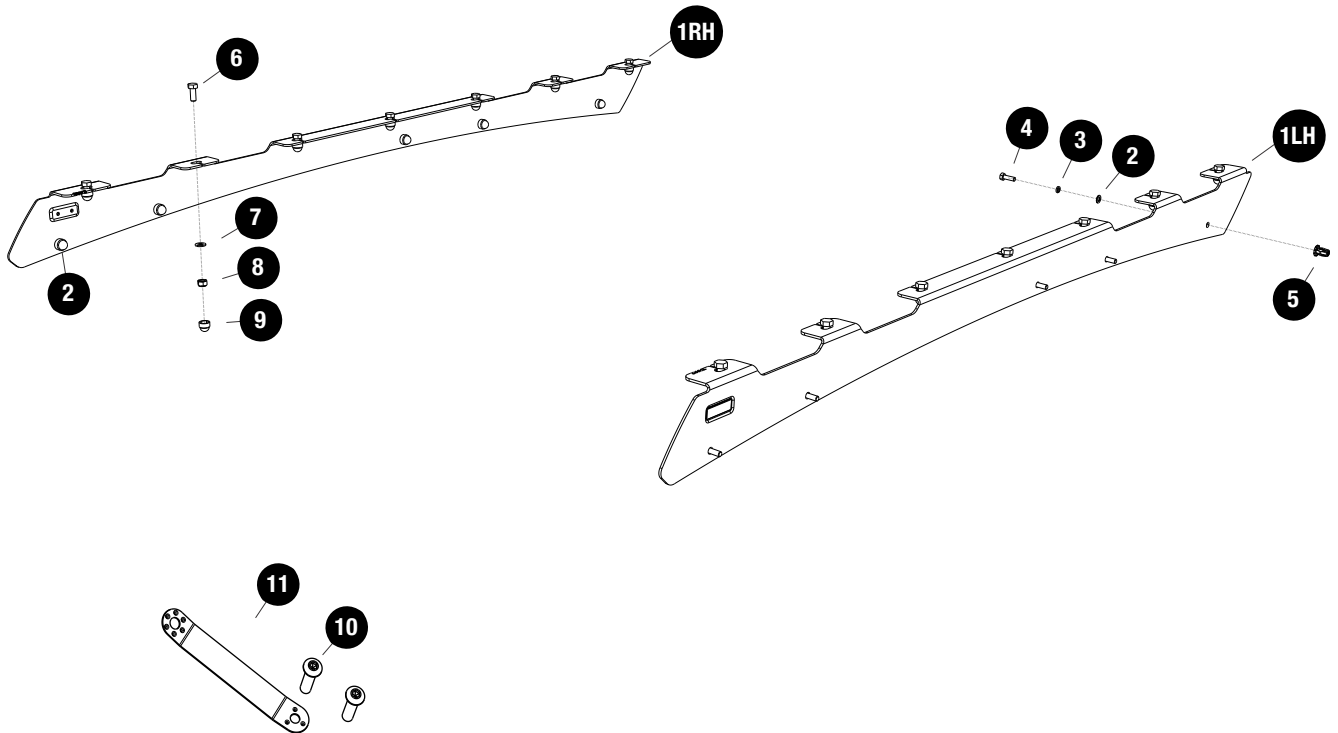


FIGURE 1.1



## 2

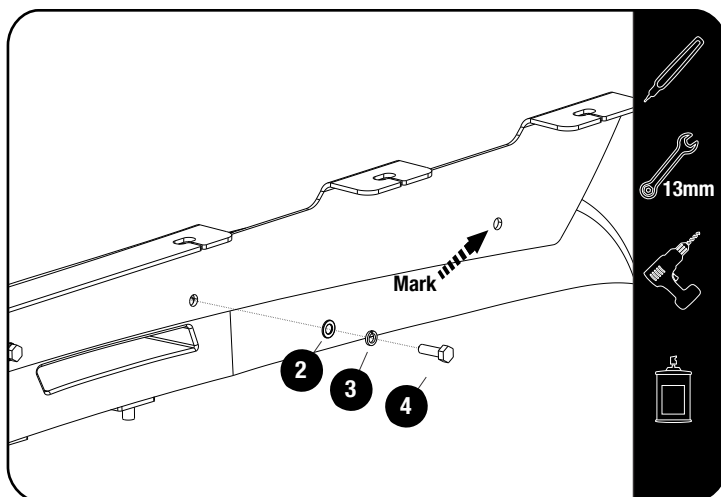
## FIT AND SECURE

2.1



Remove caps using suitable panel tooling.

2.2



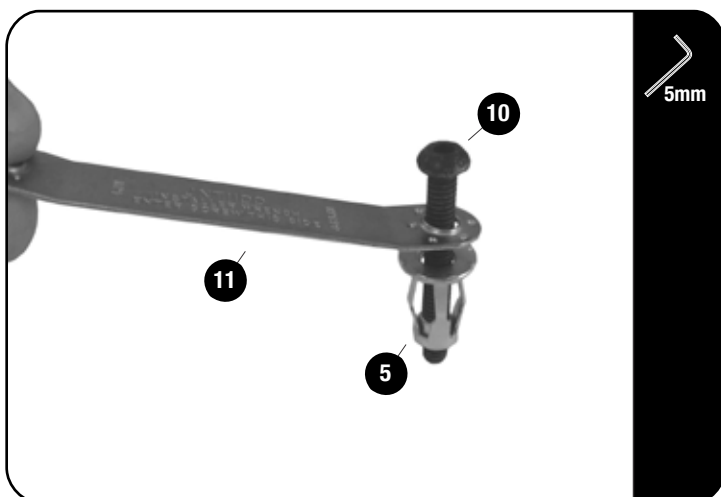
Mount the Foot Rail (Item 1) using the 1st & 4th hole from the front using M6 x 20 Hex Bolts, M6 Spring Washers and M6 x 12 x 1 Flat Washers (Items 2, 3 & 4). Use a marker to mark the center of the rear hole and remove the Foot Rail (Item 1). Do this on both sides.

Drill a 5mm pilot hole in the center of the markings. Open the holes using a 12mm drill bit.



Clean any excess debris around the holes. Do not apply excessive-force let the drill do the work. Apply anti rust.

2.3



Insert an M6 Button Head Bolt (Item 10) into the side of the installer wrench (Item 11). Loosely fit a M6 Jack Nut (Item 5) to the Button Head Bolt as shown.

Using the Jack Nut Tool and a M6x30 Button Head Bolt, insert the M6 Jack Nuts into both the rear holes drilled in 2.2.

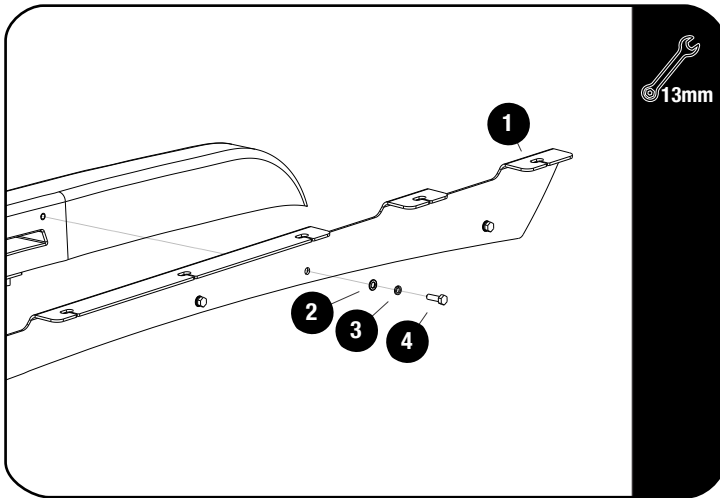
Using a cordless driver and a 4mm hex bit, set the M6 Jack Nut into the hole while holding onto the handle of the Jac Nut Tool.



Make sure that the M6 Jack Nut has pulled up all the way to the inside skin of the factory rail.

**2****FIT AND SECURE**

2.4



Secure the Foot Rail (Item 1) to the factory rail using M6 x 20 Hex Bolts, M6 Spring Washers and M6 x 12 x 1 Flat Washers (Items 2, 3 & 4).

Fully tighten all bolts.

Place M6 Nut Caps (Item 12) over all Hex Bolts (Item 4).

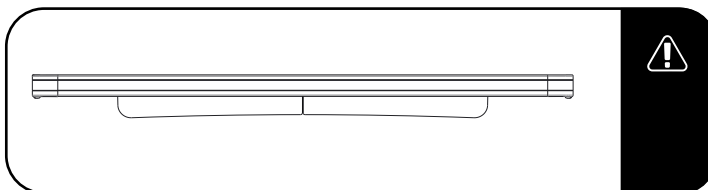
**3****FIT AND SECURE**

3.1

Refer to RRSUNI when assembling your Slimline II Tray.

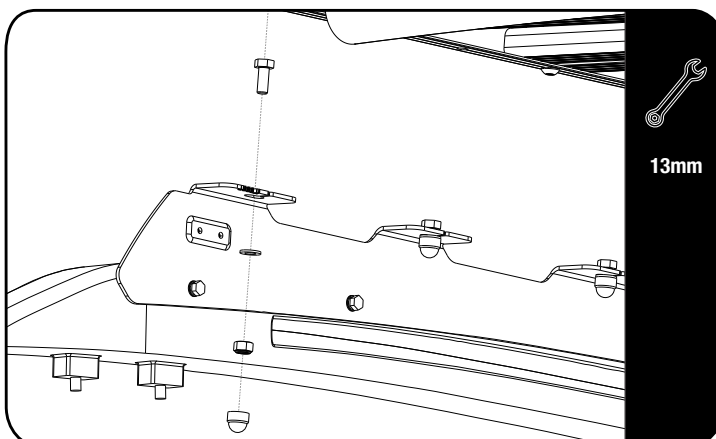


3.2



Make sure that the wind deflector is installed before you proceed to the next step.

3.3



Fit your roof rack to the Foot Rails (Item 1) using M8 x 20 Hex Bolts, M8 x 16 x 1.6SS Flat Washers and M8 Nyloc Nuts (Items 6, 7 & 8) as shown.



Center the rack & fully tighten all fasteners. Place M8 Nut Caps (Item 9) over all Nyloc Nuts (Item 8).

3

### **FINISH**

Congratulations! You did it. Take a step back and admire your work!

4

### **INSTALL OTHER VEHICLE AND RACK ACCESSORIES**

Now's the time to visit your favorite Front Runner dealer in person or online.

Be sure to tag us. We love to see our gear in action! #FrontRunnerOutfitters #BornToRoam

Share your adventures on: 