



FRONT RUNNER

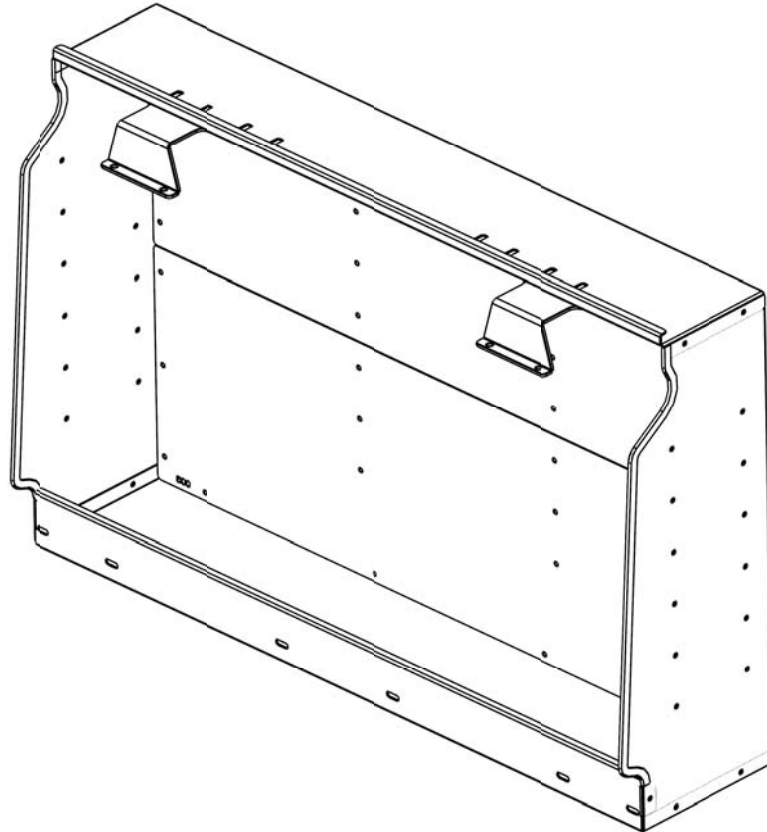
**LAND ROVER DEFENDER TDI & TD5
GULLWING WINDOW BOX**

ENG

GWLD008



INSTALL TIME: 2 Hours



You will need to have installed a Gullwing Door before installing the Window Box.

IMPORTANT WARNING!

IT IS CRITICAL THAT ALL FRONT RUNNER PRODUCTS BE PROPERLY AND SECURELY ASSEMBLED AND ATTACHED TO YOUR VEHICLE. IMPROPER ATTACHMENT COULD RESULT IN AN AUTOMOBILE ACCIDENT, AND COULD CAUSE SERIOUS BODILY INJURY OR DEATH TO YOU OR TO OTHERS. YOU ARE RESPONSIBLE FOR ASSEMBLING AND SECURING ALL FRONT RUNNER PRODUCTS TO YOUR VEHICLE, CHECKING THE ATTACHMENTS PRIOR TO USE, AND PERIODICALLY INSPECTING THE PRODUCTS FOR ADJUSTMENT, WEAR, AND DAMAGE. THEREFORE, YOU MUST READ AND UNDERSTAND ALL OF THE INSTRUCTIONS AND CAUTIONS SUPPLIED WITH YOUR FRONT RUNNER PRODUCT PRIOR TO INSTALLATION OR USE. IF YOU DO NOT UNDERSTAND ALL OF THE INSTRUCTIONS AND CAUTIONS, OR IF YOU HAVE NO MECHANICAL EXPERIENCE AND ARE NOT THOROUGHLY FAMILIAR WITH THE INSTALLATION PROCEDURES, YOU SHOULD HAVE THE PRODUCT INSTALLED BY A PROFESSIONAL INSTALLER OR OTHER QUALIFIED PERSONNEL.

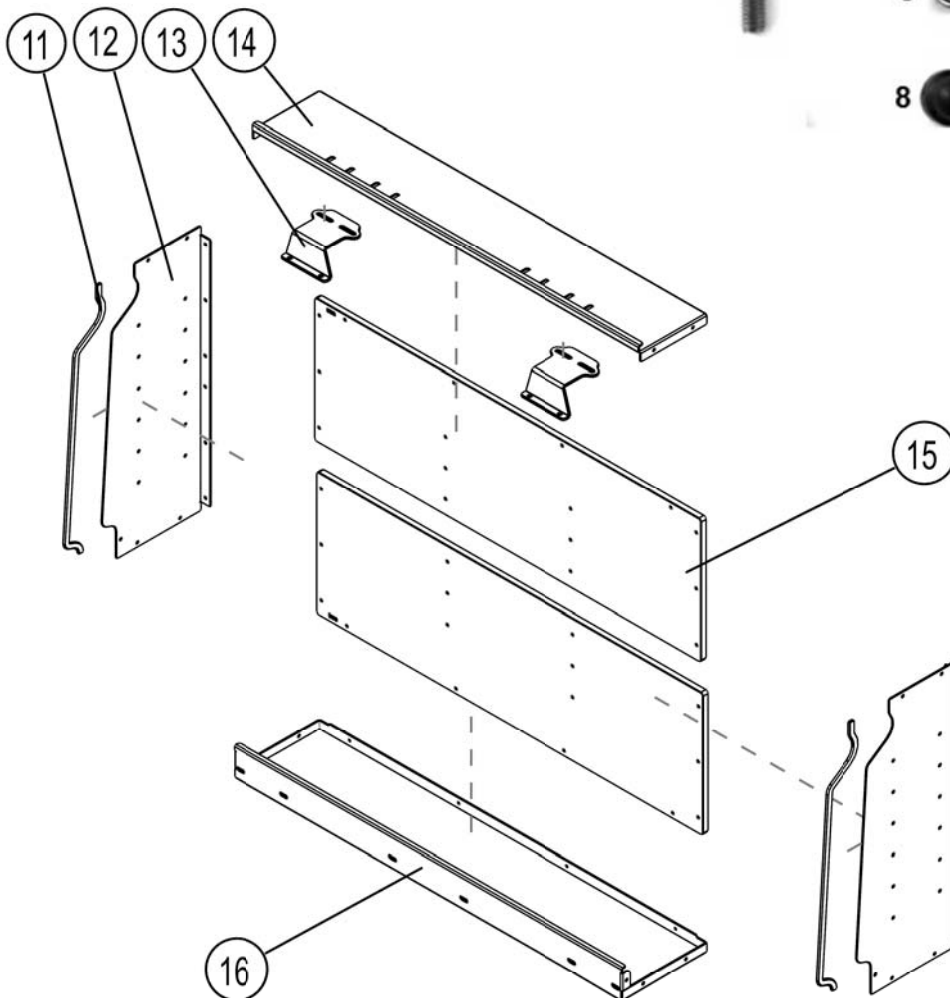
1 GET ORGANIZED...

Here is what you are looking at:

Item #	Quantity	Description
1	3	M6 x 50 HEX BOLT
2	8	M6 x 25 HEX BOLT
3	20	M6 x 20 BUTTON HEAD BOLT
4	10	M6 X 12 BUTTON HEAD BOLT
5	30	M6 NYLOC NUT
6	60	M6 FLAT WASHER
7	11	M6 x 19 FLAT WASHER
8	30	M6 NUT CAP
9	4	M6 CAGE NUT
10	11	M6 SPRING WASHER
11	2	PINCH WELD
12	2	SIDE PANEL - 1 LEFT, 1 RIGHT
13	2	MOUNTING BRACKET
14	1	TOP PANEL
15	2	WOOD BACK PANEL
16	1	BOTTOM PANEL

You will need:

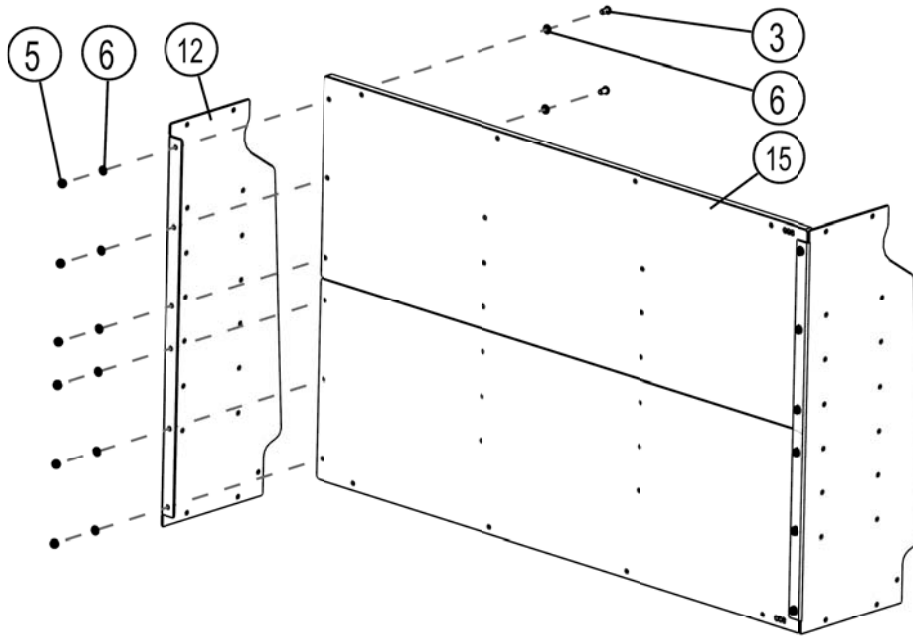
- Drill Machine
- 7 mm Drill Bit
- 10 mm Flat or Socket Wrench
- 4 mm Hex Key
- 17 mm Flat or Socket Wrench
- Suitable Work Surface for Assembling your Gullwing Window Box



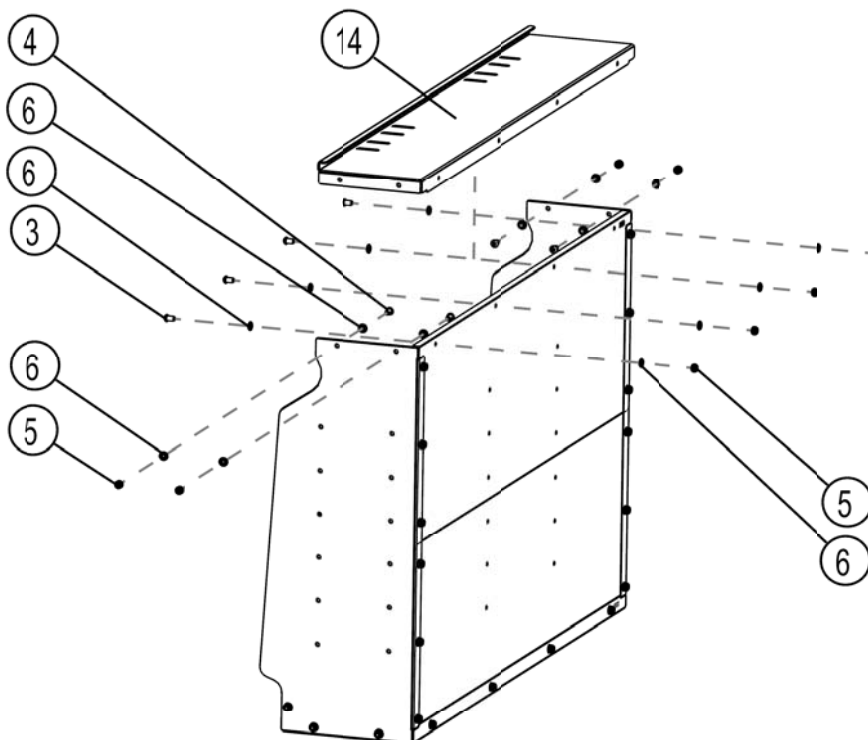
(A) Familiarize yourself with the parts and then step away from the work area and read through these instructions from beginning to end. Take a moment as little prep now may save you a lot of time later.

2 ASSEMBLE GULLWING WINDOW BOX

- (A) Assemble the Side Panels and Wooden Back Panels (Items 12 & 15) together as illustrated below using twelve M6 x 20 Button Head Bolts, twenty four M6 Flat Washers and twenty four M6 Nyloc Nuts (Items 3, 5 & 6)

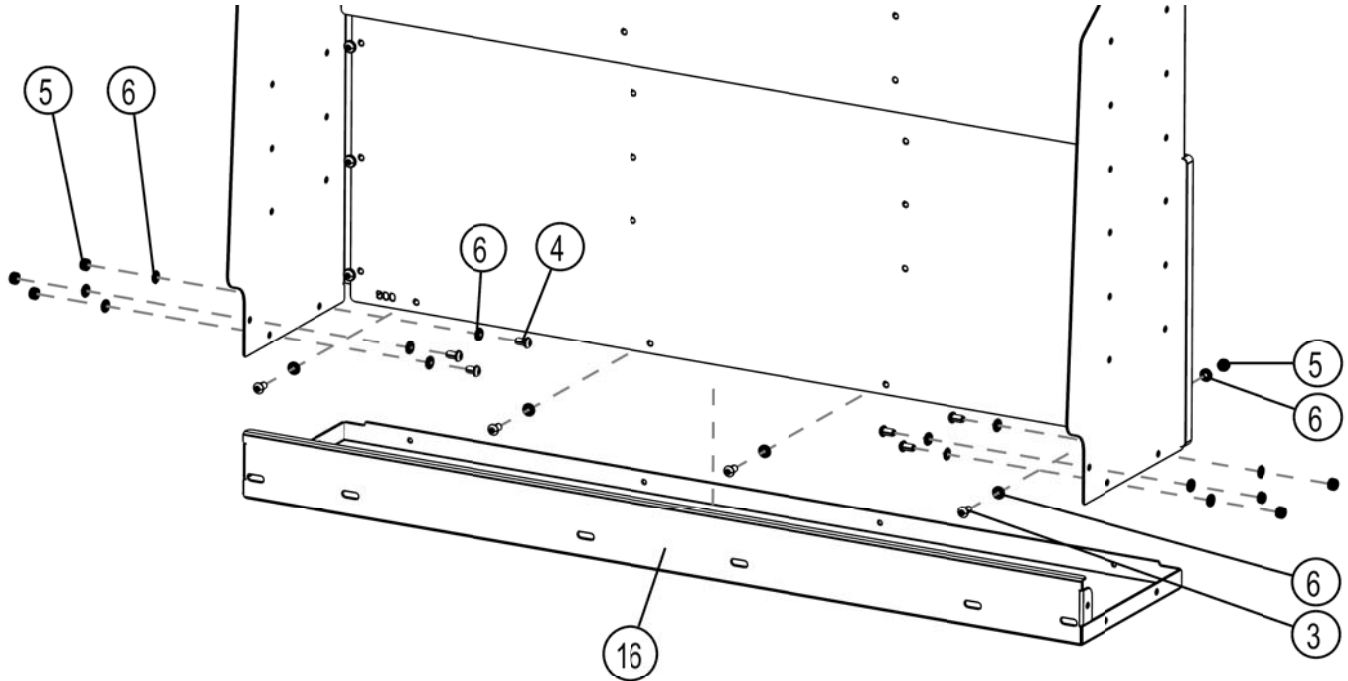


- (B) Assemble the Top Panel (Item 14) to the Side and Wooden Back Panel Assembly as shown using four M6 x 20 Button Head Bolts, four M6 x 12 Button Head Bolts, sixteen M6 Flat Washers and eight M6 Nyloc Nuts (Items 3, 4, 5, 6).



2 ASSEMBLE GULLWING WINDOW BOX CONT...

- (C) Assemble the Bottom Panel (Item 16) as shown below using four M6 x 20 Button Head Bolts, six M6 x 12 Button Head Bolts, twenty M6 Flat Washers and ten M6 Nyloc Nuts (Items 3, 4, 5, 6).



- (D) Starting from the top, fit the Pinch Weld (Item 11) over each edge of the Side Panels by pushing one end of the Pinch Weld over the edge and then "rolling" and pushing it down the length of the Side Panel as shown.

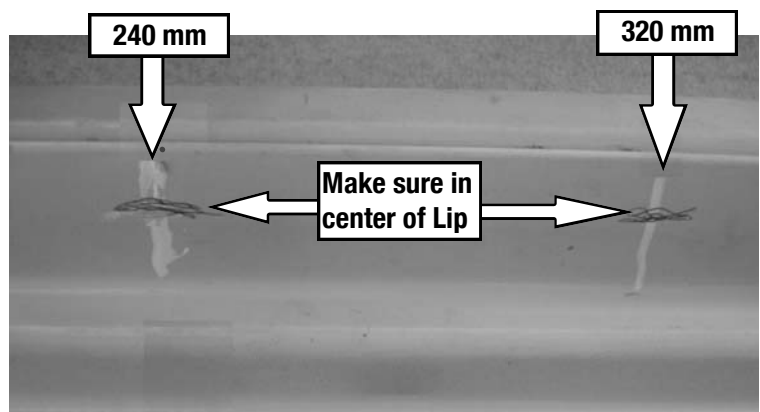
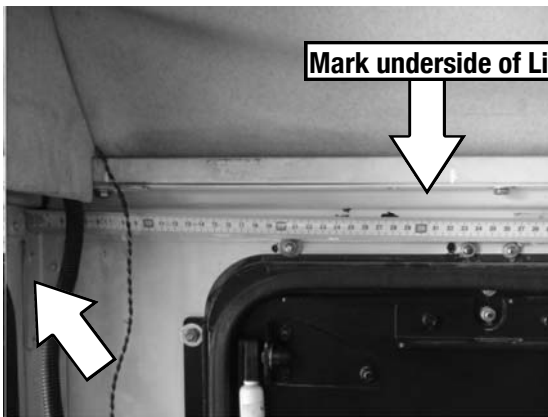


3 FIT THE TOP MOUNTING BRACKETS

- (A) Decide on which side of the vehicle you would like to mount your Window Box. Working on the chosen side, loosen the rear passenger seat belt bolt as indicated by the arrow. Remove the side and rear interior panels that surround the window.



- (B) Starting at the rear corner of the vehicle, measure and mark the underside of the lip as shown on the following four distances 240 mm, 320 mm, 740 mm and 820 mm. Ensure that your markings are in the center of the lip. Using a 7 mm drill bit and drill machine, drill a 7 mm hole through the lip on each of your four markings.



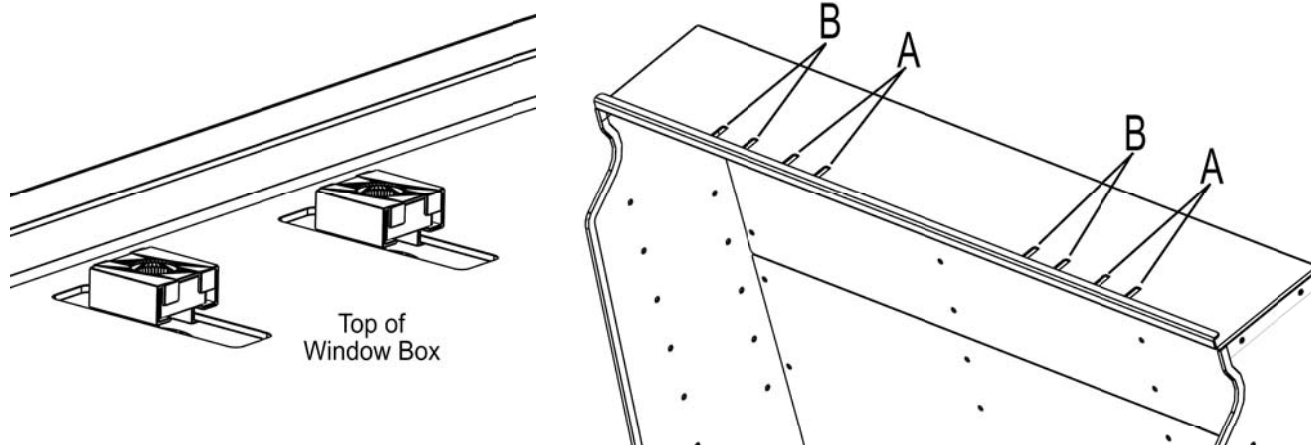
- (C) Place the two Mounting Brackets (Item 13) on the inside of the Lip as shown. Line the mounting points in the bottom of the Brackets up with the holes drilled in Step 3B and secure the Brackets to the vehicle using four M6 x 25 Hex Bolts, four M6 Spring Washers and four M6 x 19 Flat Washers (Items 2, 7, 10) supplied.

Refit the interior panels, but do not refit the three fasteners found below the window used to secure the body panel to the vehicle.



4 FIT THE GULLWING WINDOW BOX

- (A) Insert a M6 Cage Nut (Item 9) into the top of each of the four slots for pairing "A" or pairing "B" as indicated. Slot pairing "A" is used if you are mounting your Window Box on the left hand side of the vehicle and slot pairing "B" is used if you mounting your Window Box on the right hand side of the vehicle.



- (B) With the help of a friend on the inside of the vehicle, lift the Window Box up and onto the Mounting Brackets fitted in Step 3C. Working from the outside of the vehicle, line the slots in the Window Box up with the slots in the Mounting Brackets and secure the Window Box to the Mounting Brackets using four M6 x 25 Hex Bolts, four M6 Spring Washers and four M6 x 19 Flat Washers (Items 2, 7, 10) supplied. You may need your friend on the inside of the vehicle to adjust the position of the cage nuts fitted in Step 4A in order to fasten the box to the Brackets.



Front Left Hand Side



Rear Left Hand Side

4 FIT THE GULLWING WINDOW BOX CONT...

- (C) Have your friend on the inside of the vehicle look underneath the Window Box and locate the three slots/ cut outs in the vehicle's body as indicated by the arrows. Have your friend locate the studed plate in each slot and hold it in position, while you, working from the outside of the vehicle, secure the bottom of the Window Box to the vehicle using three M6 x 50 Button Head Bolts, three M6 Spring Washers and three M6 Flat Washers (Items 1, 7, 10) supplied.



- (D) Congratulations, you have completed your installation. Take a step back and admire your work. Good Job!



5 INSTALL OTHER VEHICLE AND RACK ACCESSORIES

- (A) Now's the time to visit your favorite Front Runner dealer in person or online.