

# START HERE!

## READ ME FIRST

Don't be a hero and muscle through this installation without reading these fitting instructions first! Improper installation of this gear may void certain aspects of your warranty.

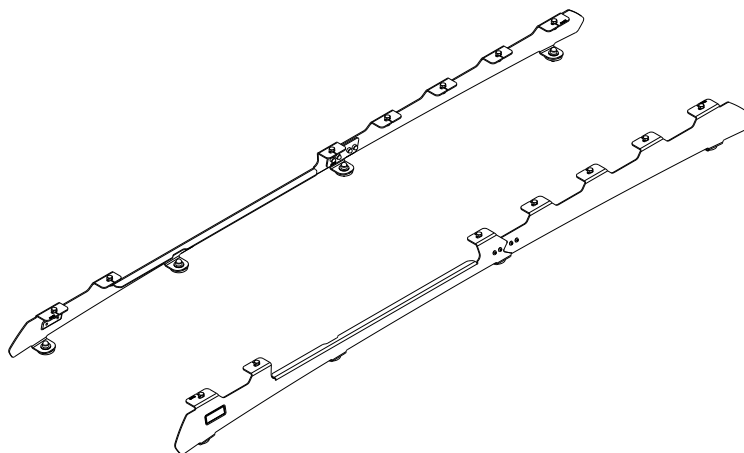
Before you begin, take a moment and open all your Front Runner rack kit boxes and gather the assembly instructions for the various components.

A complete kit will contain:

1. A Front Runner Mounting System specific to your vehicle
2. A Front Runner Rack Tray or Load Bar Slats

This document will guide you through the assembly of the mounting system and assist you in fitting the roof rack tray or load bars to your specific vehicle.

Please refer to the next page for a list of all the components, quantities and tools required.



### IMPORTANT WARNING!

IT IS CRITICAL THAT ALL FRONT RUNNER PRODUCTS BE PROPERLY AND SECURELY ASSEMBLED AND ATTACHED TO YOUR VEHICLE. IMPROPER ATTACHMENT COULD RESULT IN AN AUTOMOBILE ACCIDENT, AND COULD CAUSE SERIOUS BODILY INJURY OR DEATH. YOU ARE RESPONSIBLE FOR ASSEMBLING AND SECURING ALL FRONT RUNNER PRODUCTS TO YOUR VEHICLE, CHECKING THE ATTACHMENTS PRIOR TO USE, AND PERIODICALLY INSPECTING THE PRODUCTS FOR ADJUSTMENT, WEAR AND DAMAGE. THEREFORE, YOU MUST READ AND UNDERSTAND ALL OF THE INSTRUCTIONS AND PRECAUTIONS SUPPLIED WITH YOUR FRONT RUNNER PRODUCT PRIOR TO INSTALLATION OR USE. IF YOU DO NOT UNDERSTAND ALL OF THE INSTRUCTIONS AND CAUTIONS, OR IF YOU HAVE NO MECHANICAL EXPERIENCE AND ARE NOT THOROUGHLY FAMILIAR WITH THE INSTALLATION PROCEDURES, YOU SHOULD HAVE THE PRODUCT INSTALLED BY A PROFESSIONAL INSTALLER OR OTHER QUALIFIED PERSONNEL.

**NOTE:** Front Runner will not be responsible for any damage caused by the failure to install the product according to these instructions.

Please call us if you have any questions about the installation of this product.

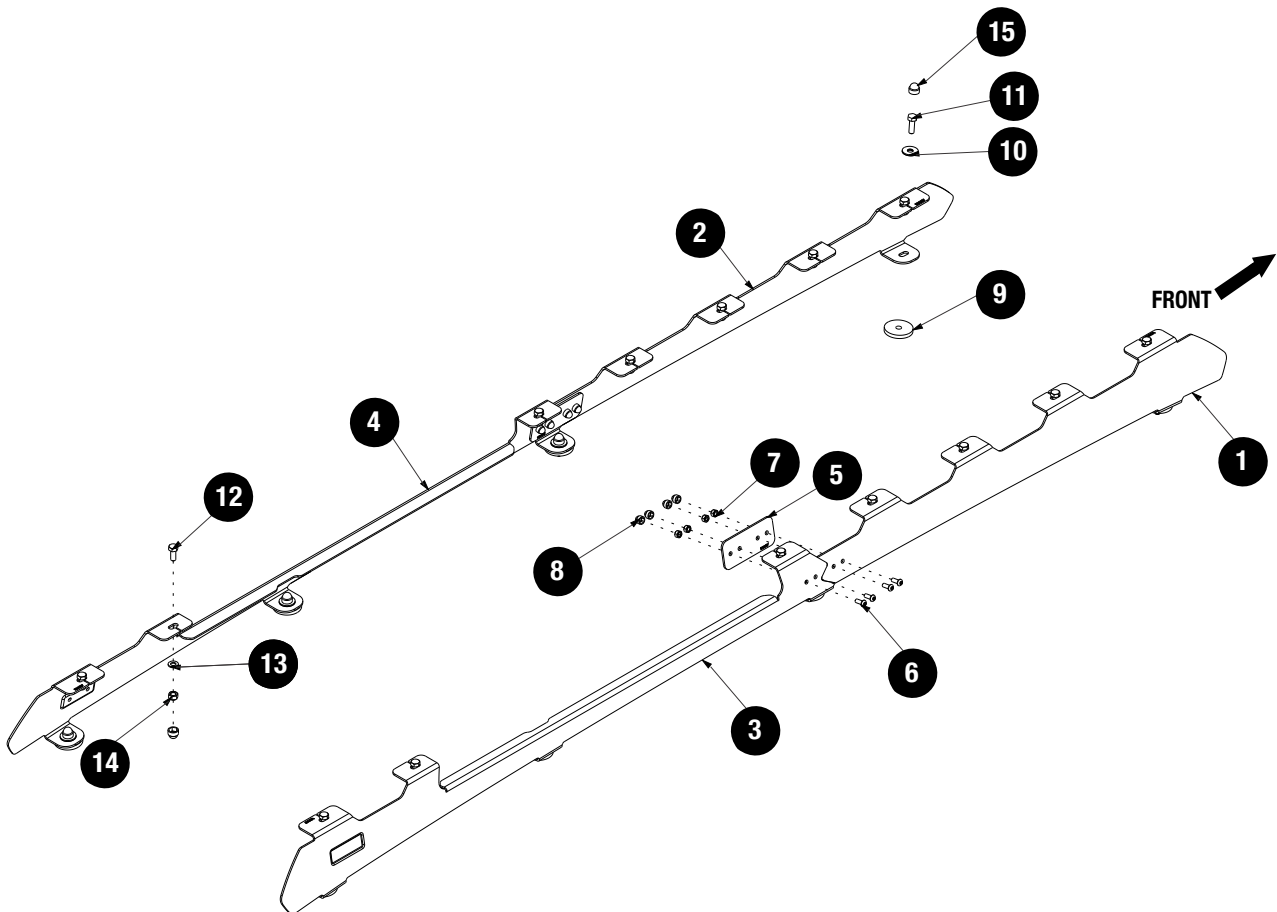


# 1 GET ORGANIZED

## IN THE BOX

1	1 X	Foot Rail Front RH
2	1 X	Foot Rail Front LH
3	1 X	Foot Rail rear RH
4	1 X	Foot Rail Rear LH
5	2 X	Joiner Plate
6	8 X	M6 x 16 Button Head Screw
7	8 X	M6 Nyloc Nut
8	8 X	M6 Nut Cap
9	8 X	Spacer 6mm HDPE
10	8 X	M8 x 25 x 2 Flat Washer
11	8 X	M8 x 25 Hex Bolt
12	14 X	M8 x 20 Hex Bolt
13	14 X	M8 x 16 x 1.6 Flat Washer
14	14 X	M8 Nyloc Nut
15	22 X	M8 Nut Cap

## TOOLS NEEDED



2

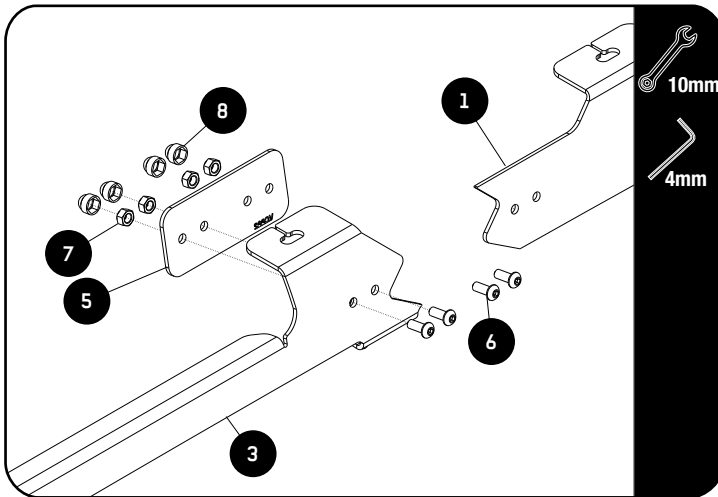
**FIT AND SECURE**

2.1



🔄 Starting by removing the 6 x OEM M8 screws from the roof.

2.2



🔄 Assemble the Front and Rear Root Rail (Item 1 & 3) together with the Joiner plate (Item 5) Using the M6 x 16 Button head screw and M6 Nyloc Nut (Item 6 & 7)

Fully tighten the M6 x 16 Button head screws and place the M6 Nut caps (Item 8) over the M6 Nyloc Nut.

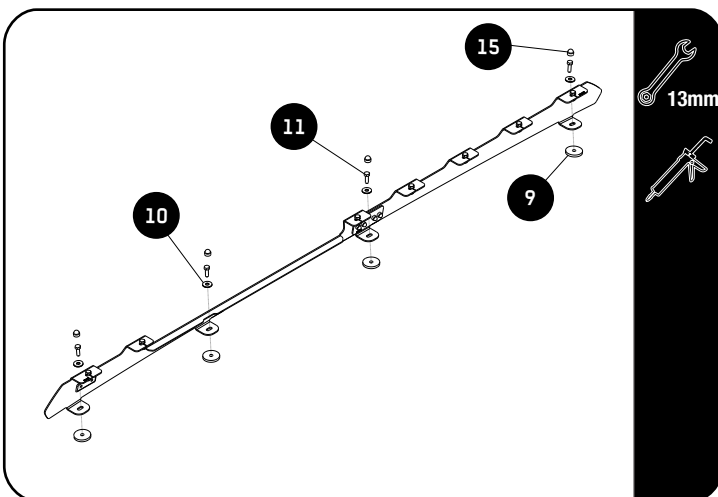
Do this both LH and RH side.



**Tightening Torque:**

M6 : 8-10Nm / 5.9 ft lb - 7.38 ft lb

2.3



🔄 Put a small amount of silicone over each Mounting Point and place the spacer (Item 9) on top of the silicone, lining up with the hole in the spacer with the mounting point.

Place the Foot Rail on top of the spacer and fasten the Foot Rail to the roof using the M8 x 25 Hex Bolts and M8 x 25 x 2 Flat washers (Item 10 & 11).

Fully Tighten all the M8 x 25 Hex Bolts (Item 11) and place the M8 Nut Caps (item 15) On to the Bolts.



**Tightening Torque:**

M8 : 15-20Nm / 11.06 ft lb - 14.75 ft lb

## 2 FIT AND SECURE

2.4

Refer to RRSTUNI when assembling your Slimline II Tray.

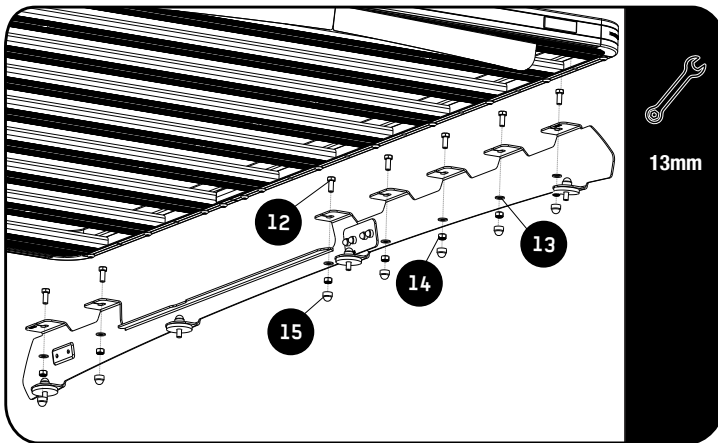


2.5



Make sure that the wind deflector is installed before you proceed to the next step.

2.6



Fit your roof rack to the Foot Rails using M8 x 20 Hex Bolts, M8 x 16 x 1.6SS Flat Washers and M8 Nyloc Nuts (Items 12, 13 & 14) as shown.



**Tightening Torque:**

M8 : 15-20Nm / 11.06 ft lb - 14.75 ft lb

2.7

Center the rack and tighten fully. Use M8 Nut Caps (Items 15) to finish off the nuts.





3

## COMPLETION

3.1

Congratulations! You did it. Take a step back and admire your work!



4

## INSTALL OTHER VEHICLE AND RACK ACCESSORIES

Now's the time to visit your favorite Front Runner dealer in person or online.

### IMPORTANT!

FRONT RUNNER RACK KITS OFTEN HAVE A HIGHER LOAD RATING THAN THE VEHICLES THEY ARE MOUNTED TO. PLEASE REFER TO YOUR SPECIFIC VEHICLE MANUFACTURER FOR A RECOMMENDED ROOF RATING. FRONT RUNNER CANNOT BE RESPONSIBLE FOR IMPROPER LOADING BEYOND THE VEHICLE MANUFACTURER'S STATED LOAD CAPACITY.

Be sure to tag us. We love to see our gear in action! #FrontRunnerOutfitters #BornToRoam

Share your adventures on: 