**READ ME !** 

Thank you for purchasing Front Runner Mercedes Sprinter Ladder.

Before you start, take a moment to familiarize yourself with the Fitting Instructions and the components received.

Refer to Page 2 for a list of all the components, quantities and tools required.

IMPORTANT WARNING! 

IT IS CRITICAL THAT ALL FRONT RUNNER PRODUCTS BE PROPERLY AND SECURELY ASSEMBLED AND ATTACHED TO YOUR VEHICLE. IMPROPER ATTACHMENT COULD RESULT IN AN AUTOMOBILE ACCIDENT, AND COULD CAUSE SERIOUS BODILY INJURY OR DEATH. YOU ARE RESPONSIBLE FOR ASSEMBLING AND SECURING ALL FRONT RUNNER PRODUCTS TO YOUR VEHICLE, CHECKING THE ATTACHMENTS PRIOR TO USE, AND PERIODICALLY INSPECTING THE PRODUCTS FOR ADJUSTMENT, WEAR AND DAMAGE. THEREFORE, YOU MUST READ AND UNDERSTAND ALL OF THE INSTRUCTIONS AND PRECAUTIONS SUPPLIED WITH YOUR FRONT RUNNER PRODUCT PRIOR TO INSTALLATION OR USE. IF YOU DO NOT UNDERSTAND ALL OF THE INSTRUCTIONS AND CAUTIONS, OR IF YOU HAVE NO MECHANICAL EXPERIENCE AND ARE NOT THOROUGHLY FAMILIAR WITH THE INSTALLATION PROCEDURES, YOU SHOULD HAVE THE PRODUCT INSTALLED BY A PROFESSIONAL INSTALLER OR OTHER QUALIFIED PERSONNEL.

NOTE: Front Runner will not be responsible for any damage caused by the failure to install the product according to these instructions.

Please call us if you have any questions about the installation of this product.

1

GET ORGANIZED

IN THE BOX

1	1 X	Top RH Ladder Side
2	1 X	Top Hinge Bracket
3	4 X	M10 Nut Cap
4	4 X	M10 x 30 Hex Head Bolt
5	2 X	Hinge Washer Plate
6	8 X	M10 Flat Washer
7	4 X	Foam Rubber Pad
8	12 X	M6 x 16 Button Head Screw
9	4 X	M10 Nyloc Nut
10	2 X	Joiner Plate
11	1 X	Bottom RH Ladder Side
12	12 X	M6 x 12 Button Head Screw
13	1 X	Bottom Hinge Bracket
14	2 X	M6 Jack Nut
15	27 X	M6 Flat Washer
16	1 X	M6 Spring Washer
17	2 X	M6 x 20 Button Head Screw
18	2 X	Ladder Rung - MS4
19	25 X	M6 Nyloc Nut

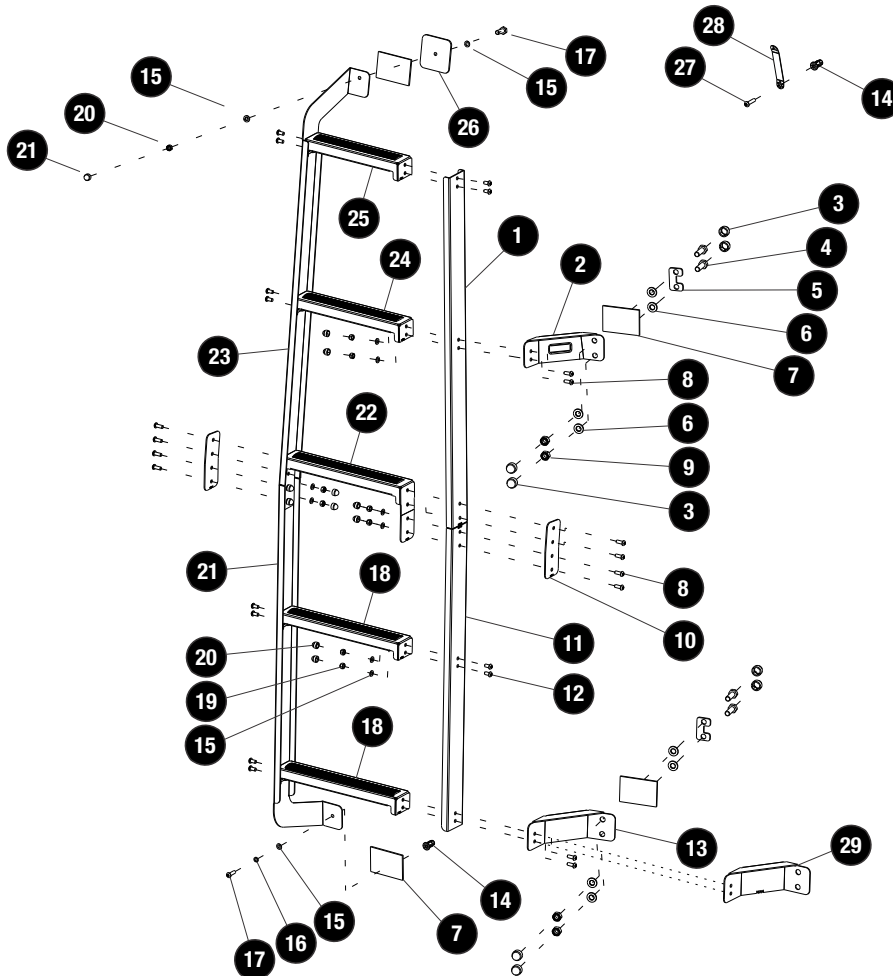
IN THE BOX

20	25 X	M6 Nut Cap
21	1 X	Bottom LH Ladder Side
22	1 X	Ladder Rung - MS3
23	1 X	Top LH Ladder Side
24	1 X	Ladder Rung - MS2
25	1 X	Ladder Rung - MS1
26	1 X	Large Washer Plate
27	2 X	M6 x 25 Button Head Screw
28	1 X	M6 Jack Nut Tool
29	1 X	Hinge Bracket MAN

TOOLS NEEDED



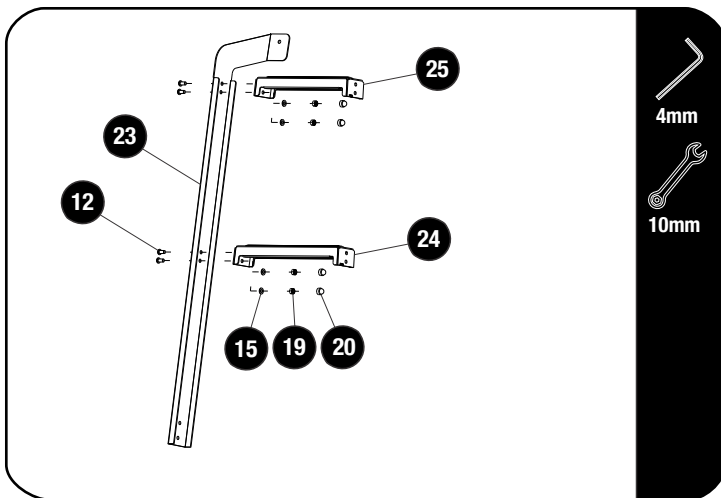
FIGURE 1.1



2

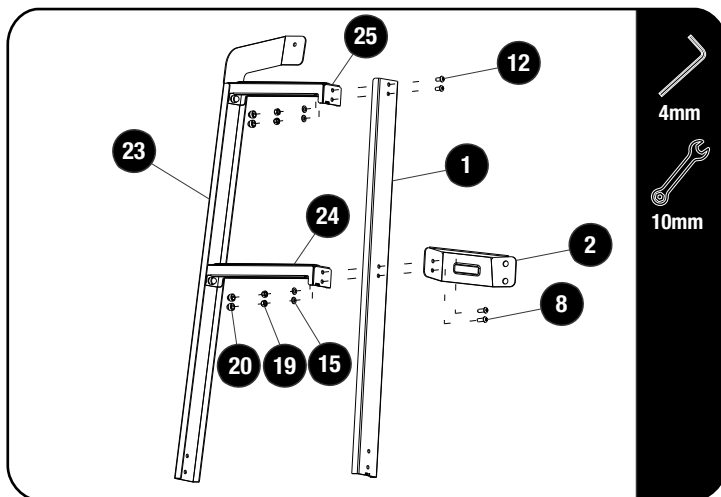
FIT AND SECURE

2.1



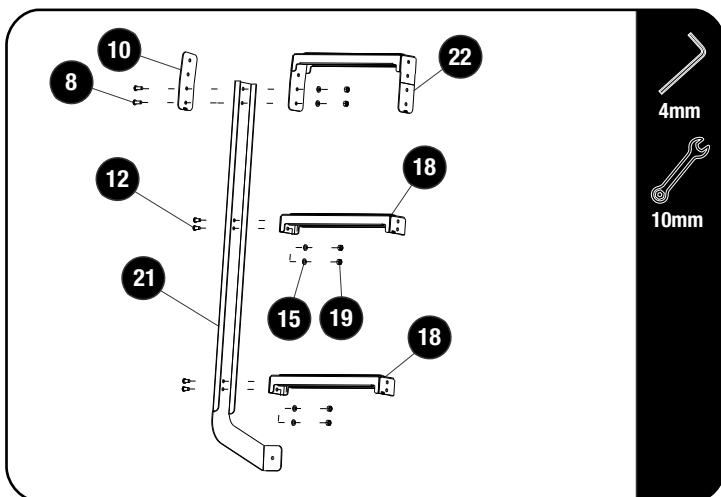
Assemble the Ladder Rung (Item 25) and the Ladder Rung (Item 24) to the Top LH Ladder Side (Item 23) using four M6x12 Button Head Screws, four M6 Flat Washers and four M6 Nyloc Nuts (Item 12, 15 & 19). Finish off by placing six M6 Nut Caps (Item 20) on the M6 Nyloc Nuts.

2.2



Assemble the Top RH Ladder Side (Item 1) and the Top Hinge Bracket (Item 2) to the assembly in 2.1, using two M6x12 Button Head Screws, two M6x16 Button Head Screws, four M6 Flat Washers and four M6 Nyloc Nuts (Item 12, 8, 15 & 19). Finish off by placing four M6 Nut Caps (Item 20) on the M6 Nyloc Nuts.

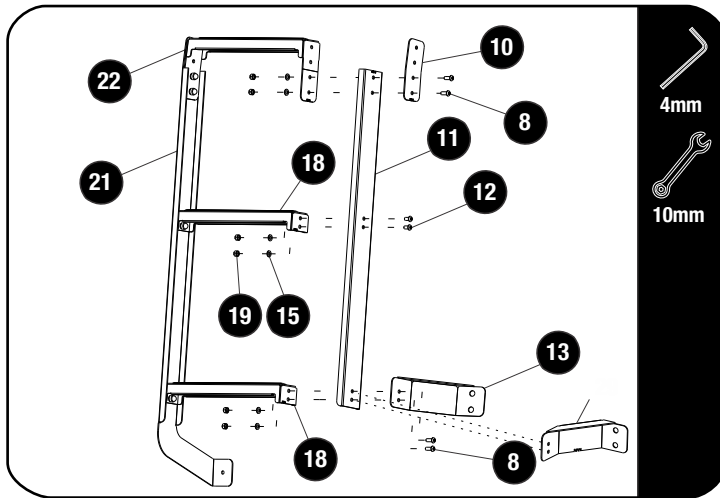
2.3



Assemble the two Ladder Rungs (Item 18) to the Bottom LH Ladder Side (Item 21) using four M6x12 Button Head Screws, four M6 Flat Washers and four M6 Nyloc Nuts (Item 12, 15 & 19).

Loosely assemble the Ladder Rung (Item 22) and one Joiner Plate (Item 10) to the Bottom LH Ladder Side using two M6x16 Button Head Screws, two M6 Flat Washers and two M6 Nyloc Nuts (Item 8, 15 & 19).

2.4



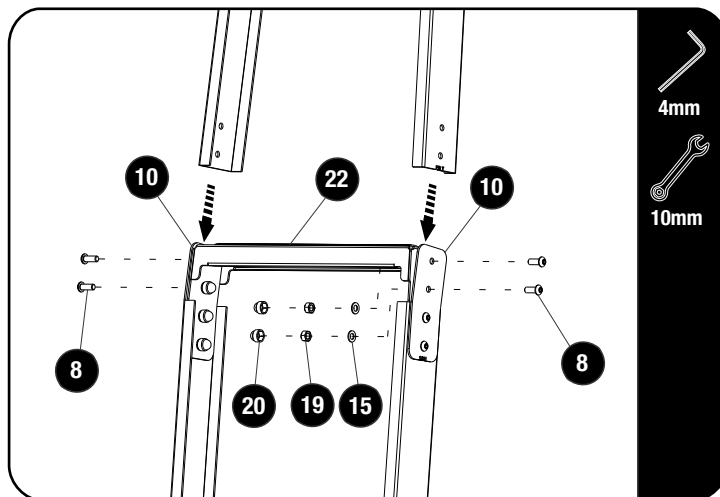
Assemble the Bottom RH Ladder Side (Item 11) and the Bottom Hinge Bracket (Item 13) to the assembly, using two M6x12 Button Head Screws, four M6x16 Button Head Screws, six M6 Flat Washers and four M6 Nyloc Nuts (Item 12, 8, 15 & 19).

Loosely assemble the second Joiner Plate (Item 10), using two M6x16 Button Head Screws, two M6 Flat Washers and two M6 Nyloc Nuts (Item 8, 15 & 19).



Use (Item 29) for MAN Model

2.5

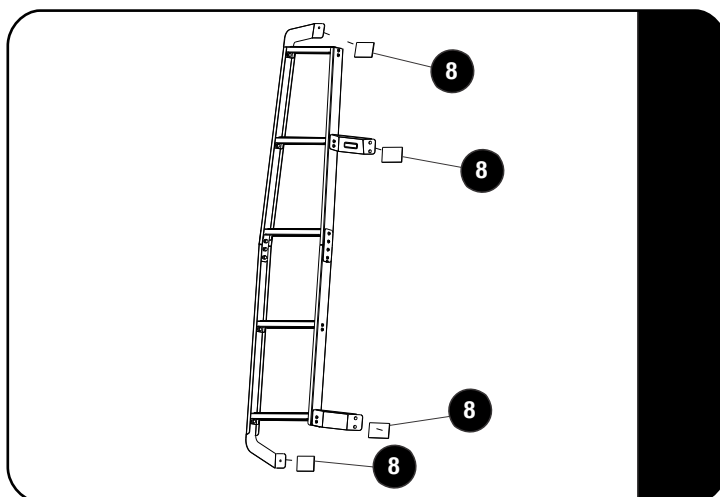


Join the top and bottom assemblies by sliding the top ladder assembly between the Joiner Plates (Item 10) and the Ladder Rung (Item 22).

Align the holes on the left and right and secure using four M6x16 Button Head Screws, four M6 Flat Washers and four M6 Nyloc Nuts (Item 8, 15 & 19). Fully tighten all fasteners.

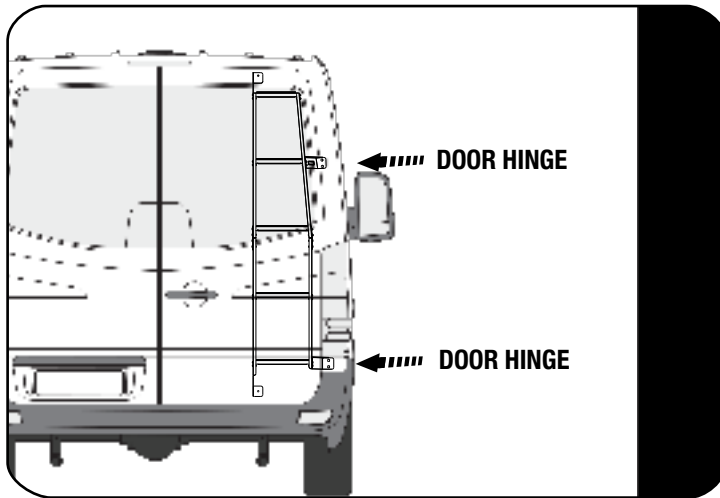
Finish of by placing fourteen M6 Nut Caps (Item 20) on all the exposed M6 Nyloc Nuts.

2.6



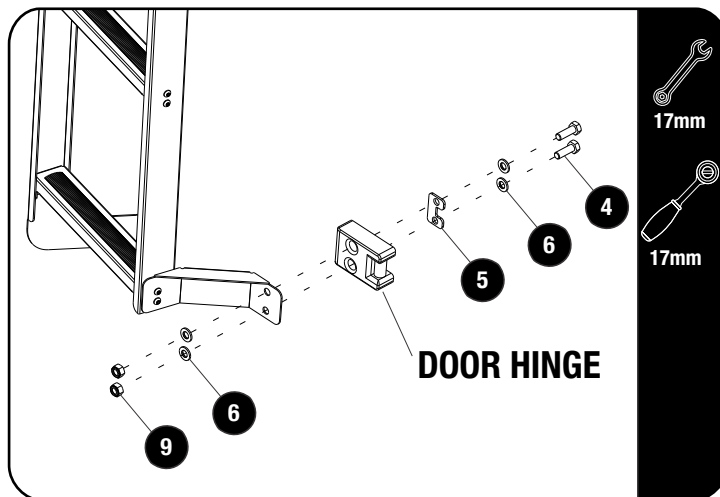
Remove backing and place the four Foam Rubber Pads (Item 7) onto the ladder's feet and trim to fit.

2.7



Working on the right rear door, open the door and have a friend position the Ladder so that the mounting holes align with the existing holes in the top and bottom door hinge outer castings as shown in 2.8.

2.8

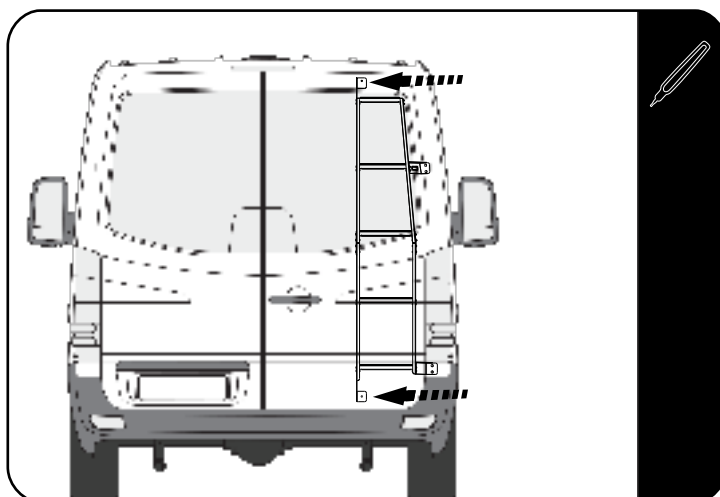


Loosely secure the Ladder to the hinge outer casting at the top of the door using two M10x30 Hex Head Bolts, four M10 Flat Washers, one Washer Plate and two M10 Nyloc Nuts (Items 4, 6, 5 & 9).

Repeat the above step for the lower door Hinge mount.

Align the Ladder before fully tightening all the fasteners.

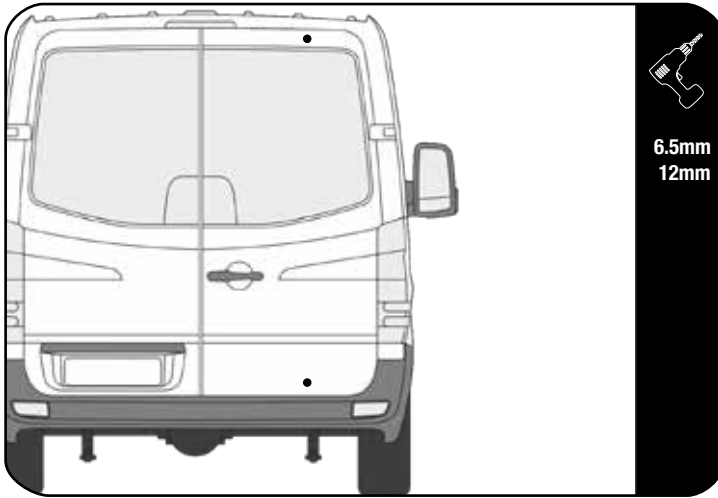
2.9



Mark the left-hand side top & bottom holes on the door as shown.

Remove the Ladder and all fasteners.

2.10

6.5mm
12mm**TOP HOLE:**

Using a 6.5mm drill bit, drill a pilot hole in the center of your marking, making sure to go through both skins of the door.

BOTTOM HOLE:

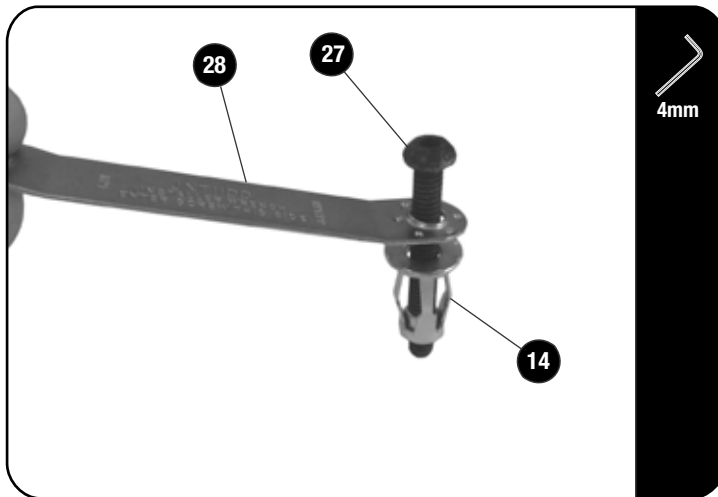
Again using a 6.5mm drill bit, drill a pilot hole on the bottom mark. Open the hole using a 12mm drill bit.



Only go through the first outer skin of the door.

Apply Anti Rust on the exposed metal of each hole.

2.11



4mm



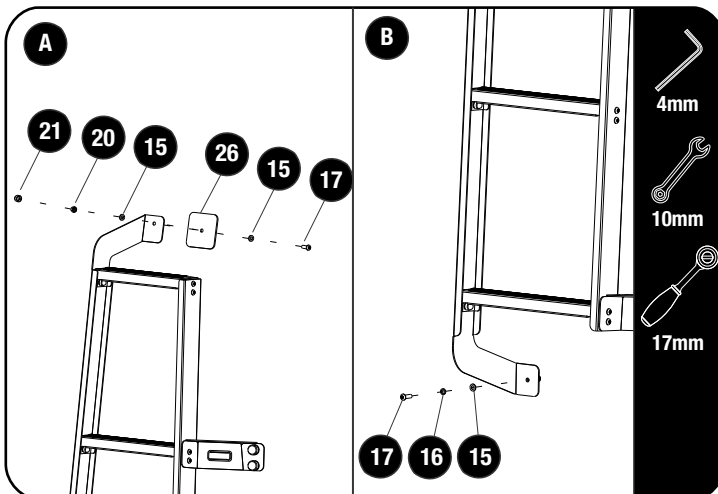
Insert the M6 x 25 Button Head Bolt (Item 27) into the one side of the M6 Jack Nut Tool (Item 28). Loosely fit a M6 Jack Nut (Item 14) to the Button Head Bolt as shown.

Place the assembly into the hole drilled in 2.10. Using a 4mm Allen Key set the Jack Nut into the hole while holding the M6 Jack Nut Tool (Item 28) firmly.



Make sure that the Jack Nut has pulled up all the way to the inside skin of the door panel.

2.12



4mm



10mm



17mm



Repeat steps in 2.8 and refit the Ladder to the door hinges.



Using one M6x20 Button Head Screw, two M6x12x1SS Flat Washers, the Large Washer Plate and one M6 Nyloc Nut (Items 17, 15, 26 & 20) for the top hole. Fully tighten.



Using one M6x20 Button Head Screw, one M6 Spring Washer and M6x12x1SS Flat Washer (Items 17, 16 & 15) into the pre-installed Jack nut installed at the bottom in 2.11. Fully tighten.

Finish off by placing M6 Nut Caps (Item 20) and M10 Nut Caps (Item 3) on all the M6 Nyloc Nuts and M10 Nyloc Nuts.



The Large Washer Plate (Item 26) will only be installed on the inside of the door with Mercedes Sprinter's High Roof and Super High Roof models.

3

FINISH

Congratulations! You did it. Take a step back and admire your work!

4

INSTALL OTHER VEHICLE AND RACK ACCESSORIES

Now's the time to visit your favorite Front Runner Dealer in person or online.

Be sure to tag us. We love to see our gear in action! #FrontRunnerOutfitters #BornToRoam

Share your adventures on: 