

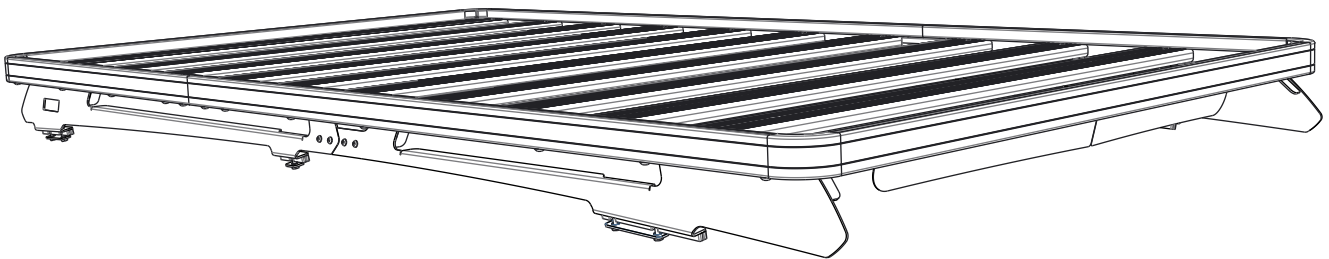


FRONT RUNNER
VEHICLE OUTFITTERS

MITSUBISHI PAJERO CK LWB
FOOT RAIL

ENG

FAMP001



READ ME FIRST! ⚠️

Thank you for purchasing a Front Runner Foot Rail.

Before you start, take a moment to familiarize yourself with this Fitting Instruction and the components received.

Refer to Page 2 for a list of all the components, quantities and tools required.

IMPORTANT WARNING! ⚠️

IT IS CRITICAL THAT ALL FRONT RUNNER PRODUCTS BE PROPERLY AND SECURELY ASSEMBLED AND ATTACHED TO YOUR VEHICLE. IMPROPER ATTACHMENT COULD RESULT IN AN AUTOMOBILE ACCIDENT, AND COULD CAUSE SERIOUS BODILY INJURY OR DEATH. YOU ARE RESPONSIBLE FOR ASSEMBLING AND SECURING ALL FRONT RUNNER PRODUCTS TO YOUR VEHICLE. CHECKING THE ATTACHMENTS PRIOR TO USE, AND PERIODICALLY INSPECTING THE PRODUCTS FOR ADJUSTMENT, WEAR AND DAMAGE. THEREFORE YOU MUST READ AND UNDERSTAND ALL OF THE INSTRUCTIONS AND PRECAUTIONS SUPPLIED WITH YOUR FRONT RUNNER PRODUCT PRIOR TO INSTALLATION OR USE. IF YOU DO NOT UNDERSTAND ALL OF THE INSTRUCTIONS AND CAUTIONS, OR IF YOU HAVE NO MECHANICAL EXPERIENCE AND ARE NOT THOROUGHLY FAMILIAR WITH THE INSTALLATION PROCEDURES, YOU SHOULD HAVE THE PRODUCT INSTALLED BY A PROFESSIONAL INSTALLER OR OTHER QUALIFIED PERSONNEL.

1

GET ORGANIZED

Here is what you are looking at for FAMP001

IN THE BOX

1	2 X	Rear Foot Rail; 1xLH, 1xRH
2	2 X	Front Foot Rail; 1xLH, 1xRH
3	2 X	Rear Bolting Plate
4	2 X	Rear Spacer
5	2 X	Middle Spacer
6	2 X	Middle Bolting Plate
7	2 X	Splice Plate
8	2 X	Front Spacer
9	2 X	Front Bolting Plate
10	18 X	M6 Nut Cap
11	10 X	M6x30 Hex Bolt
12	10 X	M6 Spring Washer
13	10 X	M6x19x1 SS Flat Washer

IN THE BOX CONTINUED

14	12 X	M8x20 Hex Bolt
15	8 X	M6x16 Button Head
16	8 X	M6 Nyloc Nut
17	12 X	M8x16x1.6 Stainless Steel Flat Washer
18	12 X	M8 Nyloc Nut
19	12 X	M8 Nut Cap
20	1 X	Foot Sealing Kit RRAC082 *(Not Shown)

TOOLS NEEDED



13mm
10mm



Measuring
Tape

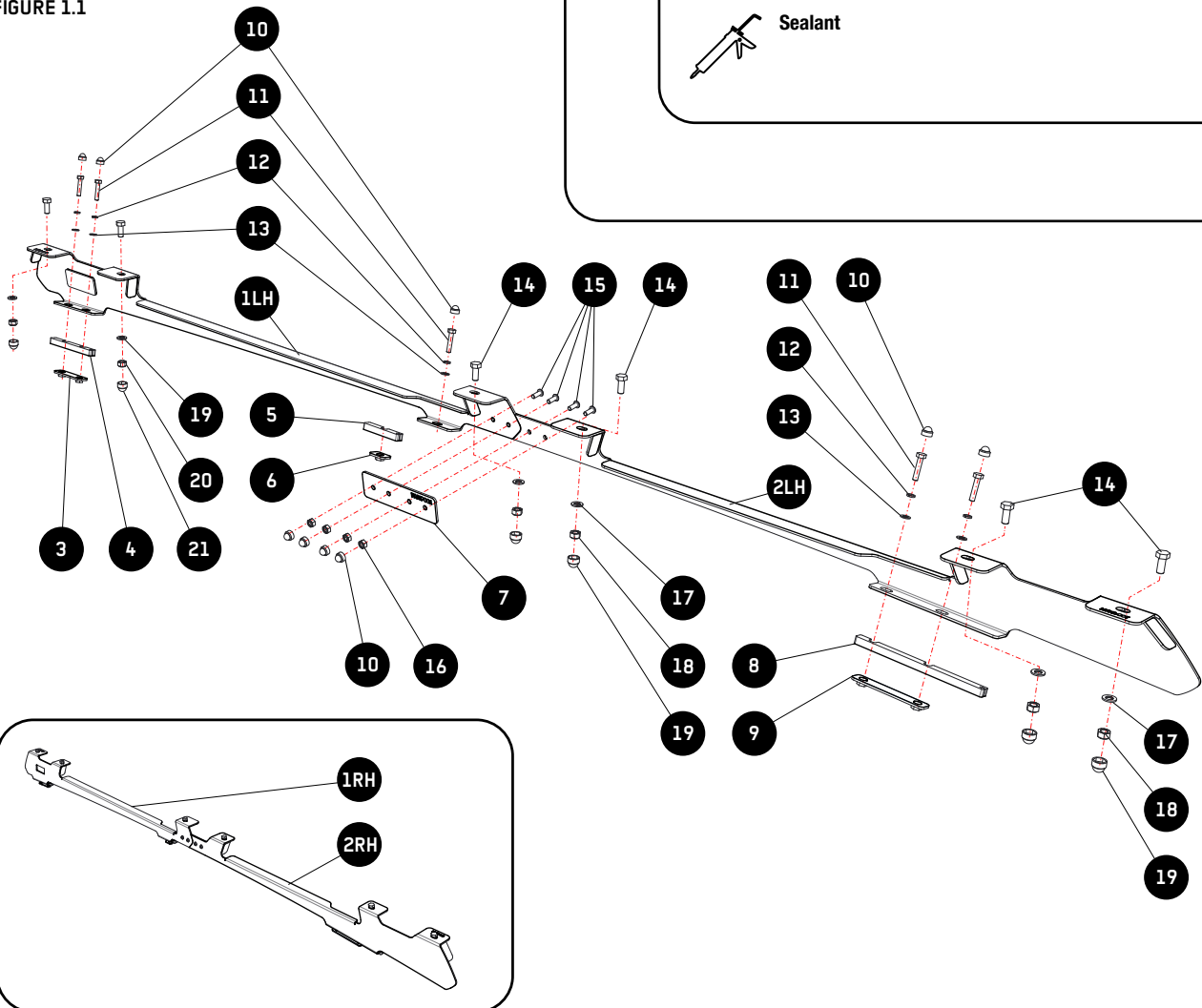


5mm



Sealant

FIGURE 1.1



2**FIT AND SECURE**

2.1

To achieve this installation you will need to drop the interior roof lining and remove the factory roof rails. Tools needed are not listed.



2.2

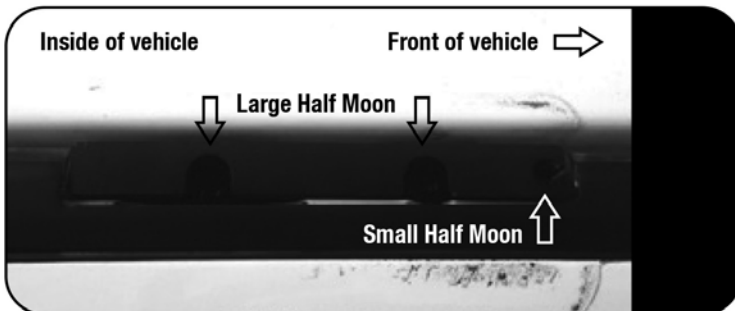


Clean the area around all of the mounting points on the vehicle's roof using a rag and methylated spirits or denatured alcohol.



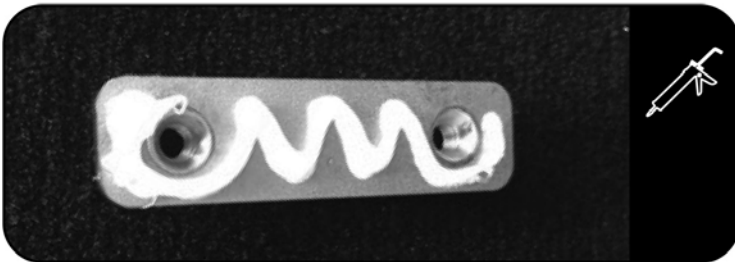
Place some Silicone over each hole.

2.3



Place the three different sized spacers (Items 4, 5 & 8) into each corresponding "mounting recess" as shown.

2.4



Place silicon onto the bolting plates Items 3, 6 and 9.

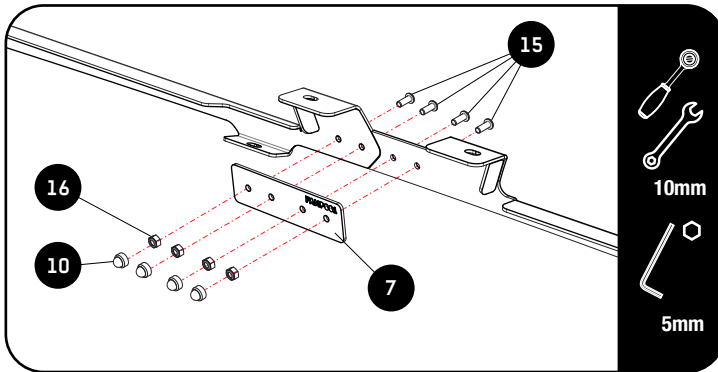
2.5



Fit Front and Rear Foot Rail Item 1 and 2 loosely with Items 11, 12, 13 and the corresponding bolting plate.

2**FIT AND SECURE**

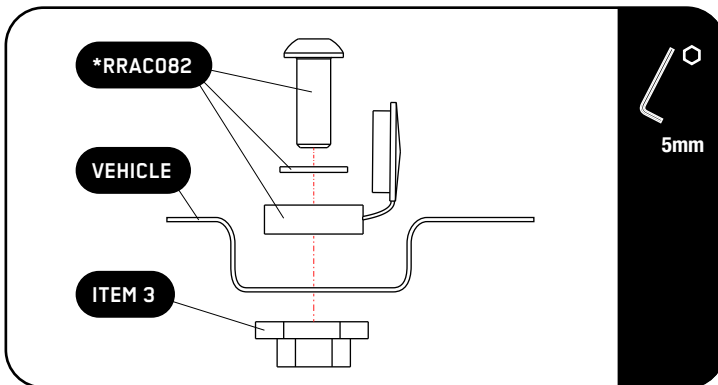
2.6



If you are only fitting a half rack please skip this step.

Join the 2 halves of the roof rails with the supplied splice plate Item 7. Fasten as shown the Items 10, 16,

2.7



When only fitting a half rack use the supplied instructions and components received with your roof sealing kit (*RRAC082), seal the front two holes on either side of the vehicle roof as shown.

Bonding the front plate in place, you can upgrade to a full rack at a later stage.

2.8

Tighten all the nuts and bolts securing the foot rails to the vehicle's roof. Place a M6 Nut Cap (Item 10) over each of the M6 Nuts and Hex Bolts.

2.9

At this stage refit the vehicles interior roof lining and other components removed in step 2.1

3**FIT AND SECURE**

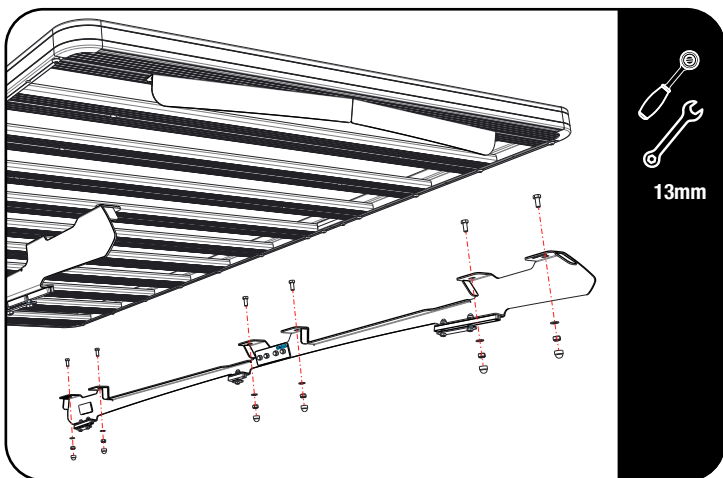
3.1

Refer to RRSUNI when assembling your Slimline II Tray.
See Step 3.2 You will need to insert Item 6 into the Front Combined Slat before fitting the Wind Deflector.



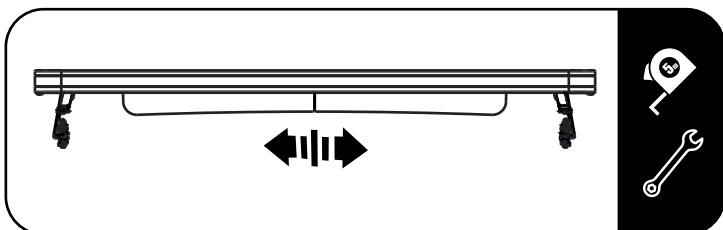
3 FIT AND SECURE

3.1



Use Item 4, 6 & 3 to Fit and Secure Your Roof Rack to the Foot Rails.

3.3



Take a moment to centre the Rack and Fully Tighten. Use Items 3 to Finish off the Bolts.

4 COMPLETION

4.1

Congratulations! You did it. Take a step back and admire your work!



5 INSTALL OTHER VEHICLE AND RACK ACCESSORIES

Now's the time to visit your favorite Front Runner Dealer in person or online.

IMPORTANT!

FRONT RUNNER RACK KITS OFTEN HAVE A HIGHER LOAD RATING THAN THE VEHICLES THEY ARE MOUNTED TO. PLEASE REFER TO YOUR SPECIFIC VEHICLE MANUFACTURER FOR A RECOMMENDED ROOF RATING. FRONT RUNNER CANNOT BE RESPONSIBLE FOR IMPROPER LOADING BEYOND THE VEHICLE MANUFACTURER'S STATED LOAD CAPACITY.

Be sure to tag us. We love to see our gear in action! #FrontRunnerOutfitters #BornToRoam

Share your adventures on: 