



START HERE!

READ ME FIRST

Don't be a hero and muscle through this without first reading these fitting instructions! Improper installation of this gear may void certain aspects of your warranty.

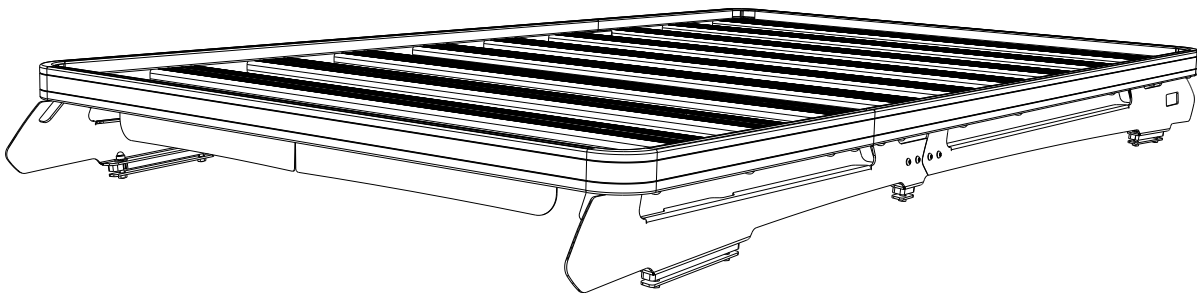
Before you begin, take a moment and open all your Front Runner rack kit boxes and gather the assembly instructions for the various components.

A complete kit will contain:

1. A Front Runner Mounting System specific to your vehicle
2. A Front Runner Rack Tray or Load Bar Slats

This document will guide you through the assembly of the mounting system and assist you in fitting the roof rack tray or load bars to your specific vehicle.

Please refer to the next page for a list of all the components, quantities and tools required.



IMPORTANT WARNING!

IT IS CRITICAL THAT ALL FRONT RUNNER PRODUCTS BE PROPERLY AND SECURELY ASSEMBLED AND ATTACHED TO YOUR VEHICLE. IMPROPER ATTACHMENT COULD RESULT IN AN AUTOMOBILE ACCIDENT, AND COULD CAUSE SERIOUS BODILY INJURY OR DEATH. YOU ARE RESPONSIBLE FOR ASSEMBLING AND SECURING ALL FRONT RUNNER PRODUCTS TO YOUR VEHICLE. CHECKING THE ATTACHMENTS PRIOR TO USE, AND PERIODICALLY INSPECTING THE PRODUCTS FOR ADJUSTMENT, WEAR AND DAMAGE. THEREFORE YOU MUST READ AND UNDERSTAND ALL OF THE INSTRUCTIONS AND PRECAUTIONS SUPPLIED WITH YOUR FRONT RUNNER PRODUCT PRIOR TO INSTALLATION OR USE. IF YOU DO NOT UNDERSTAND ALL OF THE INSTRUCTIONS AND CAUTIONS, OR IF YOU HAVE NO MECHANICAL EXPERIENCE AND ARE NOT THOROUGHLY FAMILIAR WITH THE INSTALLATION PROCEDURES, YOU SHOULD HAVE THE PRODUCT INSTALLED BY A PROFESSIONAL INSTALLER OR OTHER QUALIFIED PERSONNEL.

1

GET ORGANIZED

Here is what you are looking at for FATF005

IN THE BOX

1	2 X	Front Foot Rail; 1xLH, 1xRH
2	2 X	Rear Foot Rail; 1xLH, 1xRH
3	18 X	Nut Cap M6
4	10 X	Hex Bolt M6x35
5	10 X	Spring Washer M6
6	10 X	Flat Washer M6x19x1ss
7	10 X	Hex Bolt M8x20
8	10 X	Flat Washer M8x16x1.6ss
9	10 X	Nyloc Nut M8
10	10 X	Nut Cap M8
11	8 X	Button Head M6x16
12	8 X	Flat Washer M6x12x1ss
13	8 X	Nyloc Nut M6
14	2 X	Spacer Rear
15	2 X	Nut Plate Rear

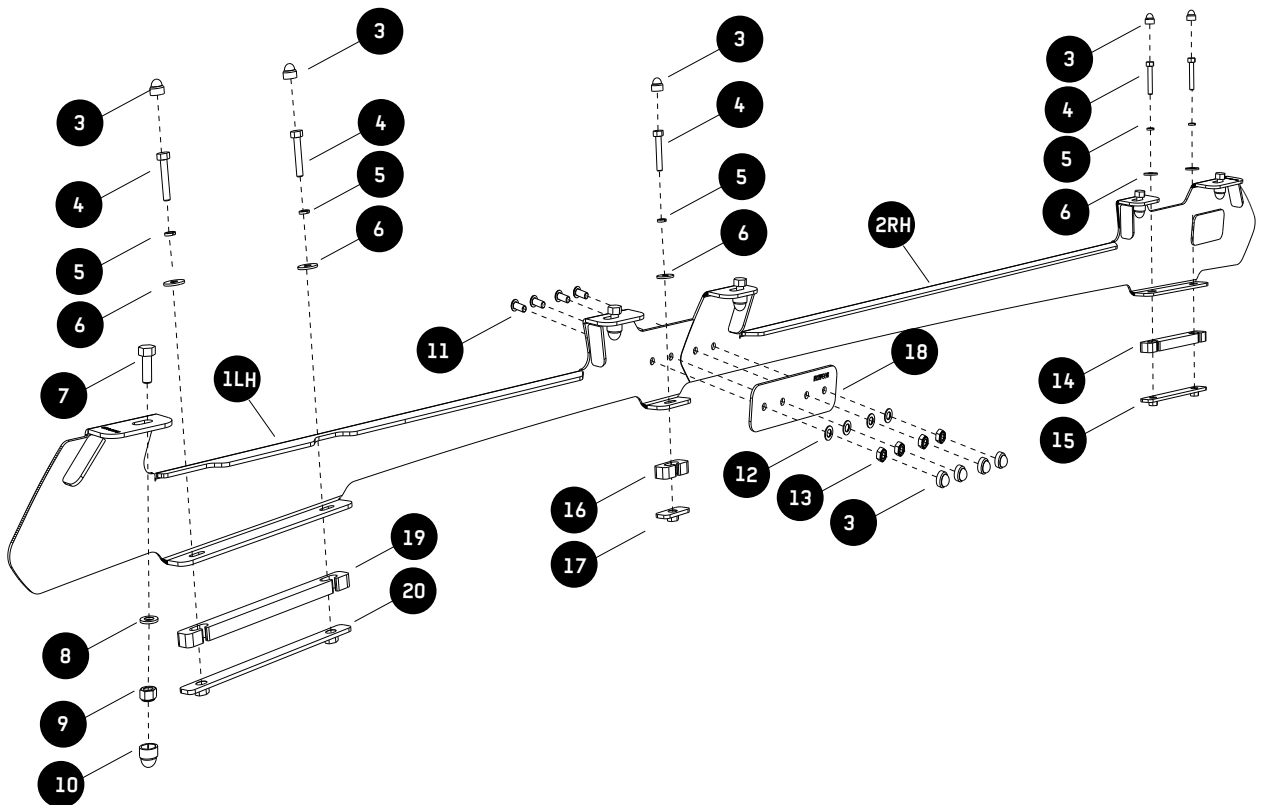
IN THE BOX CONTINUED

16	2 X	Spacer Middle
17	2 X	Nut Plate Middle
18	2 X	Splice Plate
19	2 X	Spacer Front
20	2 X	Nut Plate Front

TOOLS NEEDED



FIGURE 1.1

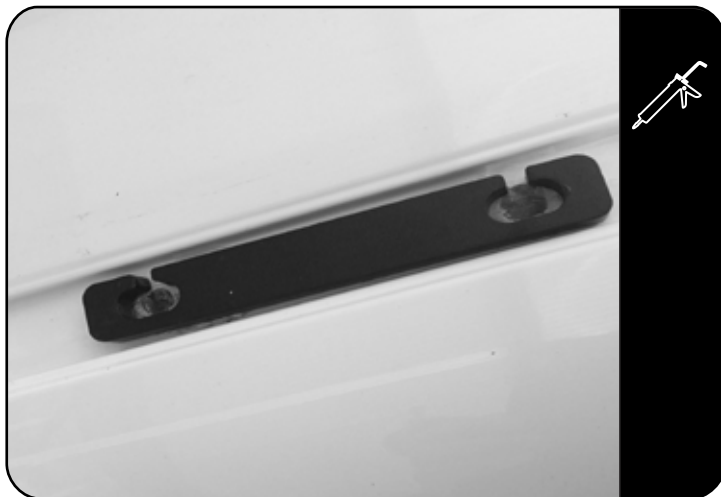



2 FIT AND SECURE

2.1

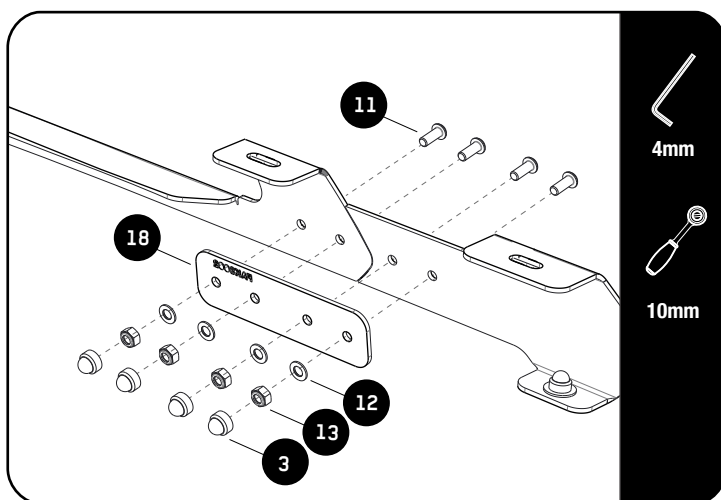
To achieve this installation you will need to remove the Interior roof lining and then the factory roof rails. 


2.2



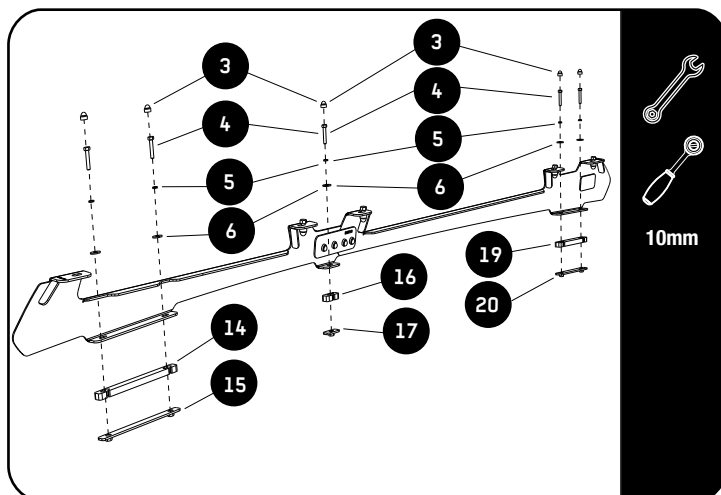
 Place a bead of sealant in and over each hole in the roof, then place a spacer over each hole.
Place item 14 over the rear holes, item 16 over the middle holes and item 19 over the front holes.


2.3



 Join the two sections of the foot rails with the supplied splice plate (Item 18). Fasten as shown with items 11, 12 and 13. Fit item 3 over each nut after fastening the bolts.

2.4

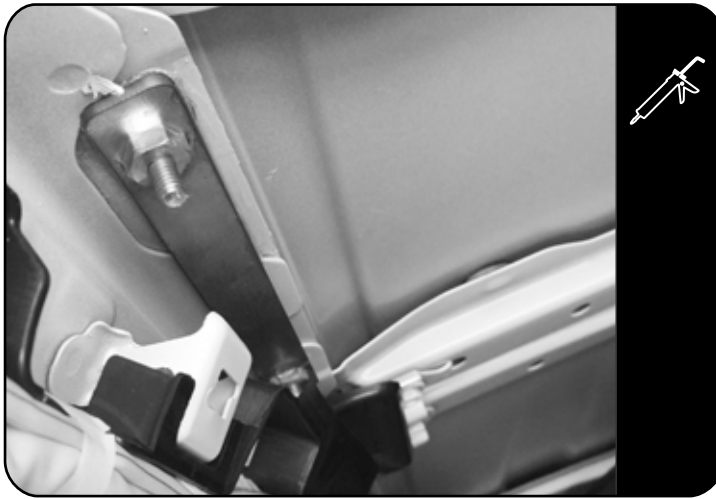


 Place the assembled foot rail onto the spacers and secure with items 4, 5 and 6 using the nut plates, item 15, 17 and 20 on the inside of the roof. Place a bead of sealant on the nut plates top side before securing them. See diagram 2.5.
Tighten all the nuts and bolts securing the foot rails to the vehicle's roof. Place a M6 Nut Cap (Item 1) over each of the M6 Nuts and Hex Bolts.

2

FIT AND SECURE

2.5



 Nut plate shown on the inner side of the roof.

3

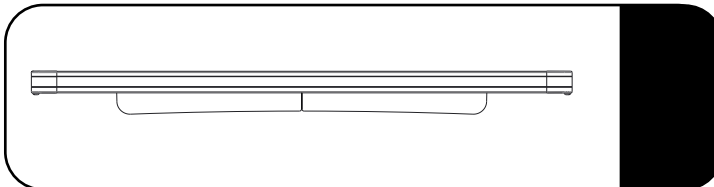
FIT AND SECURE

3.1

Refer to RRSUNI when assembling your Slimline II Tray.

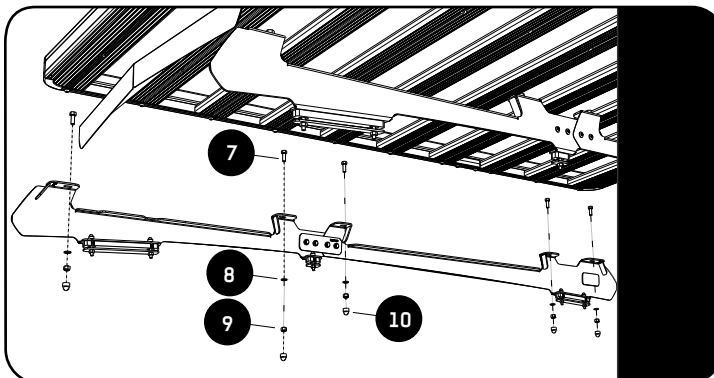


3.2



Make sure that the wind deflector is installed before you proceed to the next step.

3.3



Fit your roof rack to the foot rails with items 7, 8 and 9.

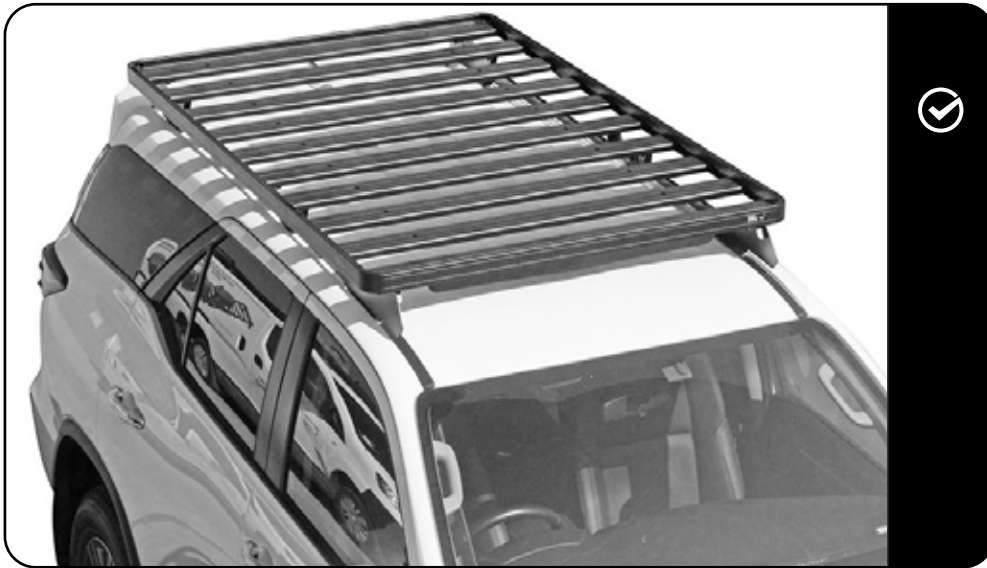
3.4

Centre the rack and tighten fully. Use M8 nut caps (Items 10) to finish off the nuts.

4

COMPLETION

4.1



Congratulations. You did it. Take a step back and admire your work!

5

INSTALL OTHER VEHICLE AND RACK ACCESSORIES

Now's the time to visit your favorite Front Runner Dealer in person or online.