

READ ME !

Thank you for purchasing a Front Runner Pro Bed Rack Recovery and Accessory Mount.
Before you start, take a moment to familiarize yourself with the Fitting Instructions and the included components.
Refer to Page 2 for a list of all the components, quantities and tools required.

IMPORTANT WARNING!

IT IS CRITICAL THAT ALL FRONT RUNNER PRODUCTS BE PROPERLY AND SECURELY ASSEMBLED AND ATTACHED TO YOUR VEHICLE. IMPROPER ATTACHMENT COULD RESULT IN AN AUTOMOBILE ACCIDENT, AND COULD CAUSE SERIOUS BODILY INJURY OR DEATH. YOU ARE RESPONSIBLE FOR ASSEMBLING AND SECURING ALL FRONT RUNNER PRODUCTS TO YOUR VEHICLE, CHECKING THE ATTACHMENTS PRIOR TO USE, AND PERIODICALLY INSPECTING THE PRODUCTS FOR ADJUSTMENT, WEAR AND DAMAGE. THEREFORE, YOU MUST READ AND UNDERSTAND ALL OF THE INSTRUCTIONS AND PRECAUTIONS SUPPLIED WITH YOUR FRONT RUNNER PRODUCT PRIOR TO INSTALLATION OR USE. IF YOU DO NOT UNDERSTAND ALL OF THE INSTRUCTIONS AND CAUTIONS, OR IF YOU HAVE NO MECHANICAL EXPERIENCE AND ARE NOT THOROUGHLY FAMILIAR WITH THE INSTALLATION PROCEDURES, YOU SHOULD HAVE THE PRODUCT INSTALLED BY A PROFESSIONAL INSTALLER OR OTHER QUALIFIED PERSONNEL.

NOTE: Front Runner will not be responsible for any damage caused by the failure to install the product according to these instructions.
Please call us if you have any questions about the installation of this product.



1 GET ORGANIZED

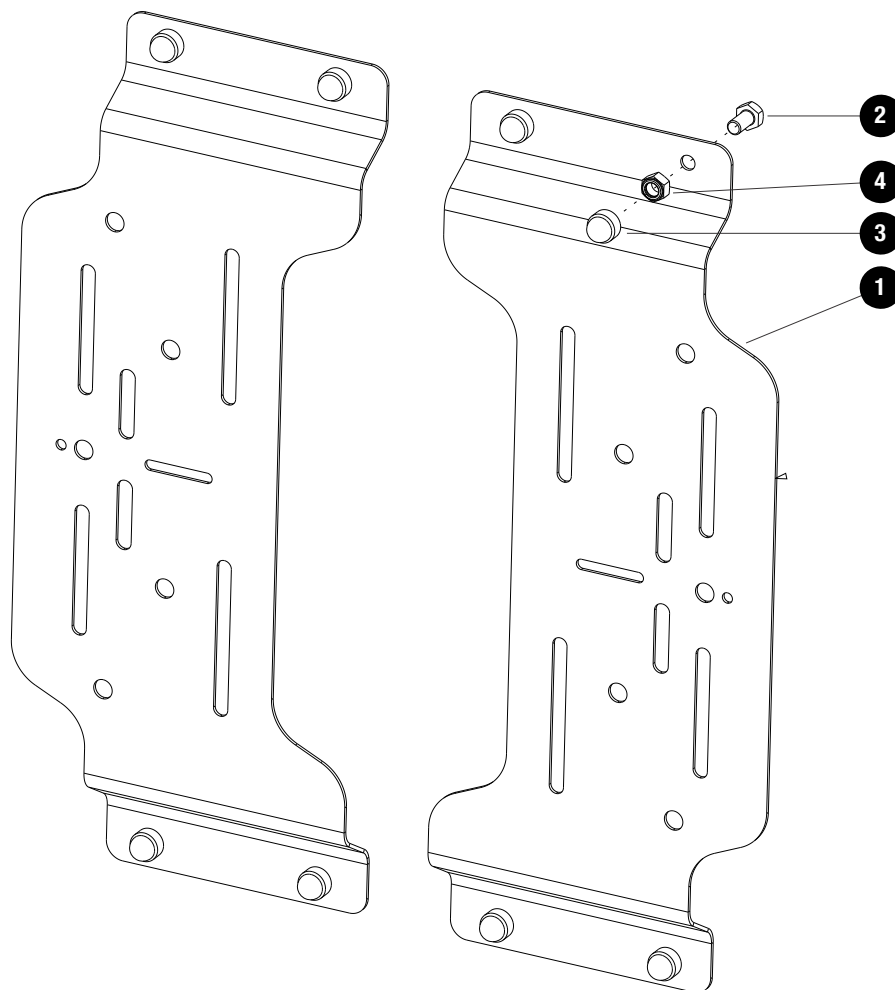
IN THE BOX

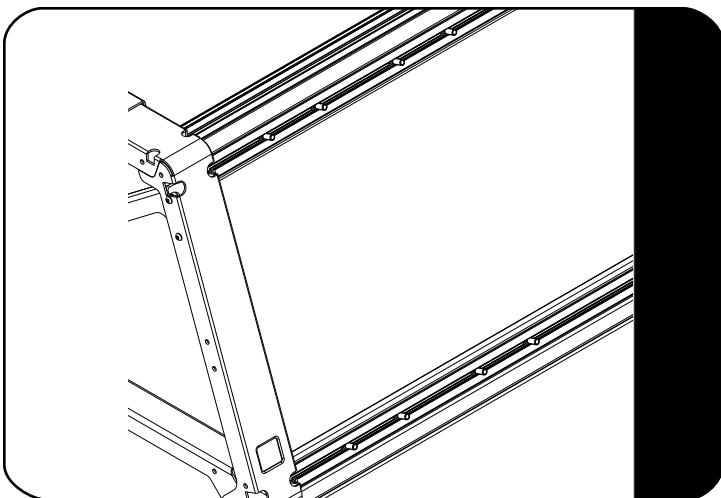
1	2 X	Mounting Plate
2	8 X	M8 x 16mm Hex Bolt
3	8 X	M8 Plastic Nut Cap
4	8 X	M8 Nyloc Nut

TOOLS NEEDED

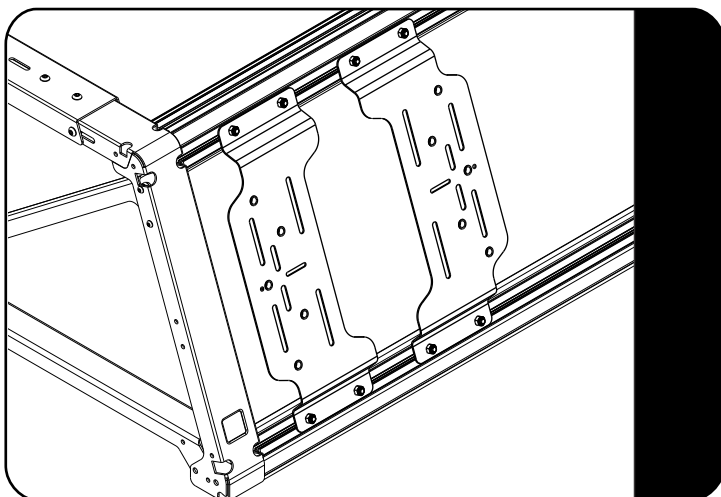


FIGURE 1.1

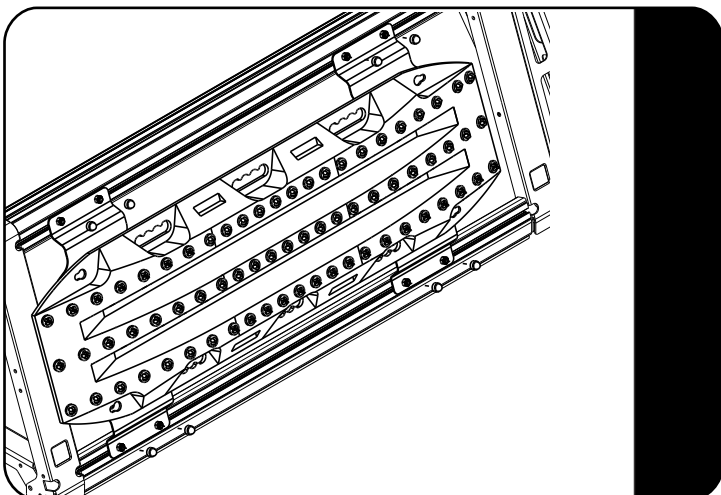


2**FIT AND SECURE****2.1**

Slide four M8 x 16 Hex Bolts (Item 2) into the top side profile of your Pro Bed Rack and four M8 x 16 Hex Bolts (Item 2) into the bottom side profiles of your Pro Bed Rack as seen in Fig 2.1.

2.2

Place the Mounting Plates (Item 1) onto the M8 x 16 Hex Bolts (Item 2) and loosely fasten the Nylock Nuts (Item 4).

2.3

MAXTRAX / TRED GT / TRED PRO Fitment

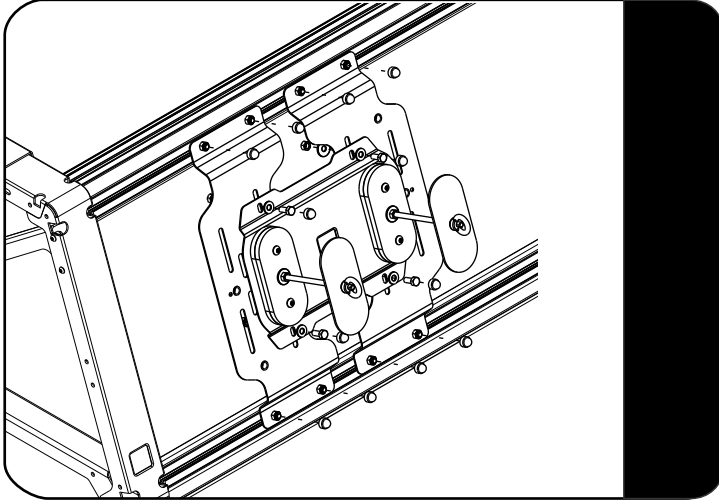
Space the Mounting Brackets (Item 1) to align with the MAXTRAX / TRED GT / TRED PRO mounting holes.

For MAXTRAX use either PBAC009 (Pro Bed Rack Recovery Device Mounting Hardware) or REQU120 (MAXTRAX Mounting Pin Set) to fasten the recovery board to the mounting plates.

For TRED GT/TRED PRO use PBAC009 (Pro Bed Rack Recovery Device Mounting Hardware).

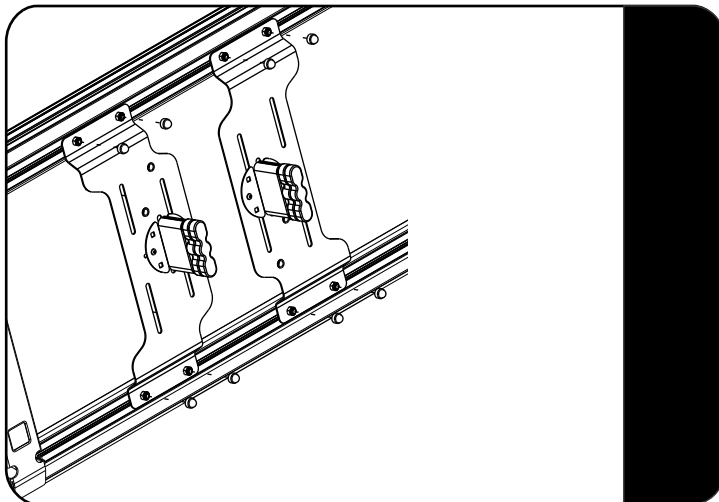
Once the Mounting Brackets are spaced correctly, tighten the M8 Nyloc Nuts (Item 4) and add the Plastic Nut Caps (Item 3) to the M8 Nyloc Nuts (Item 4).

2.4

**Universal Side Mount for Pro Water Tank Fitment**

Space the Mounting Brackets (Item 1) to align with the VACC099 (Universal Side Mount for Pro Water Tank) mounting holes. Use the mounting hardware supplied with VACC099 to fasten. Tighten the M8 Nyloc Nuts (Item 4) and add the Plastic Nut Caps (Item 3) to the M8 Nyloc Nuts (Item 4).

2.5

**Rotopax Fitment**

Mount the Rotopax Brackets to the Mounting Brackets (Item 1) using the hardware supplied with the Rotopax. Space the Mounting Brackets (Item 1) to align with the Rotopax mounting holes. Tighten the M8 Nyloc Nuts (Item 4) and add the Plastic Nut Caps (Item 3) to the M8 Nyloc Nuts (Item 4).

Note the orientation of the mounting plates for the Rotopax fitment.

3

FINISH

Congratulations! You did it. Take a step back and admire your work!

4

INSTALL OTHER VEHICLE AND RACK ACCESSORIES

Now's the time to visit your favorite Front Runner Dealer in person or online.

Be sure to tag us. We love to see our gear in action! #FrontRunnerOutfitters #BornToRoam

Share your adventures on: 