

START HERE! READ ME FIRST

Don't be a hero and muscle through this installation without reading these fitting instructions first! Improper installation of this gear may void certain aspects of your warranty.

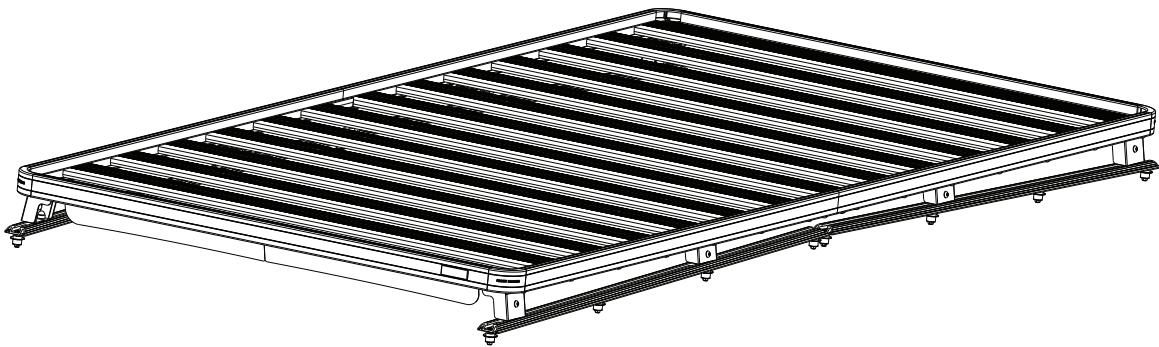
Before you begin, take a moment and open all your Front Runner rack kit boxes and gather the assembly instructions for the various components.

A complete kit will contain:

1. A Front Runner Mounting System specific to your vehicle
2. A Front Runner Rack Tray or Load Bar Slats

This document will guide you through the assembly of the mounting system and assist you in fitting the roof rack tray or load bars to your specific vehicle.

Please refer to the next page for a list of all the components, quantities and tools required.



IMPORTANT WARNING!

IT IS CRITICAL THAT ALL FRONT RUNNER PRODUCTS BE PROPERLY AND SECURELY ASSEMBLED AND ATTACHED TO YOUR VEHICLE. IMPROPER ATTACHMENT COULD RESULT IN AN AUTOMOBILE ACCIDENT, AND COULD CAUSE SERIOUS BODILY INJURY OR DEATH. YOU ARE RESPONSIBLE FOR ASSEMBLING AND SECURING ALL FRONT RUNNER PRODUCTS TO YOUR VEHICLE, CHECKING THE ATTACHMENTS PRIOR TO USE, AND PERIODICALLY INSPECTING THE PRODUCTS FOR ADJUSTMENT, WEAR AND DAMAGE. THEREFORE, YOU MUST READ AND UNDERSTAND ALL OF THE INSTRUCTIONS AND PRECAUTIONS SUPPLIED WITH YOUR FRONT RUNNER PRODUCT PRIOR TO INSTALLATION OR USE. IF YOU DO NOT UNDERSTAND ALL OF THE INSTRUCTIONS AND CAUTIONS, OR IF YOU HAVE NO MECHANICAL EXPERIENCE AND ARE NOT THOROUGHLY FAMILIAR WITH THE INSTALLATION PROCEDURES, YOU SHOULD HAVE THE PRODUCT INSTALLED BY A PROFESSIONAL INSTALLER OR OTHER QUALIFIED PERSONNEL.

NOTE: Front Runner will not be responsible for any damage caused by the failure to install the product according to these instructions.

Please call us if you have any questions about the installation of this product.

1

GET ORGANIZED

IN THE BOX

1	1 X	Slimline II Tray - 1255mm(W) X 2772mm(L)
2	2 X	Foot Set - 60mm 70mm
3	2 X	Foot Set - 40mm 50mm
4	2 X	Universal Track Sets
5	1 X	Foot Rail Installation Kit

TOOLS NEEDED

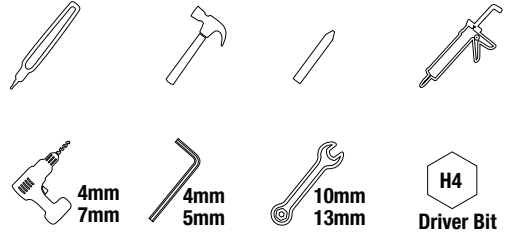
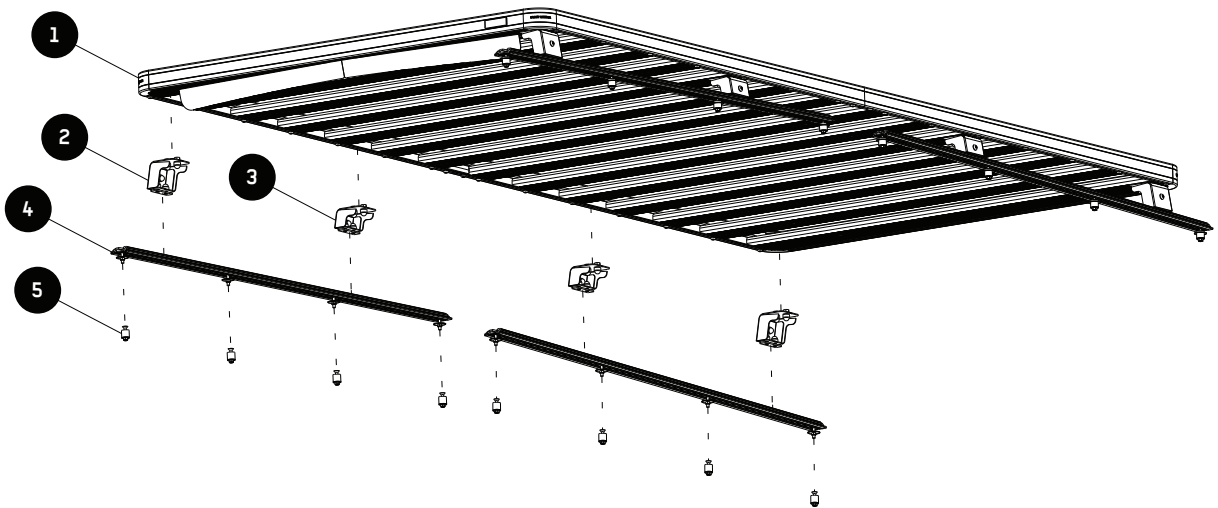
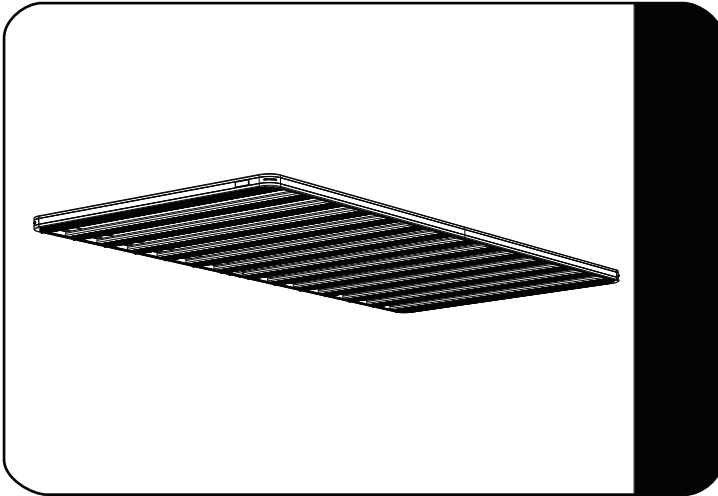


FIGURE 1.1

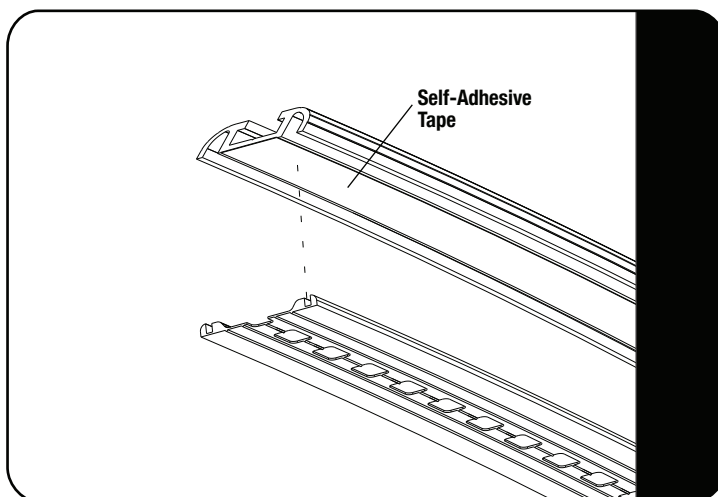


2.1



Assemble your Slimline II Tray, referring to the RRSUNI fitment guide.

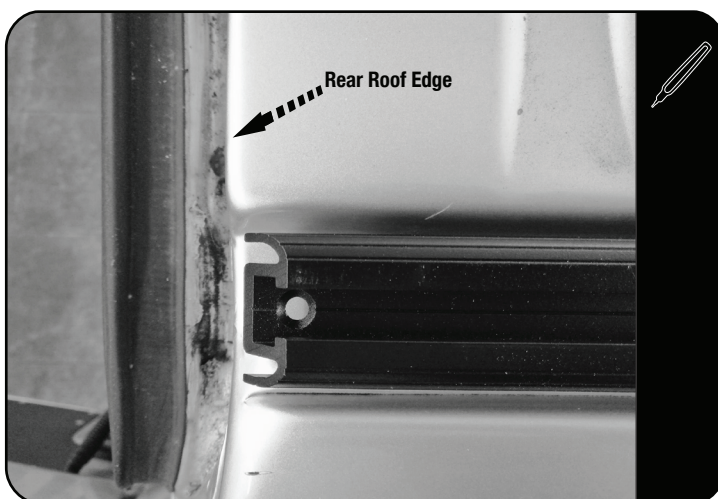
2.2



Refer to fitment guide TRAC002.

Remove the backing tape of the Self-Adhesive Tape on the bottom of the Tracks and secure the Rubber Strips to each Track.

2.3



Remove the Roof Lining inside the vehicle.

Place two Tracks in the LH and RH side roof ditches.

Align the rear Tracks with the rear roof edge as shown.

2.1



Place the front Tracks end-to-end with the rear Tracks as shown.
Mark the centre of all the holes of the tracks.
Remove the tracks.

2.2



Use a Centre Punch to mark the centre of each marking.
Using a 4mm drill bit, drill a pilot hole in the center of each of your punch markings. Open the holes with a 7mm drill bit.
Open the rear LH and RH holes, close to the the roof edge, using a 12mm drill bit.

2.3



Insert the M6 Button Head Bolt into the one side of the Jack Nut Tool. Loosely fit a Jack Nut to the Button Head Bolt as shown. Using the Jack Nut Tool and a M6 x 30 Button Head Bolt, insert the M6 Jack Nuts into the rear holes close to the rear roof edge. Place the assembly into the hole drilled. Using a Battery Powered Screw Driver and a H4 Driver Bit, set the Jack Nut into the hole while holding onto the handle of the Jack Nut Tool.




Make sure the Jack Nut has pulled up all the way to the inside skin of the roof panel.

Refer to RRAC905 VW T4 Transporter Installation Kit (Item 5) for the Jack Nuts.

2.4

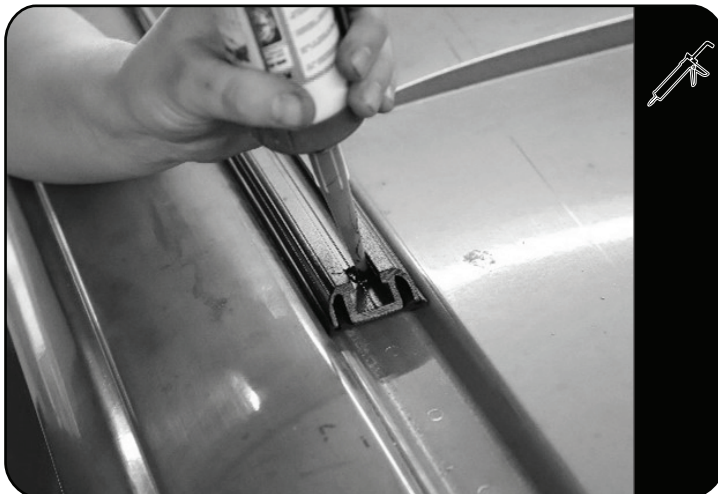



 Place a bead of silicone in and around each hole and Jack Nut. Position a Spacer over each hole and the two Jack Nuts. Place a bead of silicone on the top of each Spacer as shown.

 Insure the silicone cover the top and bottom surfaces of the spacer.

Refer to RRAC905 VW T4 Transporter Installation Kit for the Spacers.

2.5



 Place your tracks on top of the spacers centralizing the track holes with the holes drilled in the roof.

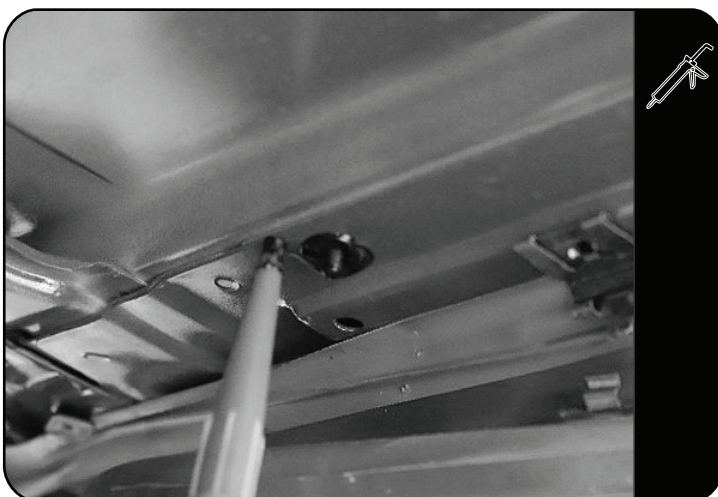
Place a bead of silicone inside each counter sunk of each track hole.

Place a bead of silicone on the thread of the M6x30 Counter Sink Screw.

Insert a M6x30 Counter Sink Screw through each track hole.

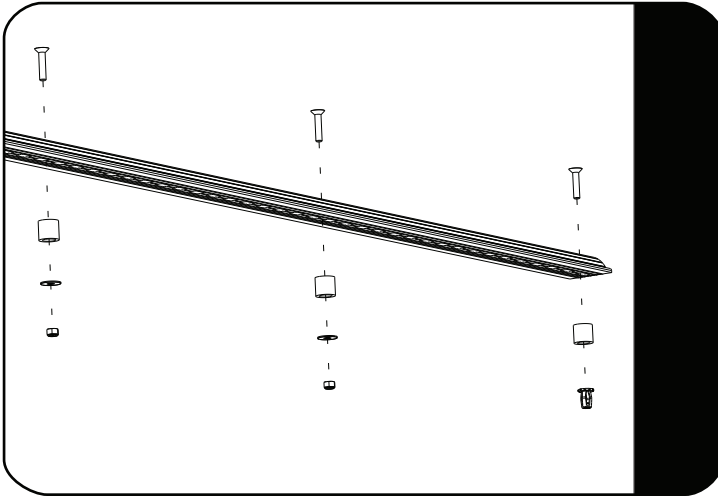
Loosely tighten the two rear M6x30 Counter Sink Screws.

2.6



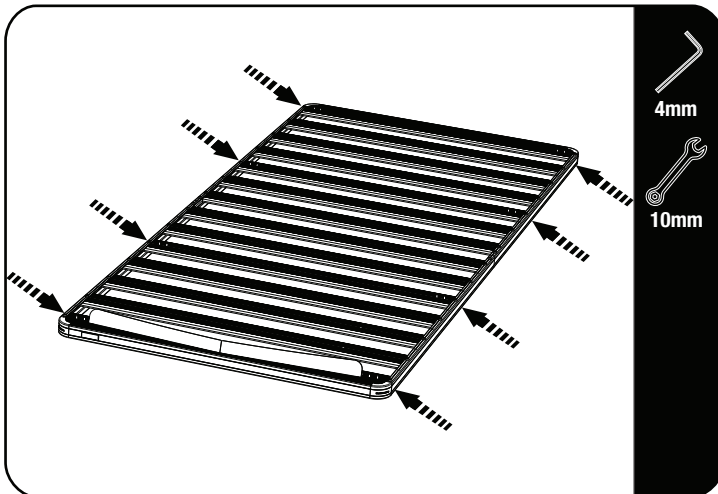
 On the inside of the vehicle, place a bead of silicone around each drilled hole.

2.7



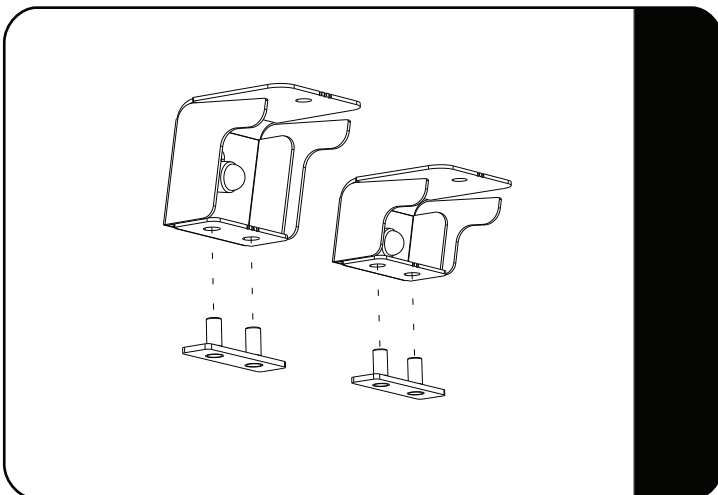
Secure the Tracks to the vehicle using the M6x30 Counter Sink Screws inserted, M6 Large Washers and M6 Nyloc Nuts.
Fully tighten all the M6 Counter Sink Screws.
Refit the vehicle interior roof lining.

2.8



Refer to fitment guide FASSUNI.
Flip the Tray so that the bottom of the Tray faces up.
Insert sixteen M8x16 Hex Bolts into the Slats machined slots as shown.
Refer to RRSUNI and fit your Wind Deflector.

2.9

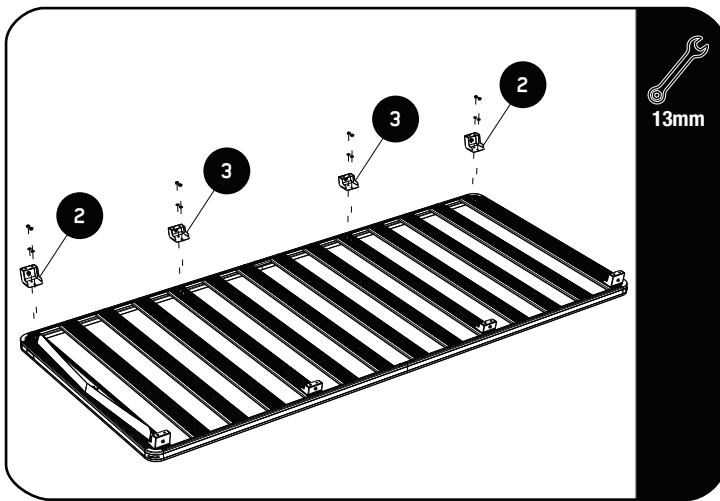


Remove the Stud Plates from all the Feet.

2

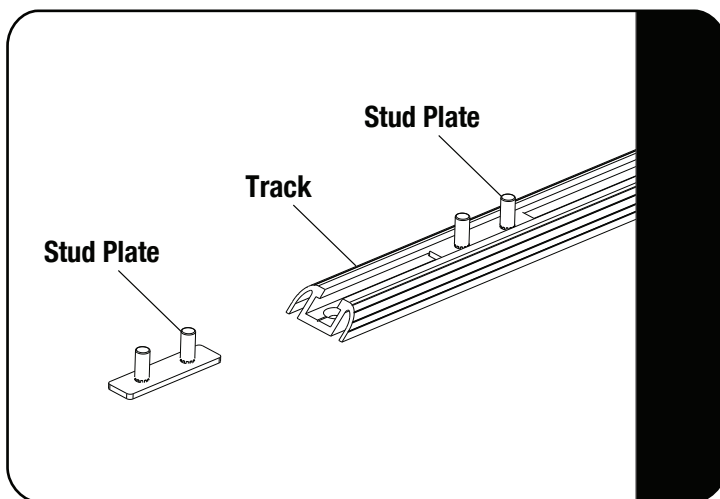
FIT AND SECURE

2.10



Loosley fit the two Foot Sets - 60mm 70mm (Item 2) to the front and rear slats as shown.
Loosley fit the two Foot Sets - 40mm 50mm (Item 3) to middle slats as shown.

2.11

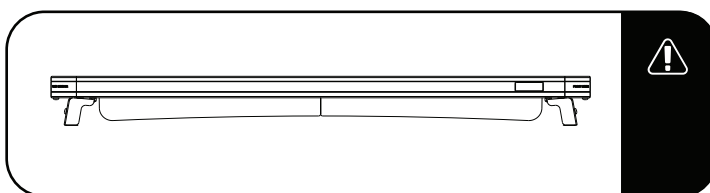


Before placing the rack onto the vehicle, slide two Stud Plates into each track in the approximate position where the Feet will rest on the tracks.

3

FIT AND SECURE

3.1

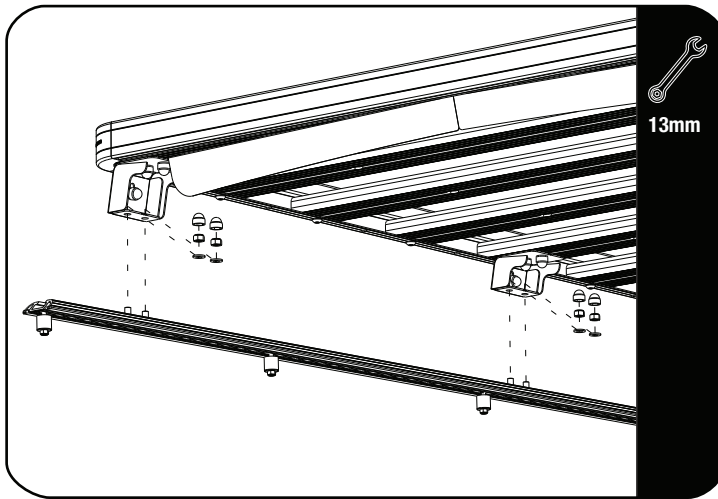


Make sure that the wind deflector is installed before you proceed to the next step.

3

FIT AND SECURE

3.2



Fit your roof rack to the Tracks using the Stud Plates, M8 x 16 x 1.6SS Flat Washers and M8 Nyloc Nuts shown.

3.3

Center the rack and fully tighten all fasteners. Finish off by placing M8 Nut Caps over all the M8 Nyloc Nuts.



4

INSTALL OTHER VEHICLE AND RACK ACCESSORIES

Now's the time to visit your favorite Front Runner Dealer in person or online.

IMPORTANT!

FRONT RUNNER RACK KITS OFTEN HAVE A HIGHER LOAD RATING THAN THE VEHICLES THEY ARE MOUNTED TO. PLEASE REFER TO YOUR SPECIFIC VEHICLE MANUFACTURER FOR A RECOMMENDED ROOF RATING. FRONT RUNNER CANNOT BE RESPONSIBLE FOR IMPROPER LOADING BEYOND THE VEHICLE MANUFACTURER'S STATED LOAD CAPACITY.

Be sure to tag us. We love to see our gear in action! #FrontRunnerOutfitters #BornToRoam

Share your adventures on: 