

## READ ME !

Thank you for purchasing a Front Runner Land Rover Defender (2020-Current) Side Mount Ladder.  
Before you start, take a moment to familiarize yourself with the Fitting Instructions and the included components.  
Refer to Page 2 for a list of all the components, quantities and tools required.

## IMPORTANT WARNING!

IT IS CRITICAL THAT ALL FRONT RUNNER PRODUCTS BE PROPERLY AND SECURELY ASSEMBLED AND ATTACHED TO YOUR VEHICLE. IMPROPER ATTACHMENT COULD RESULT IN AN AUTOMOBILE ACCIDENT, AND COULD CAUSE SERIOUS BODILY INJURY OR DEATH. YOU ARE RESPONSIBLE FOR ASSEMBLING AND SECURING ALL FRONT RUNNER PRODUCTS TO YOUR VEHICLE, CHECKING THE ATTACHMENTS PRIOR TO USE, AND PERIODICALLY INSPECTING THE PRODUCTS FOR ADJUSTMENT, WEAR AND DAMAGE. THEREFORE, YOU MUST READ AND UNDERSTAND ALL OF THE INSTRUCTIONS AND PRECAUTIONS SUPPLIED WITH YOUR FRONT RUNNER PRODUCT PRIOR TO INSTALLATION OR USE. IF YOU DO NOT UNDERSTAND ALL OF THE INSTRUCTIONS AND CAUTIONS, OR IF YOU HAVE NO MECHANICAL EXPERIENCE AND ARE NOT THOROUGHLY FAMILIAR WITH THE INSTALLATION PROCEDURES, YOU SHOULD HAVE THE PRODUCT INSTALLED BY A PROFESSIONAL INSTALLER OR OTHER QUALIFIED PERSONNEL.

**NOTE:** Front Runner will not be responsible for any damage caused by the failure to install the product according to these instructions.  
Please call us if you have any questions about the installation of this product.



# 1 GET ORGANIZED

## IN THE BOX

- 1 1 X Ladder Top Hat
- 2 2 X Ladder Sides
- 3 3 X Ladder Rungs
- 4 8 X M6x16 Flanged Button Head Screws
- 5 8 X M6 Nyloc Nut
- 6 8 X M6 Nut Cap
- 7 2 X 10mm Spacer
- 8 2 X M8x25 Hex Head Bolt
- 9 2 X M8x16x1.6 Flat Washer
- 10 2 X M8 Nyloc Nut
- 11 2 X M8 Nut Cap
- 12 6 X M6x25 Thread Forming Screw
- 13 1 X Ladder Bottom Mount Right Hand Side
- 14 1 X Main Bottom Mount
- 15 1 X Ladder Bottom Mount Left Hand Side
- 16 2 X M10 Flat Washer
- 17 2 X M10X40 Hex Head Bolt
- 18 2 X 20X18 Spacer
- 19 2 X Foam Washer

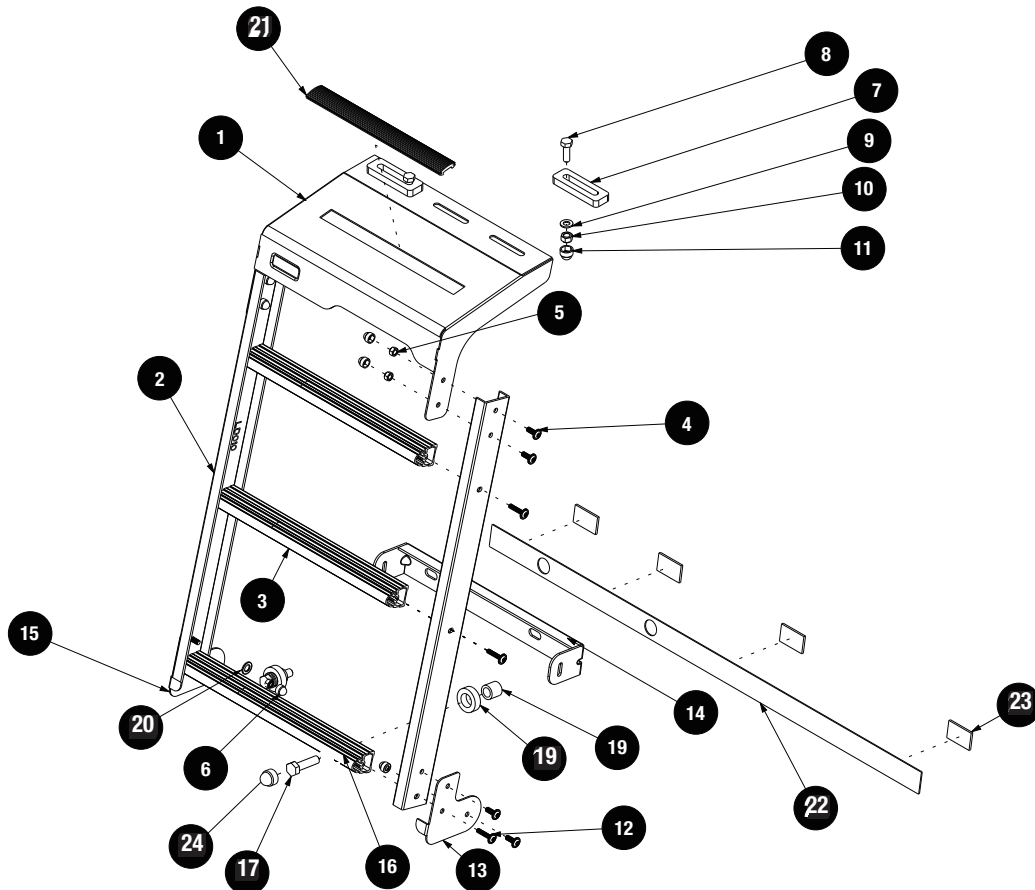
## IN THE BOX

- 20 2 X M6 x 12 x 1 Flat Washer
- 21 1 X 240mm Rubber Step
- 22 1 X Trim Cover
- 23 4 X VHB Tape Pieces.
- 24 2 X M10 Nut Caps

## TOOLS NEEDED



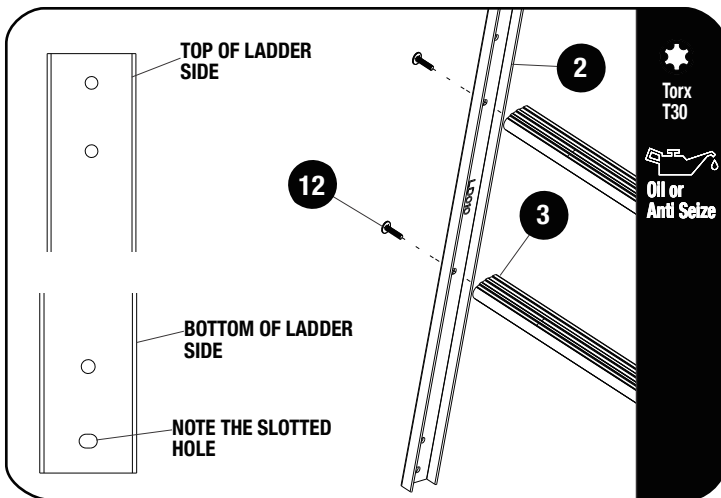
FIGURE 1.1



## 2

## FIT AND SECURE

2.1



Assemble the Ladder Rungs (Item 3) to the Ladder Sides (Items 2) using M6 x 25 Thread Forming Screws (Item 12) as shown.

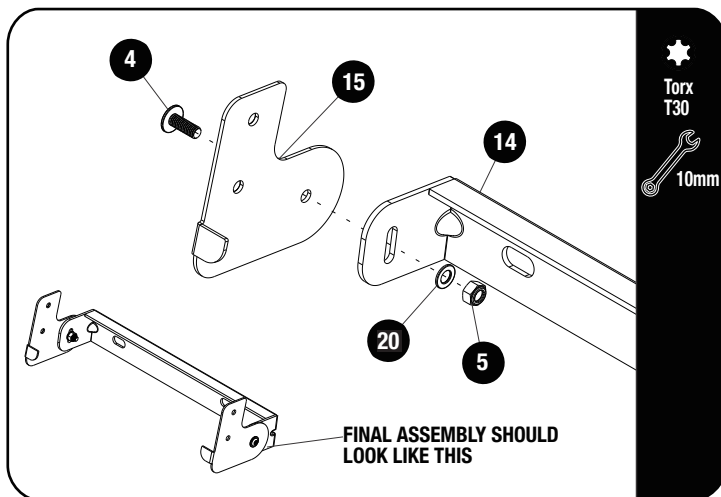
Take note the bottom of the Ladder side is where the most outer hole is slotted.

Do not assemble the Bottom Ladder Rung yet.



Apply a little oil on screw threads before inserting. Note these are Thread Forming Screws.

2.2

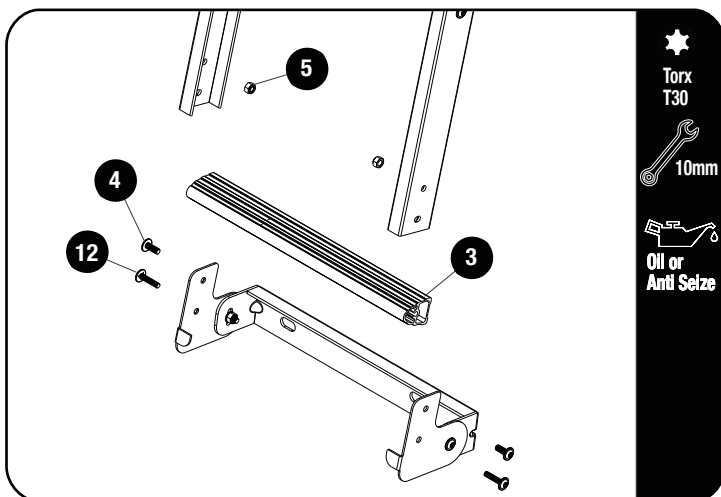


Loosely assemble the Bottom Bracket (Item 14) to the Bottom Bracket Sides (Item 13 & 15) using the M6 x 12 Flanged Button Head Screws (Item 4) and M6 Nyloc Nuts (Item 5)



Do Not Tighten, as Bracket will need to be adjusted.

2.3



Assemble the Bottom Ladder Rung (Item 3) and the Bottom Bracket you assembled in step 2.2 the Ladder Sides and Ladder Rungs you assembled in step 2.1 using M6 x 25 Thread Forming Screws (Item 12) and M6 x 12 Flanged Button Head Screws (Item 4) and M6 Nyloc Nuts (Item 5)

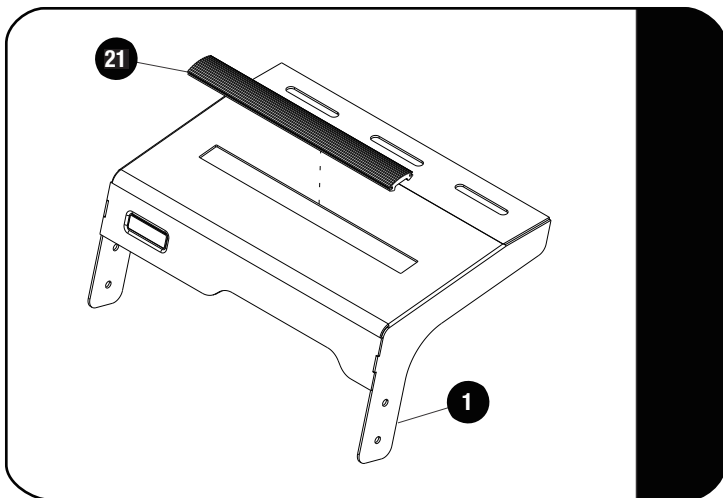


Apply a little oil on screw threads before inserting. Note these are Thread Forming Screws.

2

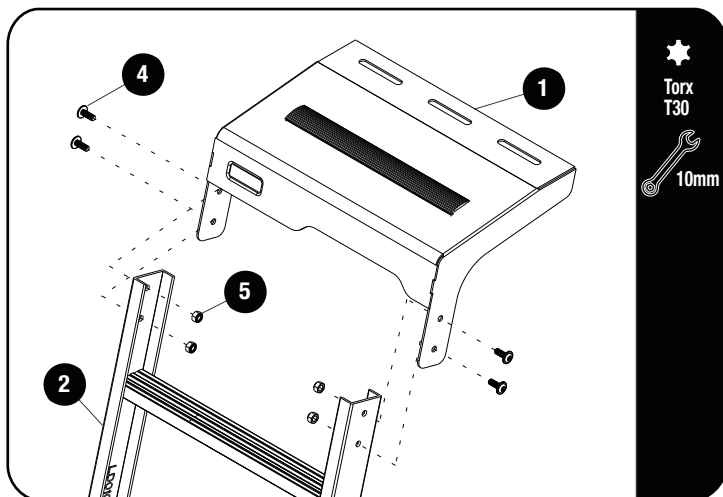
**FIT AND SECURE**

2.4



🔄 Inset the Rubber Step (Item 22) into the ladder Top Hat (Item 1), cut off the excess rubber if there is any.

2.5



🔄 Loosely assemble the Ladder Top (Item 1) to the Ladder Sides (Item 2) using M6 x 16 Flanged Button Head Screws and M6 Nyloc Nuts (Items 4 & 5) as shown.

2.6



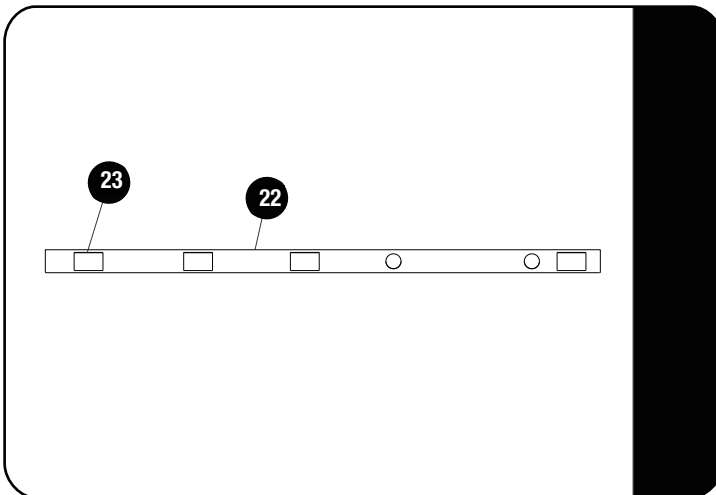
🔄 Remove the Plastic Trim by using a Plastic Panel Tool or similar.

2.7



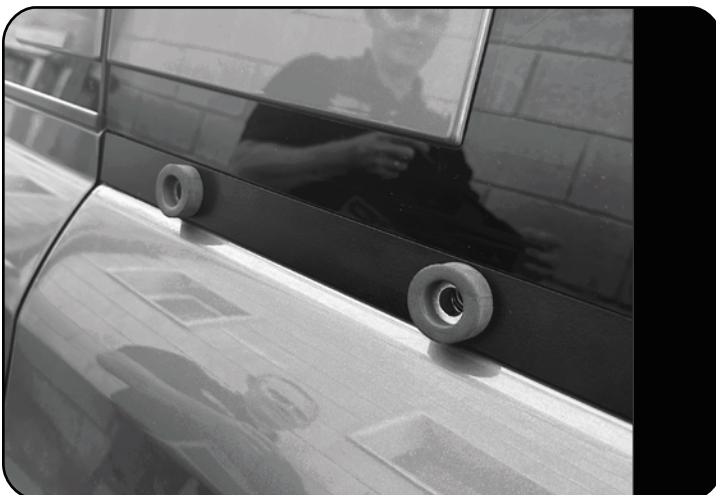
Remove Sealing Patch that is located behind the plastic trim shown in Fig 2.6.

2.8



Place the 4 VHB Tape Patches (Item 23) on the Trim Cover (Item 22) as shown.

2.9



Fit the Trim cover (Item 22).  
Insert Spacer 20 x 18 & Foam Washer (Items 18 & 19) into the holes in the new Trim Cover.

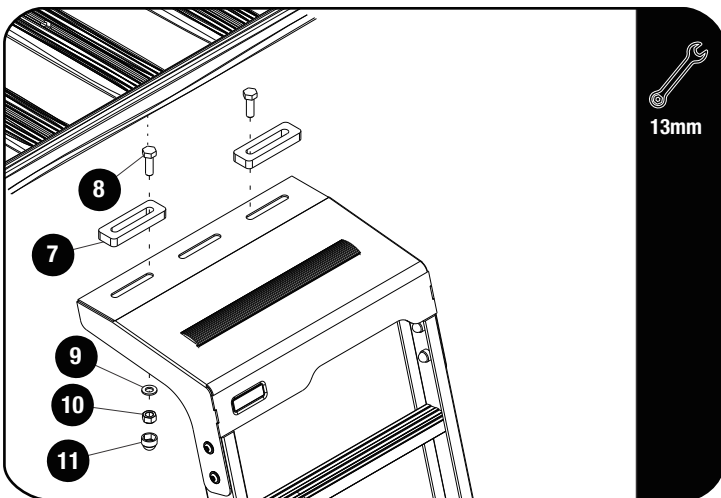


Line up the holes in the new trim piece with the holes you opened in step 2.7

2

FIT AND SECURE

2.10

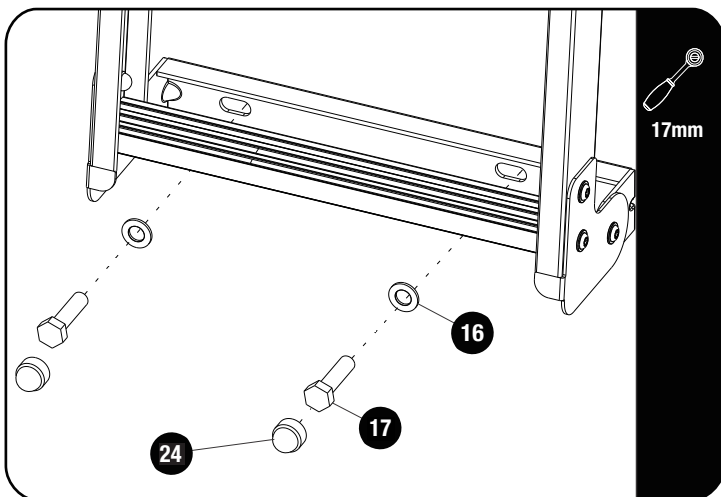


Using the bottom holes as reference, choose the corresponding roof rack slats.

Fit your Ladder to your Roof Rack using M8 x 25 hex Bolt, Plastic Spacer 6mm, M8 x 16 x 1.6 Flat Washer, M8 Nyloc Nut, (Items 8, 7, 9 & 10) as shown.

Do not fully tighten as the ladder needs to be able to slide in the T-Slot for adjustment.

2.11

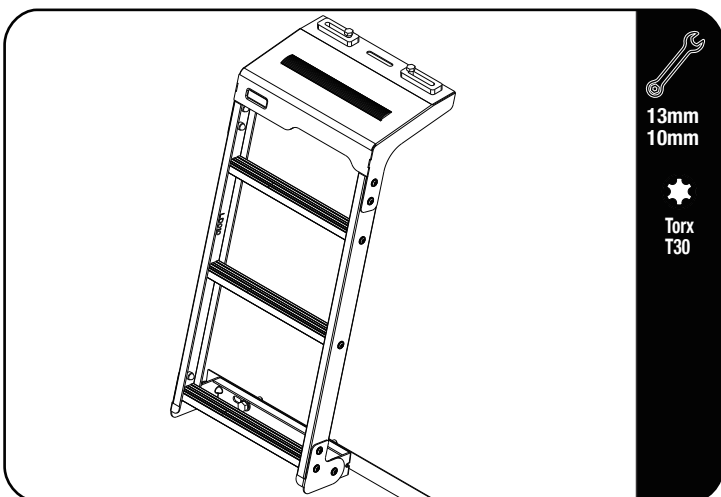


Secure your Ladder to your vehicle using M10 x 40 Hex Bolt and M10 Flat Washer (Items 16 & 17).

Fully Tighten.

Place M10 Nut Caps (Items 17) on all Nyloc Nuts.

2.12



Tighten all the bolts and nuts and the put Nutcaps on all the nyloc Nuts (Items 11 & 6)

3

## COMPLETION

3.1



**Congratulations! You did it. Take a step back and admire your work!**

4

## INSTALL OTHER VEHICLE AND RACK ACCESSORIES

Now's the time to visit your favorite Front Runner Dealer in person or online.

**Be sure to tag us. We love to see our gear in action! #FrontRunnerOutfitters #BornToRoam**

**Share your adventures on:** 