**READ ME !** 

Thank you for purchasing a Front Runner Land Rover Defender 90 / 110 Ladder.

Before you start, take a moment to familiarize yourself with the Fitting Instructions and the included components.

Refer to Page 2 for a list of all the components, quantities and tools required.

**IMPORTANT WARNING!** 

IT IS CRITICAL THAT ALL FRONT RUNNER PRODUCTS BE PROPERLY AND SECURELY ASSEMBLED AND ATTACHED TO YOUR VEHICLE. IMPROPER ATTACHMENT COULD RESULT IN AN AUTOMOBILE ACCIDENT, AND COULD CAUSE SERIOUS BODILY INJURY OR DEATH. YOU ARE RESPONSIBLE FOR ASSEMBLING AND SECURING ALL FRONT RUNNER PRODUCTS TO YOUR VEHICLE, CHECKING THE ATTACHMENTS PRIOR TO USE, AND PERIODICALLY INSPECTING THE PRODUCTS FOR ADJUSTMENT, WEAR AND DAMAGE. THEREFORE, YOU MUST READ AND UNDERSTAND ALL OF THE INSTRUCTIONS AND PRECAUTIONS SUPPLIED WITH YOUR FRONT RUNNER PRODUCT PRIOR TO INSTALLATION OR USE. IF YOU DO NOT UNDERSTAND ALL OF THE INSTRUCTIONS AND CAUTIONS, OR IF YOU HAVE NO MECHANICAL EXPERIENCE AND ARE NOT THOROUGHLY FAMILIAR WITH THE INSTALLATION PROCEDURES, YOU SHOULD HAVE THE PRODUCT INSTALLED BY A PROFESSIONAL INSTALLER OR OTHER QUALIFIED PERSONNEL.

**NOTE:** Front Runner will not be responsible for any damage caused by the failure to install the product according to these instructions.

Please call us if you have any questions about the installation of this product.



# 1 GET ORGANIZED

## IN THE BOX

1	2 X	Ladder Side
2	1 X	Ladder Top Assembly
3	3 X	Ladder Step
4	1 X	Support Bracket
5	2 X	M8 x 35 Hex Head Bolt
6	4 X	PVC Washer 24.5 x 2.5
7	2 X	M8 x 25 x 2 Flat Washer
8	2 X	M8 Nyloc Nut
9	2 X	M8 Nut Cap
10	6 X	M6 x 25 Thread Forming Screw
11	6 X	M6 x 16 Flange Button Head
12	6 X	M6 Nyloc Nut
13	1 X	Bottom Step
14	2 X	M10 x 80 Hex Head Bolt
15	1 X	M10 x 100 Hex Head Bolt
16	1 X	Aluminium Spacer
17	1 X	M10 Flat Washer

## IN THE BOX

18	1 X	M10 x 30 x 3 Flat Washer
19	2 X	M10 Nyloc Nut
20	6 X	M6 Nut Cap
21	2 X	M10 Nut Cap
22	2 X	M6 x 19 x 1 Flat Washer
23	2 X	M6 Spring Washer
24	2 X	M6 x 60 Cap Screw

## TOOLS NEEDED

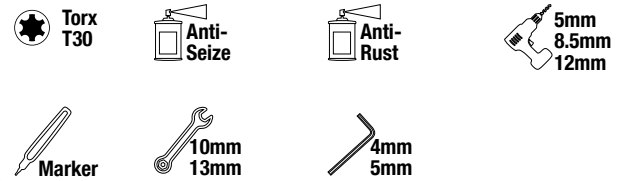
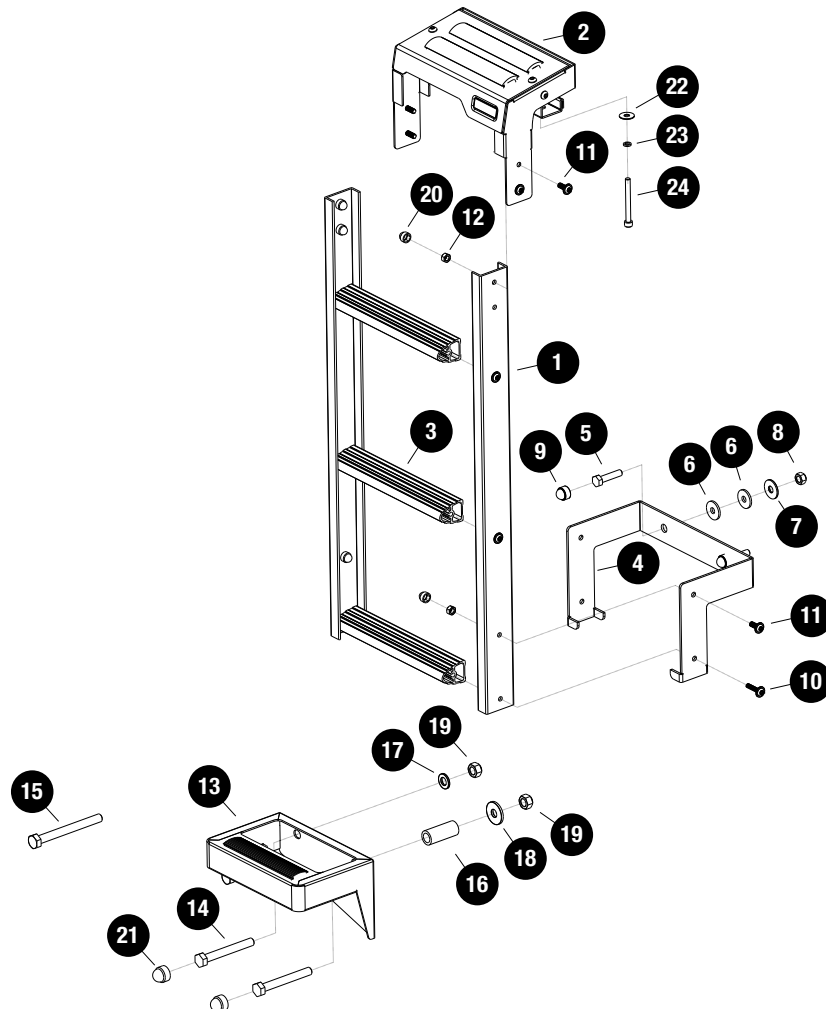


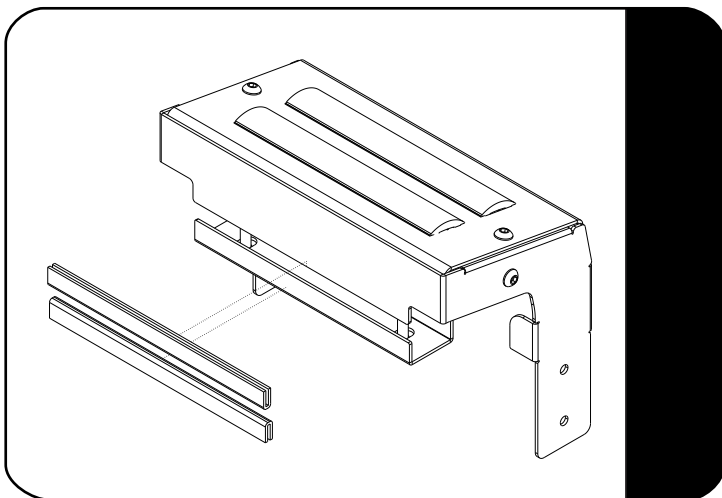
FIGURE 1.1



## 2

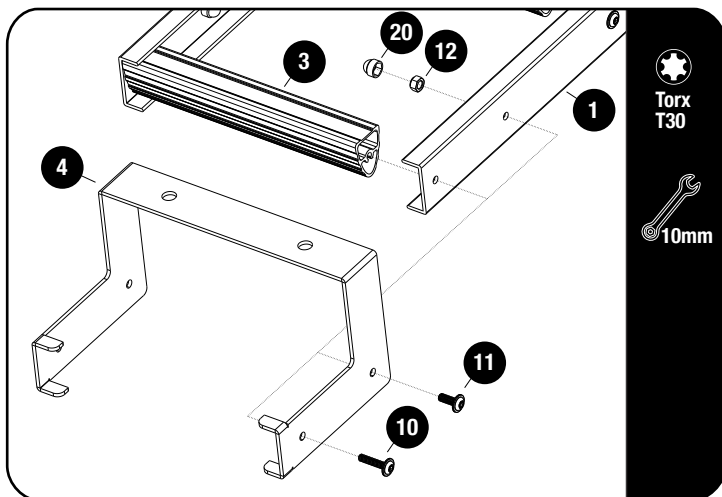
## FIT AND SECURE

2.1



Ensure that the two pieces of Pinch Weld are assembled to the edges of the Ladder Top and the Clamp as shown.

2.2



Apply a little anti-seize on screw threads before inserting. Note these are thread forming screws.



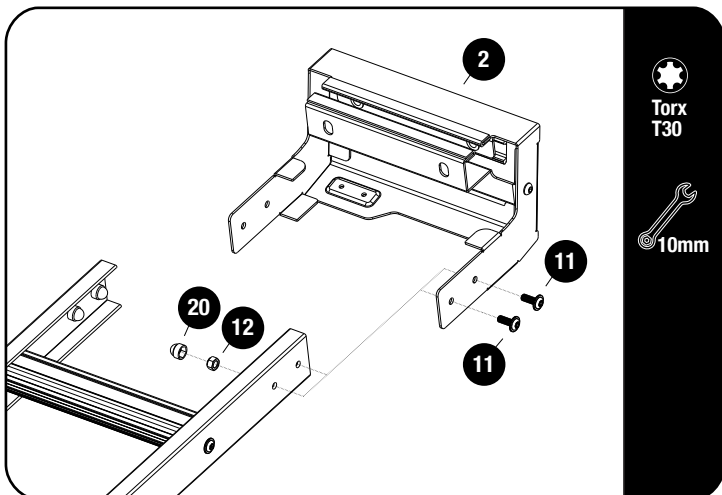
Assemble the three Ladder Rungs and Support Bracket (Item 3 & 4) to the Ladder Sides (Item 1) using M6 x 16 Flange Button Head Bolts, M6 Nyloc Nuts and M6 x 25 Thread Forming Screws (Items 10, 11 & 12) as shown.



**Note:**  
The Thread Forming Screws are used for the Ladder Rungs

Place M6 Nut Caps (Item 20) on all the Nyloc Nuts.

2.3



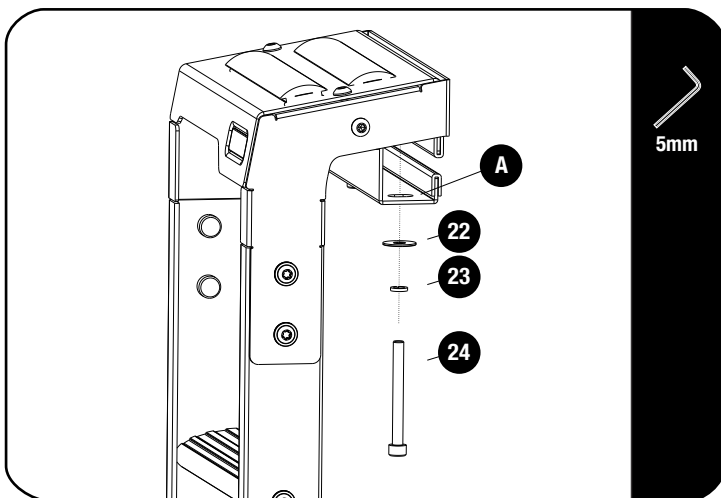
Assemble the Ladder Top Assembly from 2.1 to the Ladder Sides using M6 x 16 Flange Button Head Bolts and M6 Nyloc Nuts (Items 11 & 12) as shown.

Place M6 Nut Caps (Item 20) on all the Nyloc Nuts.

2

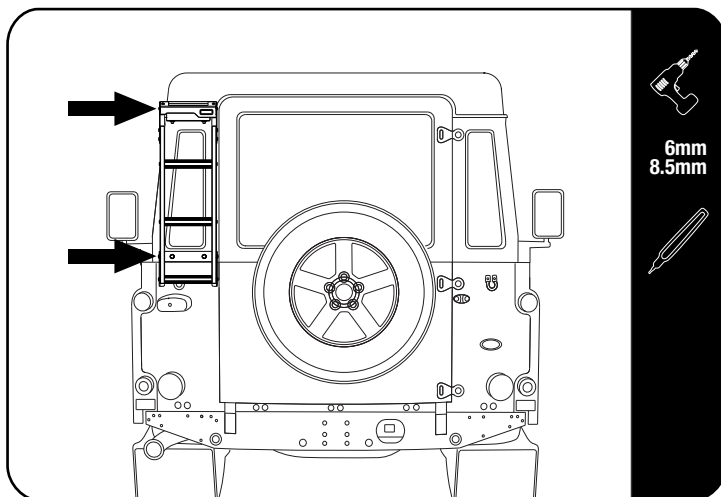
**FIT AND SECURE**

2.4



Loosely insert two M6 x 60 Cap Screws with M6 SS Spring Washers and M6 x 19 x 1SS Flat Washers (Items 22, 23 & 24) through the Clamp (A) into the Ladder Top (Item 2) as shown.

2.5



Swing open the Clamp. Fit the top assembly into vehicle's gutter.

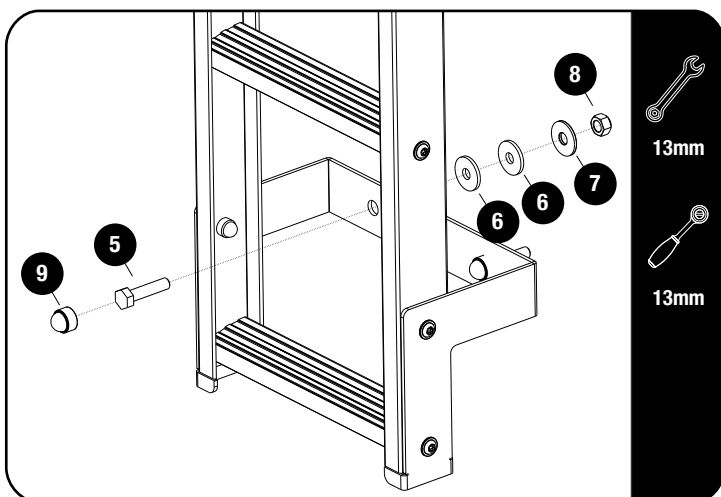
Align the Ladder with the edge of the door.

Inside the vehicle, remove the left rear window cover and speaker box.

Check door clearance and make sure the ladder is aligned straight with the door.

Mark the bottom two holes of the Ladder on the vehicle's body and remove the Ladder. Using a drilling machine and a 6mm drill bit, drill two pilot holes on your markings. Change to a 8.5mm drill bit and drill the holes to 8.5mm.

2.6



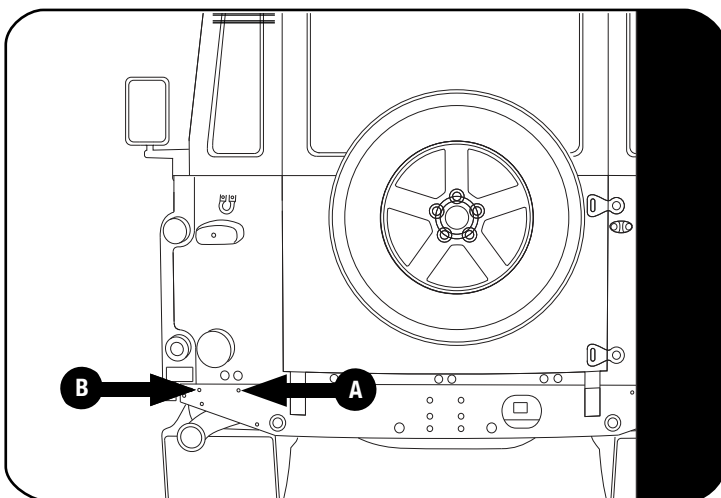
Place the ladder back onto the vehicle and line up the holes in the bottom of the Ladder with the holes drilled in 2.5.

Insert two M8 x 35 Hex Bolts (Item 5) through the holes in the Ladder. Place the two M8 PVC Washers (Item 6) between the ladder and the vehicle, place the other two on the inside of the vehicle. Fit the M8 Flat Washers (Item 7) and secure with the M8 Nyloc Nuts (Item 8).

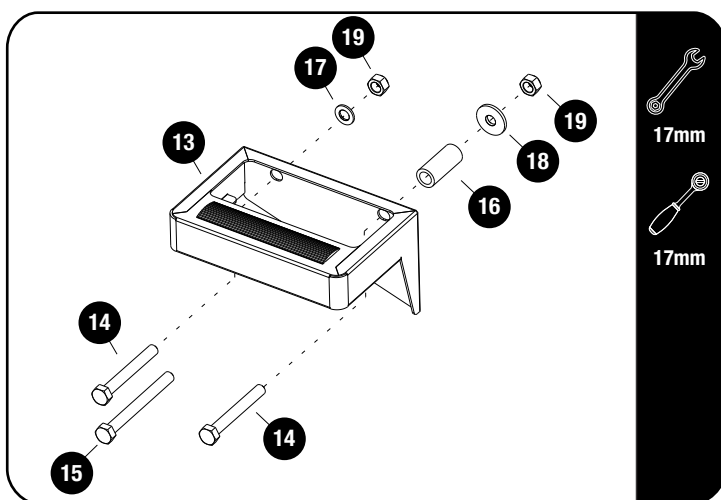
Fully tighten the two M6 x 60 Cap Screws clamping the Ladder to the gutter.

Refit the rear window and speaker box cover removed in 2.5.

Place M8 Nut Caps (Item 9) on the bolt heads.

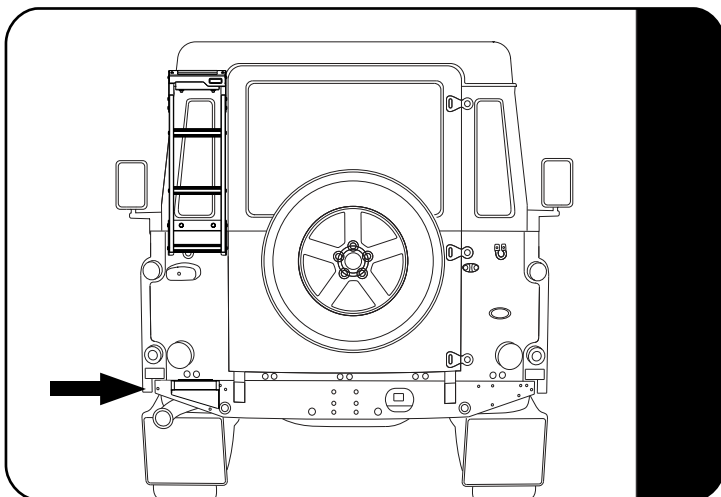
**2****FIT AND SECURE****2.7**

Remove the two original bolts from the bumper (A + B) and place the Bottom step (Item 13) against the body, and align with the two holes in the bumper as shown.

**2.8**

Refer to 2.7 and insert the M10 x 80 Hex Bolt (Item 14) into the right hole marked "A". Behind the bumper insert the Spacer (Item 16) between the bumper and the "Tab" attached to the body/bumper. Guide the Hex Bolt through the Spacer and loosely fasten using a M10 x 30 x 3 Flat Washer and M10 Nyloc Nut (Item 18 & 19).

For the left side marked "B", insert the M10 x 80 Hex Bolt & loosely fasten using a M10 Flat Washer and M10 Nyloc Nut (Item 17 & 19). If the original bolt went through the chassis and the seat belt support bar, use the M10 x 100 Hex Bolt (Item 15).

**2.9**

Align the Bottom step and Fully tighten all bolts.

**3**

### **FINISH**

**Congratulations! You did it. Take a step back and admire your work!**

**4**

### **INSTALL OTHER VEHICLE AND RACK ACCESSORIES**

**Now's the time to visit your favorite Front Runner Dealer in person or online.**

**Be sure to tag us. We love to see our gear in action! #FrontRunnerOutfitters #BornToRoam**

**Share your adventures on:** 